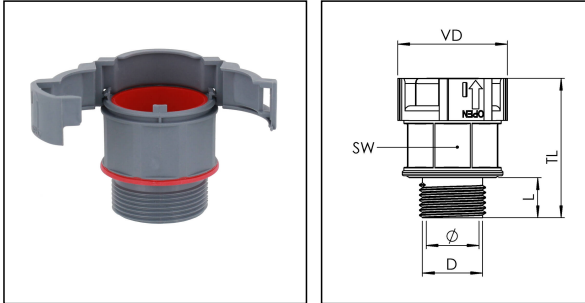


## EBFS-48-50-BG

Conduit fitting, straight, non-metallic, RAL 7031, NW 48 / M50



Products may differ in size, colour and appearance to those shown. If you require further information or customisation, please contact us directly.



<b>Material Conduit fitting</b>	polyamide UL94-V0
<b>Material Connection thread</b>	polyamide UL94-V0
<b>Material sealing gasket</b>	TPU
<b>Protection class</b>	IP68, IP66
<b>Temp. range min</b>	-40 °C
<b>Temp. range max</b>	100 °C
<b>Operational areas</b>	EN 45545 - Railway
<b>NW</b>	48
<b>Thread type</b>	M
<b>Ø Connection thread D</b>	50
<b>Lead</b>	1,5
<b>Length screw-in thread L</b>	16 mm
<b>Ø closure VD</b>	68,1 mm
<b>Ø inside</b>	42,5 mm
<b>Key width SW</b>	60 mm
<b>Total length TL</b>	56,8 mm
<b>Type of conduit fitting</b>	straight
<b>UL 1696</b>	Yes
<b>Product Color</b>	RAL 7031
<b>Type</b>	EBFS-48-50-BG
<b>Order no. RAL 7031</b>	10106858
<b>Packing unit</b>	5
<b>EAN number</b>	4007686033069
<b>Tariff number</b>	39174000
<b>ETIM-Classification</b>	EC001176

Your Contact:

WISKA India Pvt. Ltd.

Mr. Omkar Ashar · Unit No.247/248,Raheja Tesla Industrial District II , Edison Bldg No.-1A,  
Plot No.GEN2/1/C/PART, TTC Industrial Area, MIDC, Juinagar, Navi Mumbai 400705, India

☎ +91-22-4967-1438 · ☎ +91-22-4967-1439 · o.ashar@wiska.in · www.wiska.in

**Remarks:**

UL approval only in conjunction with UL approved corrugated conduits

**Recommended accessories**

<b>BCAV-S-48-BG</b>	10107103
<b>BCIV-S-48-BG</b>	10107119
<b>BCA-48-D-BG</b>	10107133
<b>BCAV-48-D-BG</b>	10107147
<b>BCA-S-48-BG</b>	10109178
<b>BCAB-L-48-BG</b>	10109198
<b>BCAV-H-48-BG</b>	10109214
<b>BCIB-H-48-BG</b>	10109237

12.05.2026

**Your Contact:**

**WISKA India Pvt. Ltd.**

Mr. Omkar Ashar · Unit No.247/248,Raheja Tesla Industrial District II , Edison Bldg No.-1A,  
Plot No.GEN2/1/C/PART, TTC Industrial Area, MIDC, Juinagar, Navi Mumbai 400705, India

☎ +91-22-4967-1438 · ☎ +91-22-4967-1439 · o.ashar@wiska.in · www.wiska.in



Your Contact:

**WISKA India Pvt. Ltd.**

Mr. Omkar Ashar · Unit No.247/248,Raheja Tesla Industrial District II , Edison Bldg No.-1A,  
Plot No.GEN2/1/C/PART, TTC Industrial Area, MIDC, Juinagar, Navi Mumbai 400705, India

☎ +91-22-4967-1438 · ☎ +91-22-4967-1439 · o.ashar@wiska.in · www.wiska.in

Other technical data on request / subject to change without notice