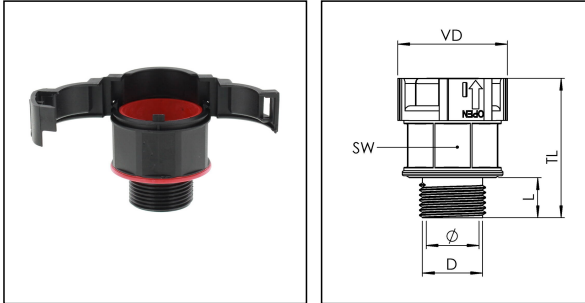


## EBFS-17-25-BK

Conduit fitting, straight, non-metallic, RAL 9005, NW 17 / M25



Products may differ in size, colour and appearance to those shown. If you require further information or customisation, please contact us directly.



<b>Material Conduit fitting</b>	polyamide UL94-V0
<b>Material Connection thread</b>	polyamide UL94-V0
<b>Material sealing gasket</b>	TPU
<b>Protection class</b>	IP68, IP66
<b>Temp. range min</b>	-40 °C
<b>Temp. range max</b>	100 °C
<b>Operational areas</b>	EN 45545 - Railway
<b>NW</b>	17
<b>Thread type</b>	M
<b>Ø Connection thread D</b>	25
<b>Lead</b>	1,5
<b>Length screw-in thread L</b>	12 mm
<b>Ø closure VD</b>	33,2 mm
<b>Ø inside</b>	14,8 mm
<b>Key width SW</b>	27 mm
<b>Total length TL</b>	41,5 mm
<b>Type of conduit fitting</b>	straight
<b>UL 1696</b>	Yes
<b>Product Color</b>	RAL 9005
<b>Type</b>	EBFS-17-25-BK
<b>Order no. RAL 9005</b>	10106868
<b>Packing unit</b>	50
<b>EAN number</b>	4007686033274
<b>Tariff number</b>	39174000
<b>ETIM-Classification</b>	EC001176

Your Contact:

WISKA India Pvt. Ltd.

Mr. Omkar Ashar · Unit No.247/248,Raheja Tesla Industrial District II , Edison Bldg No.-1A,  
Plot No.GEN2/1/C/PART, TTC Industrial Area, MIDC, Juinagar, Navi Mumbai 400705, India

☎ +91-22-4967-1438 · ☎ +91-22-4967-1439 · o.ashar@wiska.in · www.wiska.in

**Remarks:**

**UL approval only in conjunction with UL approved corrugated conduits**

**Recommended accessories**

<b>EMUF 25 BK</b>	10061773
<b>BCA-S-17-BK</b>	10107075
<b>BCAV-S-17-BK</b>	10107090
<b>BCIV-S-17-BK</b>	10107107
<b>BCA-17-D-BK</b>	10107122
<b>BCAV-17-D-BK</b>	10107136
<b>BCAB-L-17-BK</b>	10109185
<b>BCAV-H-17-BK</b>	10109202
<b>BCIB-H-17-BK</b>	10109224

12.05.2026

**Your Contact:**

**WISKA India Pvt. Ltd.**

Mr. Omkar Ashar · Unit No.247/248,Raheja Tesla Industrial District II , Edison Bldg No.-1A,  
Plot No.GEN2/1/C/PART, TTC Industrial Area, MIDC, Juinagar, Navi Mumbai 400705, India

☎ +91-22-4967-1438 · ☎ +91-22-4967-1439 · o.ashar@wiska.in · www.wiska.in



Your Contact:

**WISKA India Pvt. Ltd.**

Mr. Omkar Ashar · Unit No.247/248,Raheja Tesla Industrial District II , Edison Bldg No.-1A,  
Plot No.GEN2/1/C/PART, TTC Industrial Area, MIDC, Juinagar, Navi Mumbai 400705, India

☎ +91-22-4967-1438 · ☎ +91-22-4967-1439 · o.ashar@wiska.in · www.wiska.in