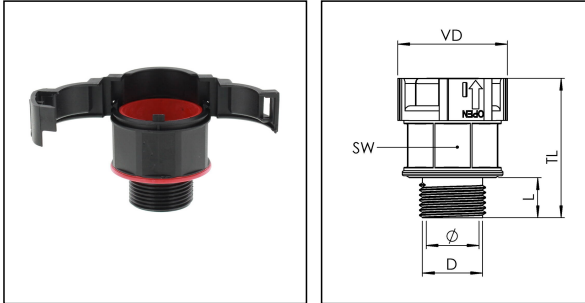


EBFS-29-40-BK

Conduit fitting, straight, non-metallic, RAL 9005, NW 29 / M40



Products may differ in size, colour and appearance to those shown. If you require further information or customisation, please contact us directly.



Material Conduit fitting	polyamide UL94-V0
Material Connection thread	polyamide UL94-V0
Material sealing gasket	TPU
Protection class	IP68 / IP69, IP66
Temp. range min	-40 °C
Temp. range max	100 °C
Operational areas	EN 45545 - Railway
NW	29
Thread type	M
Ø Connection thread D	40
Lead	1,5
Length screw-in thread L	14 mm
Ø closure VD	46,7 mm
Ø inside	26 mm
Key width SW	41 mm
Total length TL	53 mm
Type of conduit fitting	straight
UL 1696	Yes
Product Color	RAL 9005
Type	EBFS-29-40-BK
Order no. RAL 9005	10106872
Packing unit	10
EAN number	4007686033359
Tariff number	39174000
ETIM-Classification	EC001176

Your Contact:

WISKA India Pvt. Ltd.

Mr. Omkar Ashar · Unit No.247/248,Raheja Tesla Industrial District II , Edison Bldg No.-1A,
Plot No.GEN2/1/C/PART, TTC Industrial Area, MIDC, Juinagar, Navi Mumbai 400705, India

☎ +91-22-4967-1438 · ☎ +91-22-4967-1439 · o.ashar@wiska.in · www.wiska.in

Remarks:

UL approval only in conjunction with UL approved corrugated conduits

Recommended accessories

EMUF 40 BK	10061775
BCA-S-29-BK	10107077
BCAV-S-29-BK	10107092
BCIV-S-29-BK	10107109
BCA-29-D-BK	10107124
BCAV-29-D-BK	10107138
BCAB-L-29-BK	10109187
BCAV-H-29-BK	10109204
BCIB-H-29-BK	10109226

27.06.2026

Your Contact:

WISKA India Pvt. Ltd.

Mr. Omkar Ashar · Unit No.247/248,Raheja Tesla Industrial District II , Edison Bldg No.-1A,
Plot No.GEN2/1/C/PART, TTC Industrial Area, MIDC, Juinagar, Navi Mumbai 400705, India

☎ +91-22-4967-1438 · ☎ +91-22-4967-1439 · o.ashar@wiska.in · www.wiska.in



Your Contact:

WISKA India Pvt. Ltd.

Mr. Omkar Ashar · Unit No.247/248,Raheja Tesla Industrial District II , Edison Bldg No.-1A,
Plot No.GEN2/1/C/PART, TTC Industrial Area, MIDC, Juinagar, Navi Mumbai 400705, India

☎ +91-22-4967-1438 · ☎ +91-22-4967-1439 · o.ashar@wiska.in · www.wiska.in