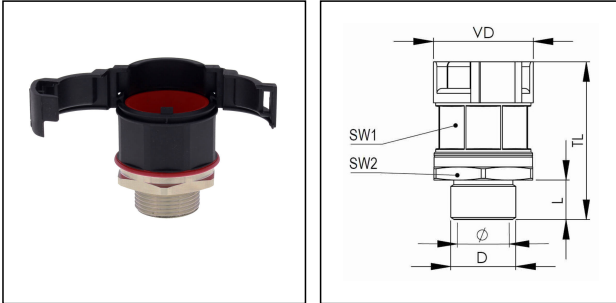


EMBFS-07-12-BK

Conduit fitting, straight, plastic/brass nickel-plated, RAL 9005, NW 07 / M12



Products may differ in size, colour and appearance to those shown. If you require further information or customisation, please contact us directly.



Material Conduit fitting	polyamide UL94-V0
Material Connection thread	Brass nickel-plated
Material sealing gasket	TPU
Protection class	IP68, IP66
Temp. range min	-40 °C
Temp. range max	100 °C
Operational areas	EN 45545 - Railway
NW	7
Thread type	M
Ø Connection thread D	12
Lead	1,5
Length screw-in thread L	9,5 mm
Ø closure VD	21,3 mm
Ø inside	6 mm
Key width SW1	17 mm
Key width SW2	18 mm
Total length TL	41,9 mm
Type of conduit fitting	straight
UL 1696	No
Product Color	RAL 9005
Type	EMBFS-07-12-BK
Order no. RAL 9005	10106893
Packing unit	50
EAN number	4007686033779
Tariff number	74122000

Your Contact:

WISKA India Pvt. Ltd.

Mr. Omkar Ashar · Unit No.247/248,Raheja Tesla Industrial District II , Edison Bldg No.-1A,
Plot No.GEN2/1/C/PART, TTC Industrial Area, MIDC, Juinagar, Navi Mumbai 400705, India

☎ +91-22-4967-1438 · ☎ +91-22-4967-1439 · o.ashar@wiska.in · www.wiska.in

ETIM-Classification

EC001176

Recommended accessories

EMMU 12	10063141
BCAV-S-07-BK	10107086
BCA-S-07-BK	10109175
BCIV-S-07-BK	10109179
BCAB-L-07-BK	10109181
BCAV-H-07-BK	10109199
BCIB-H-07-BK	10109220

12.05.2026

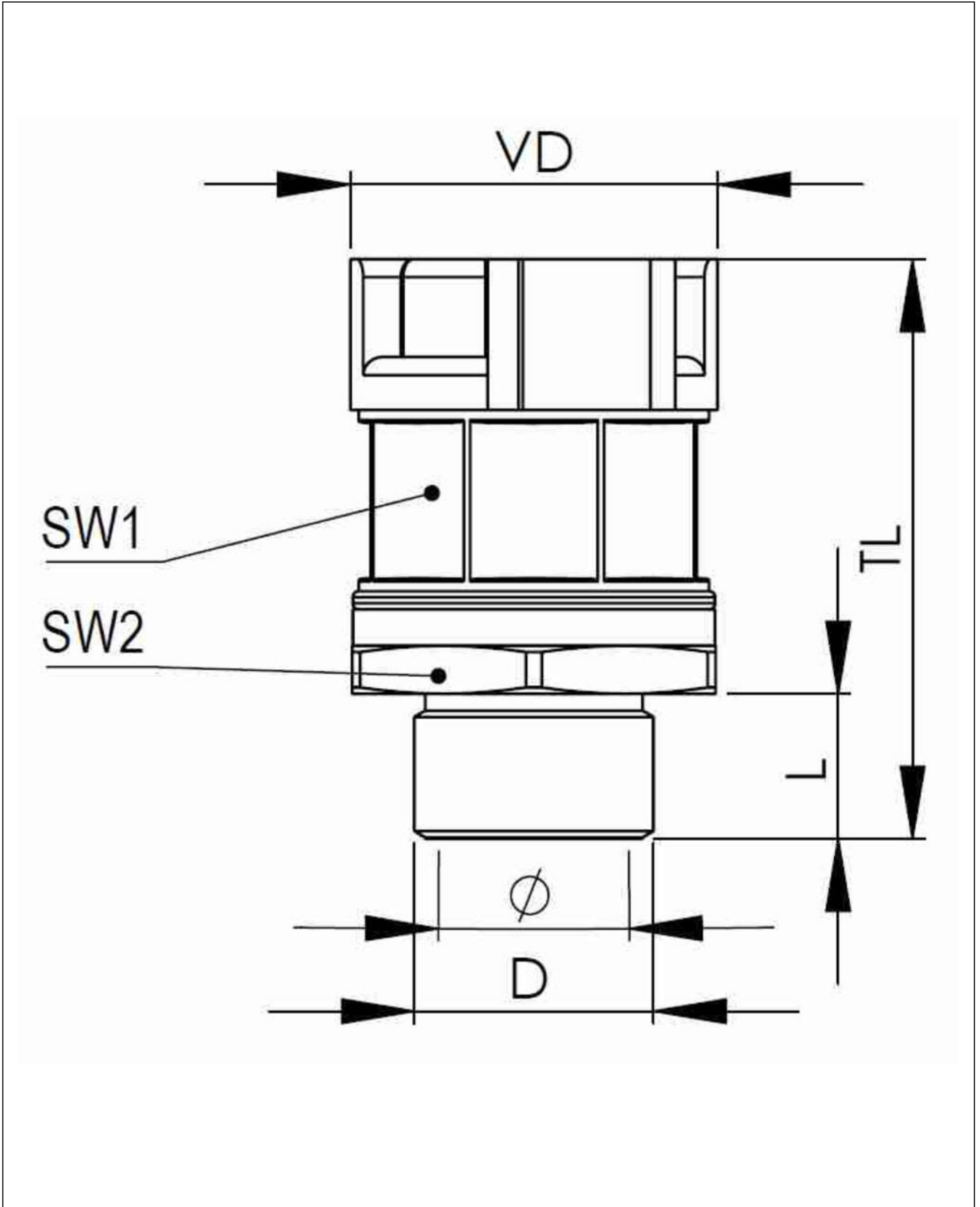
Your Contact:

WISKA India Pvt. Ltd.

Mr. Omkar Ashar · Unit No.247/248,Raheja Tesla Industrial District II , Edison Bldg No.-1A,
Plot No.GEN2/1/C/PART, TTC Industrial Area, MIDC, Juinagar, Navi Mumbai 400705, India

☎ +91-22-4967-1438 · ☎ +91-22-4967-1439 · o.ashar@wiska.in · www.wiska.in

Other technical data on request / subject to change without notice



Your Contact:

WISKA India Pvt. Ltd.

Mr. Omkar Ashar · Unit No.247/248,Raheja Tesla Industrial District II , Edison Bldg No.-1A,
Plot No.GEN2/1/C/PART, TTC Industrial Area, MIDC, Juinagar, Navi Mumbai 400705, India

☎ +91-22-4967-1438 · ☎ +91-22-4967-1439 · o.ashar@wiska.in · www.wiska.in

Other technical data on request / subject to change without notice