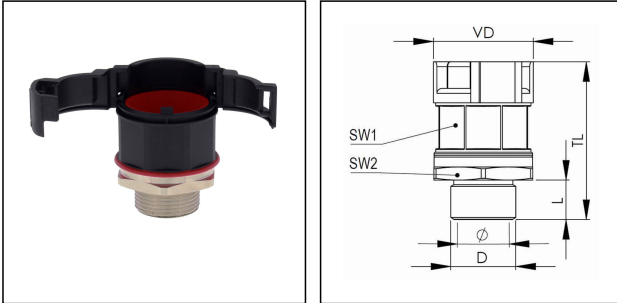


EMBFS-36-50-BK

Conduit fitting, straight, plastic/brass nickel-plated, RAL 9005, NW 36 / M50



Products may differ in size, colour and appearance to those shown. If you require further information or customisation, please contact us directly.



| | |
|-----------------------------------|---------------------|
| Material Conduit fitting | polyamide UL94-V0 |
| Material Connection thread | Brass nickel-plated |
| Material sealing gasket | TPU |
| Protection class | IP68, IP66 |
| Temp. range min | -40 °C |
| Temp. range max | 100 °C |
| Operational areas | EN 45545 - Railway |
| NW | 36 |
| Thread type | M |
| Ø Connection thread D | 50 |
| Lead | 1,5 |
| Length screw-in thread L | 14 mm |
| Ø closure VD | 55,7 mm |
| Ø inside | 33,5 mm |
| Key width SW1 | 50 mm |
| Key width SW2 | 55 mm |
| Total length TL | 62,2 mm |
| Type of conduit fitting | straight |
| UL 1696 | Yes |
| Product Color | RAL 9005 |
| Type | EMBFS-36-50-BK |
| Order no. RAL 9005 | 10106906 |
| Packing unit | 10 |
| EAN number | 4007686034011 |
| Tariff number | 74122000 |

Your Contact:

WISKA India Pvt. Ltd.

Mr. Omkar Ashar · Unit No.247/248,Raheja Tesla Industrial District II , Edison Bldg No.-1A,
Plot No.GEN2/1/C/PART, TTC Industrial Area, MIDC, Juinagar, Navi Mumbai 400705, India

☎ +91-22-4967-1438 · ☎ +91-22-4967-1439 · o.ashar@wiska.in · www.wiska.in

ETIM-Classification

EC001176

Remarks:

UL approval only in conjunction with UL approved corrugated conduits

Recommended accessories

| | |
|---------------------|----------|
| EMMU 50 | 10063147 |
| BCA-S-36-BK | 10107078 |
| BCAV-S-36-BK | 10107093 |
| BCIV-S-36-BK | 10107110 |
| BCA-36-D-BK | 10107125 |
| BCAV-36-D-BK | 10107139 |
| BCAB-L-36-BK | 10109188 |
| BCAV-H-36-BK | 10109205 |
| BCIB-H-36-BK | 10109227 |

12.05.2026

Your Contact:

WISKA India Pvt. Ltd.

Mr. Omkar Ashar · Unit No.247/248,Raheja Tesla Industrial District II , Edison Bldg No.-1A,
Plot No.GEN2/1/C/PART, TTC Industrial Area, MIDC, Juinagar, Navi Mumbai 400705, India

☎ +91-22-4967-1438 · ☎ +91-22-4967-1439 · o.ashar@wiska.in · www.wiska.in



Your Contact:

WISKA India Pvt. Ltd.

Mr. Omkar Ashar · Unit No.247/248,Raheja Tesla Industrial District II , Edison Bldg No.-1A,
Plot No.GEN2/1/C/PART, TTC Industrial Area, MIDC, Juinagar, Navi Mumbai 400705, India

☎ +91-22-4967-1438 · ☎ +91-22-4967-1439 · o.ashar@wiska.in · www.wiska.in

Other technical data on request / subject to change without notice