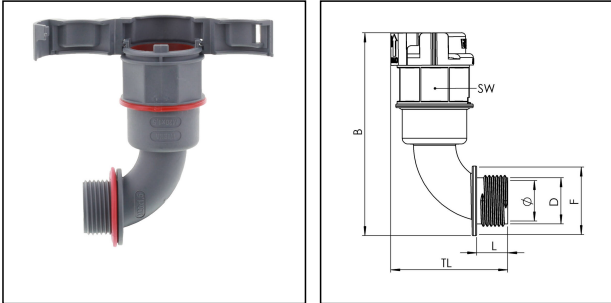


## EBF90-10-16-BG

Conduit fitting, 90° angle, plastic



Products may differ in size, colour and appearance to those shown. If you require further information or customisation, please contact us directly.



|                                   |                    |
|-----------------------------------|--------------------|
| <b>Material Conduit fitting</b>   | polyamide UL94-V0  |
| <b>Material Connection thread</b> | polyamide UL94-V0  |
| <b>Material sealing gasket</b>    | TPU                |
| <b>Protection class</b>           | IP68, IP66         |
| <b>Temp. range min</b>            | -40 °C             |
| <b>Temp. range max</b>            | 100 °C             |
| <b>Operational areas</b>          | EN 45545 - Railway |
| <b>NW</b>                         | 10                 |
| <b>Thread type</b>                | M                  |
| <b>Ø Connection thread D</b>      | 16                 |
| <b>Lead</b>                       | 1,5                |
| <b>Length screw-in thread L</b>   | 10,5 mm            |
| <b>Ø inside</b>                   | 9 mm               |
| <b>Ø Gasket F</b>                 | 22 mm              |
| <b>Key width SW</b>               | 20 mm              |
| <b>Width B</b>                    | 71,9 mm            |
| <b>Total length TL</b>            | 36,7 mm            |
| <b>Type of conduit fitting</b>    | 90° Angle          |
| <b>UL 1696</b>                    | Yes                |
| <b>Product Color</b>              | RAL 7031           |
| <b>Type</b>                       | EBF90-10-16-BG     |
| <b>Order no. RAL 7031</b>         | 10106967           |
| <b>Packing unit</b>               | 50                 |
| <b>EAN number</b>                 | 4007686035230      |
| <b>Tariff number</b>              | 39174000           |

Your Contact:

WISKA India Pvt. Ltd.

Mr. Omkar Ashar · Unit No.247/248,Raheja Tesla Industrial District II , Edison Bldg No.-1A,  
Plot No.GEN2/1/C/PART, TTC Industrial Area, MIDC, Juinagar, Navi Mumbai 400705, India

☎ +91-22-4967-1438 · ☎ +91-22-4967-1439 · o.ashar@wiska.in · www.wiska.in

**ETIM-Classification**

EC001176

Remarks:

UL approval only in conjunction with UL approved corrugated conduits

**Recommended accessories**

|                     |          |
|---------------------|----------|
| <b>BCA-S-10-BG</b>  | 10107079 |
| <b>BCAV-S-10-BG</b> | 10107096 |
| <b>BCIV-S-10-BG</b> | 10107112 |
| <b>BCA-10-D-BG</b>  | 10107127 |
| <b>BCAV-10-D-BG</b> | 10107141 |
| <b>BCAB-L-10-BG</b> | 10109191 |
| <b>BCAV-H-10-BG</b> | 10109208 |
| <b>BCIB-H-10-BG</b> | 10109230 |

12.05.2026

Your Contact:

**WISKA India Pvt. Ltd.**

Mr. Omkar Ashar · Unit No.247/248,Raheja Tesla Industrial District II , Edison Bldg No.-1A,  
Plot No.GEN2/1/C/PART, TTC Industrial Area, MIDC, Juinagar, Navi Mumbai 400705, India

☎ +91-22-4967-1438 · ☎ +91-22-4967-1439 · o.ashar@wiska.in · www.wiska.in



Your Contact:

**WISKA India Pvt. Ltd.**

Mr. Omkar Ashar · Unit No.247/248,Raheja Tesla Industrial District II , Edison Bldg No.-1A,  
Plot No.GEN2/1/C/PART, TTC Industrial Area, MIDC, Juinagar, Navi Mumbai 400705, India

☎ +91-22-4967-1438 · ☎ +91-22-4967-1439 · o.ashar@wiska.in · www.wiska.in