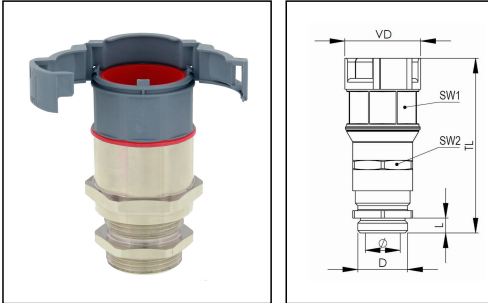


EMBFSCG-12-20-BG

Conduit fitting with cable gland, straight, plastic/brass, RAL 7031, NW12



Products may differ in size, colour and appearance to those shown. If you require further information or customisation, please contact us directly.



Material Conduit fitting	polyamide UL94-V0
Material Connection thread	Brass nickel-plated
Material sealing gasket	TPU
Protection class	IP68, IP66
Temp. range min	-40 °C
Temp. range max	100 °C
Operational areas	EN 45545 - Railway
NW	12
Thread type	M
Ø Connection thread D	20
Lead	1,5
Length screw-in thread L	6 mm
Ø cable diameter min	6 mm
Ø cable diameter max	10 mm
Ø closure VD	27,3 mm
Ø inside	10 mm
Key width SW1	22 mm
Key width SW2	24 mm
Total length TL	63,7 mm - 64 mm
Type of conduit fitting	straight
Product Color	RAL 7031
Type	EMBFSCG-12-20-BG
Order no. RAL 7031	10107373
Packing unit	50
EAN number	4007686042641

Your Contact:

WISKA India Pvt. Ltd.

Mr. Omkar Ashar · Unit No.247/248,Raheja Tesla Industrial District II , Edison Bldg No.-1A,
Plot No.GEN2/1/C/PART, TTC Industrial Area, MIDC, Juinagar, Navi Mumbai 400705, India

☎ +91-22-4967-1438 · ☎ +91-22-4967-1439 · o.ashar@wiska.in · www.wiska.in

Tariff number	74122000
ETIM-Classification	EC001176

Recommended accessories

EMMU 20	10063143
BCA-S-12-BG	10107080
BCAV-S-12-BG	10107097
BCIV-S-12-BG	10107113
BCAB-L-12-BG	10109192
BCAV-H-12-BG	10109209
BCIB-H-12-BG	10109231

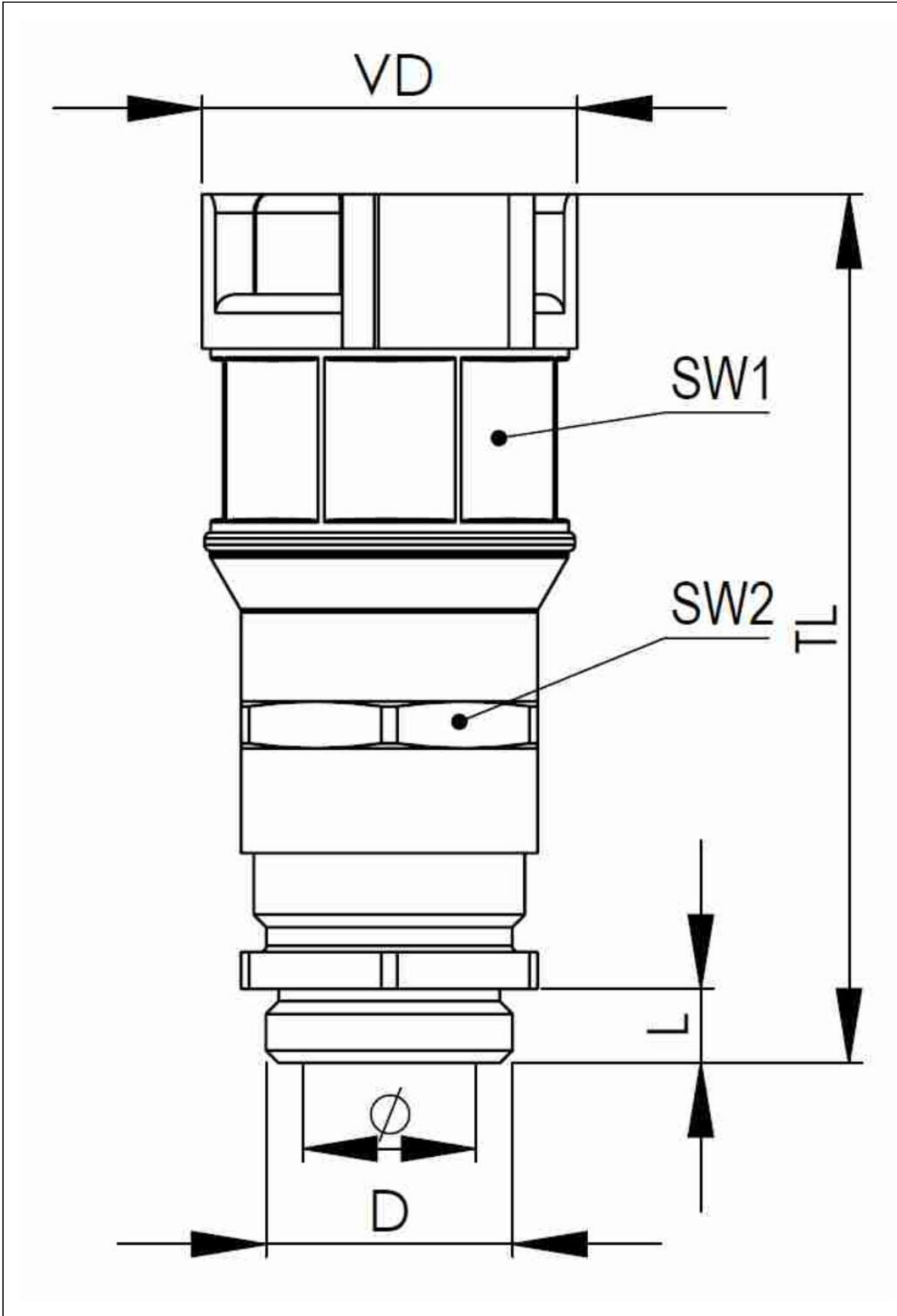
27.06.2026

Your Contact:

WISKA India Pvt. Ltd.

Mr. Omkar Ashar · Unit No.247/248,Raheja Tesla Industrial District II , Edison Bldg No.-1A,
Plot No.GEN2/1/C/PART, TTC Industrial Area, MIDC, Juinagar, Navi Mumbai 400705, India

☎ +91-22-4967-1438 · ☎ +91-22-4967-1439 · o.ashar@wiska.in · www.wiska.in



Your Contact:

WISKA India Pvt. Ltd.

Mr. Omkar Ashar · Unit No.247/248,Raheja Tesla Industrial District II , Edison Bldg No.-1A,
Plot No.GEN2/1/C/PART, TTC Industrial Area, MIDC, Juinagar, Navi Mumbai 400705, India

☎ +91-22-4967-1438 · ☎ +91-22-4967-1439 · o.ashar@wiska.in · www.wiska.in