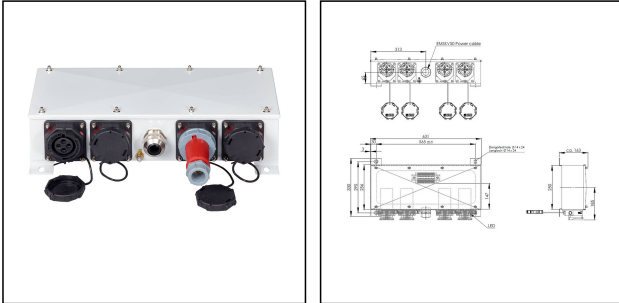


## VARITAIN® PI 04/FS/FS/32A/10kA/LED/G

Reefer container socket 32A 10kA 440V 3h 4-gang, stainless steel, RAL 7035



Products may differ in size, colour and appearance to those shown. If you require further information or customisation, please contact us directly.



|                                  |                                      |
|----------------------------------|--------------------------------------|
| <b>WISKA-Order no.</b>           | 10108624                             |
| <b>Type</b>                      | VARITAIN® PI 04/FS/FS/32A/10kA/LED/G |
| <b>Material</b>                  | Stainless steel 1.4301 (V2A)         |
| <b>Material protective cap</b>   | Polyamide                            |
| <b>Socket insert</b>             | 3 - poles + PE                       |
| <b>Clock face position</b>       | 3h                                   |
| <b>Number of sockets</b>         | 4                                    |
| <b>Breaking capacity</b>         | 10 kA                                |
| <b>Voltage max. (V)</b>          | 440 V                                |
| <b>Type of Voltage</b>           | AC                                   |
| <b>Current</b>                   | 32 A                                 |
| <b>Protection class</b>          | IP66 / IP67                          |
| <b>Operational areas</b>         | Outdoor                              |
| <b>Temp. range min</b>           | -25 °C                               |
| <b>Temp. range max</b>           | 45 °C                                |
| <b>Type of cable gland</b>       | EMSKV-RDE 50/EE45-33                 |
| <b>Ø cable diameter min</b>      | 16 mm                                |
| <b>Ø cable diameter max</b>      | 35 mm                                |
| <b>Mounting</b>                  | Surface mounting, Wall               |
| <b>External dimensions LxWxH</b> | 625x250x129mm                        |
| <b>Colour</b>                    | RAL 7035                             |
| <b>Weight</b>                    | 11,96 kg                             |
| <b>Approval</b>                  | DNV-GL                               |
| <b>Variations</b>                | on request                           |
| <b>Tariff number</b>             | 85366990                             |

Your Contact:

WISKA India Pvt. Ltd.

Mr. Omkar Ashar · Unit No.247/248,Raheja Tesla Industrial District II , Edison Bldg No.-1A,  
Plot No.GEN2/1/C/PART, TTC Industrial Area, MIDC, Juinagar, Navi Mumbai 400705, India

☎ +91-22-4967-1438 · ☎ +91-22-4967-1439 · o.ashar@wiska.in · www.wiska.in

## Spare parts

|                                     |          |
|-------------------------------------|----------|
| <b>SP-VARI-OTE-PI/CL</b>            | 22000391 |
| <b>SP-CAP NUTS M6</b>               | 22000402 |
| <b>SP-BC/FS-CEE/BELT/32A</b>        | 22000403 |
| <b>SP-VARI-PI/SM/LED/10kA/NUTS</b>  | 22000426 |
| <b>SP-VENTPLUG 12</b>               | 22000430 |
| <b>SP-LID GASKET</b>                | 22000431 |
| <b>SP-VARI/TB 35mm<sup>2</sup></b>  | 22000615 |
| <b>SP-VARI-PI/SM/LED</b>            | 22000640 |
| <b>SP-VARI-PI/LED/10kA/BC/NUTS</b>  | 22000668 |
| <b>SP-VARI-PI/LED CIRCUIT BOARD</b> | 22000908 |

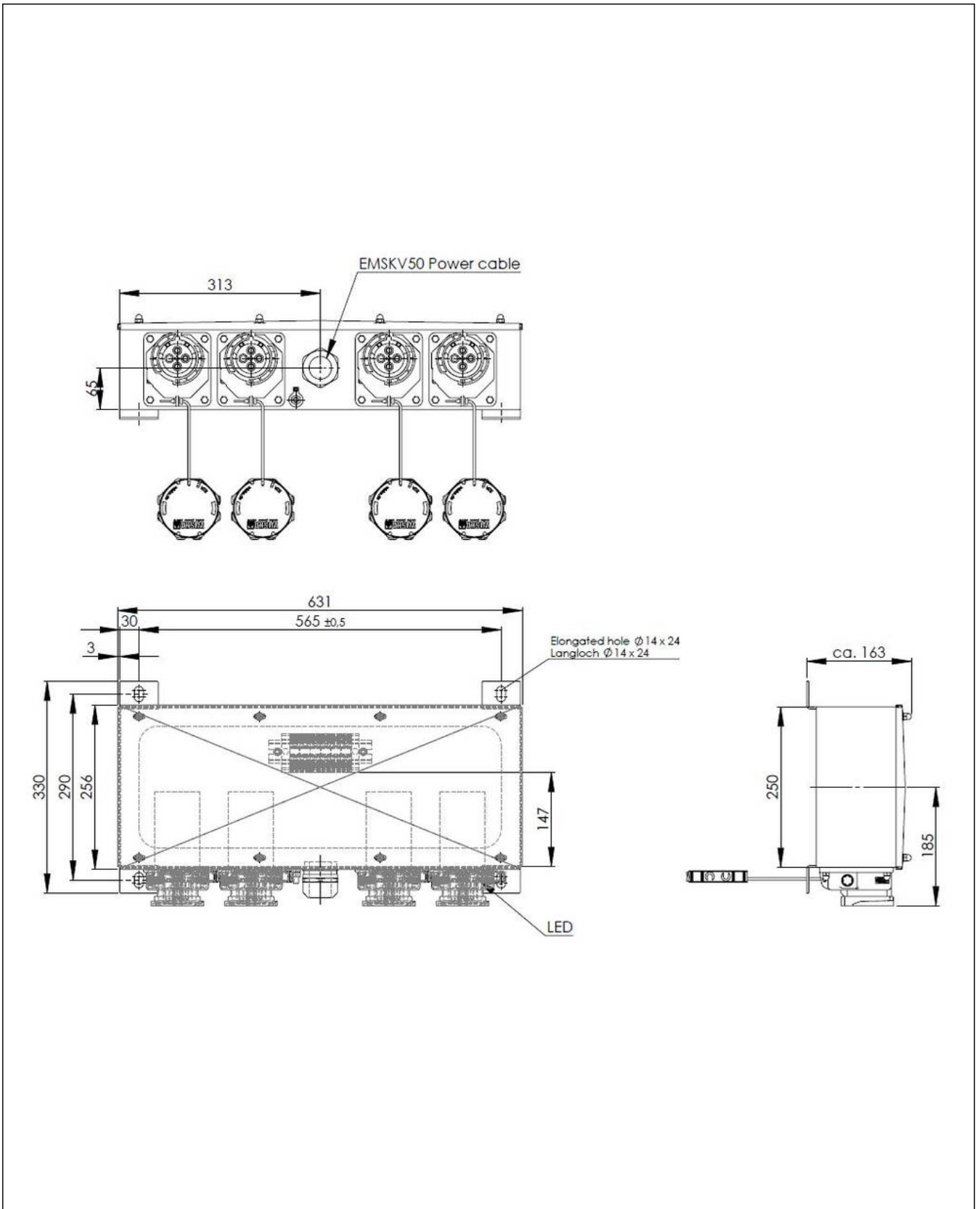
22.05.2026

Your Contact:

**WISKA India Pvt. Ltd.**

Mr. Omkar Ashar · Unit No.247/248,Raheja Tesla Industrial District II , Edison Bldg No.-1A,  
Plot No.GEN2/1/C/PART, TTC Industrial Area, MIDC, Juinagar, Navi Mumbai 400705, India

☎ +91-22-4967-1438 · ☎ +91-22-4967-1439 · o.ashar@wiska.in · www.wiska.in



Your Contact:

**WISKA India Pvt. Ltd.**

Mr. Omkar Ashar · Unit No.247/248, Raheja Tesla Industrial District II , Edison Bldg No.-1A,  
Plot No.GEN2/1/C/PART, TTC Industrial Area, MIDC, Juinagar, Navi Mumbai 400705, India

☎ +91-22-4967-1438 · ☎ +91-22-4967-1439 · o.ashar@wiska.in · www.wiska.in