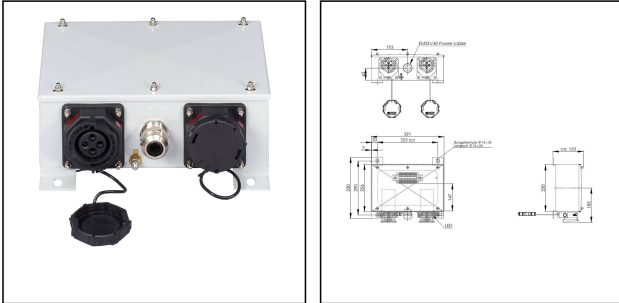


## VARITAIN® PI 02/FS/FS/32A/25kA/LED/G

Reefer container socket 32A 25kA 440V 3h 2-gang, stainless steel, RAL 7035



Products may differ in size, colour and appearance to those shown. If you require further information or customisation, please contact us directly.



<b>WISKA-Order no.</b>	10108632
<b>Type</b>	VARITAIN® PI 02/FS/FS/32A/25kA/LED/G
<b>Material</b>	Stainless steel 1.4301 (V2A)
<b>Material protective cap</b>	Polyamide
<b>Socket insert</b>	3 - poles + PE
<b>Clock face position</b>	3h
<b>Number of sockets</b>	2
<b>Breaking capacity</b>	25 kA
<b>Voltage max. (V)</b>	440 V
<b>Type of Voltage</b>	AC
<b>Current</b>	32 A
<b>Protection class</b>	IP66 / IP67
<b>Operational areas</b>	Outdoor
<b>Temp. range min</b>	-25 °C
<b>Temp. range max</b>	45 °C
<b>Type of cable gland</b>	EMSKV-RDE 40/EE36-26
<b>Ø cable diameter min</b>	12 mm
<b>Ø cable diameter max</b>	28 mm
<b>Mounting</b>	Surface mounting, Wall
<b>External dimensions LxWxH</b>	385x250x129mm
<b>Colour</b>	RAL 7035
<b>Weight</b>	8 kg
<b>Approval</b>	DNV-GL
<b>Variations</b>	on request
<b>Tariff number</b>	85366990

Your Contact:

WISKA India Pvt. Ltd.

Mr. Omkar Ashar · Unit No.247/248,Raheja Tesla Industrial District II , Edison Bldg No.-1A,  
Plot No.GEN2/1/C/PART, TTC Industrial Area, MIDC, Juinagar, Navi Mumbai 400705, India

☎ +91-22-4967-1438 · ☎ +91-22-4967-1439 · o.ashar@wiska.in · www.wiska.in

## Spare parts

<b>SP-VARI-OTE-PI/CL</b>	22000391
<b>SP-CAP NUTS M6</b>	22000402
<b>SP-BC/FS-CEE/BELT/32A</b>	22000403
<b>SP-VARI-PI/SM/LED/25kA/NUTS</b>	22000427
<b>SP-VENTPLUG 12</b>	22000430
<b>SP-LID GASKET</b>	22000431
<b>SP-VARI-PI/LED/25kA/BC/NUTS</b>	22000606
<b>SP-VARI/TB 35mm<sup>2</sup></b>	22000615
<b>SP-VARI-PI/SM/LED</b>	22000640
<b>SP-VARI-PI/LED CIRCUIT BOARD</b>	22000908

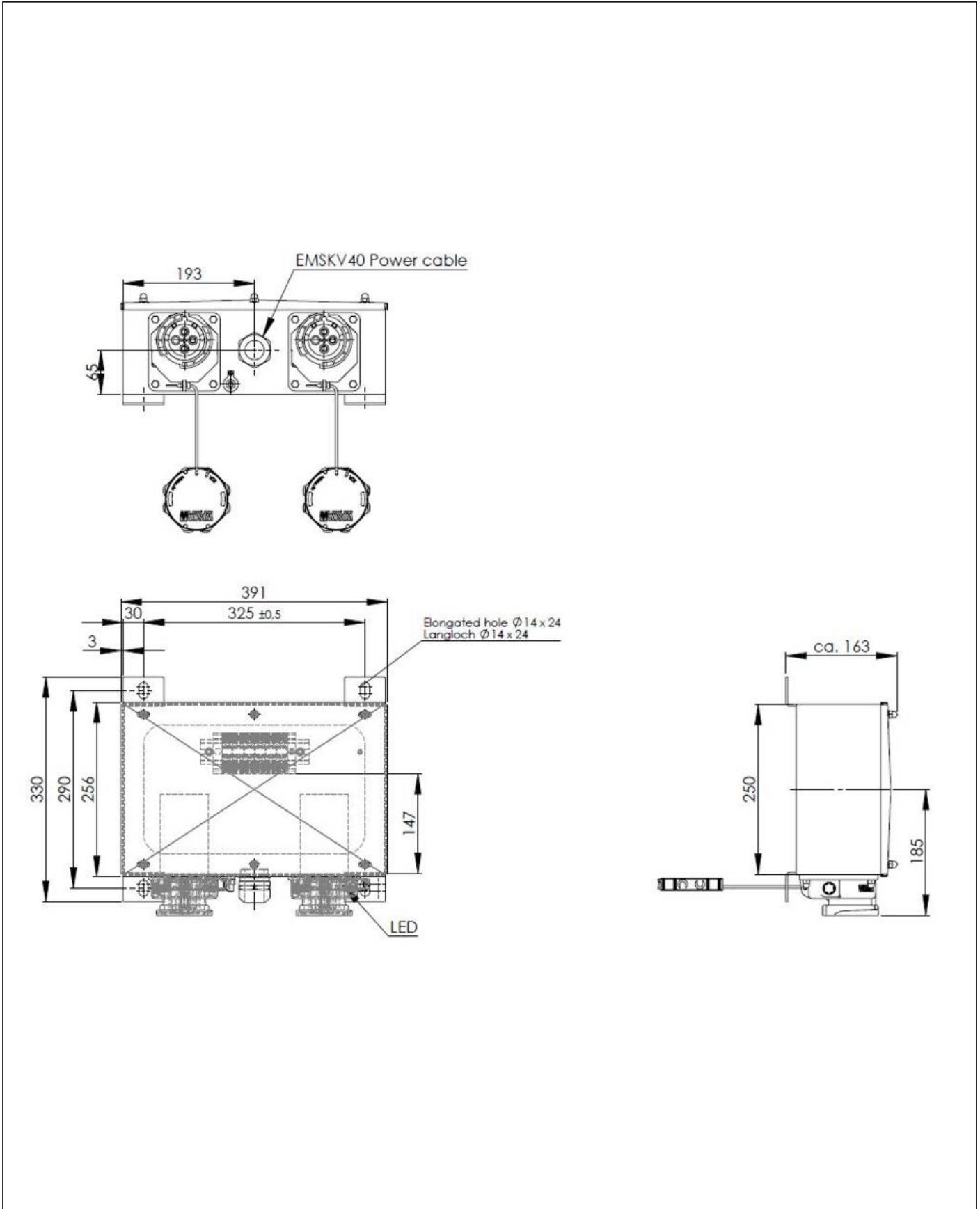
12.05.2026

Your Contact:

**WISKA India Pvt. Ltd.**

Mr. Omkar Ashar · Unit No.247/248,Raheja Tesla Industrial District II , Edison Bldg No.-1A,  
Plot No.GEN2/1/C/PART, TTC Industrial Area, MIDC, Juinagar, Navi Mumbai 400705, India

☎ +91-22-4967-1438 · ☎ +91-22-4967-1439 · o.ashar@wiska.in · www.wiska.in



Your Contact:

**WISKA India Pvt. Ltd.**

Mr. Omkar Ashar · Unit No.247/248,Raheja Tesla Industrial District II , Edison Bldg No.-1A,  
Plot No.GEN2/1/C/PART, TTC Industrial Area, MIDC, Juinagar, Navi Mumbai 400705, India

☎ +91-22-4967-1438 · ☎ +91-22-4967-1439 · o.ashar@wiska.in · www.wiska.in