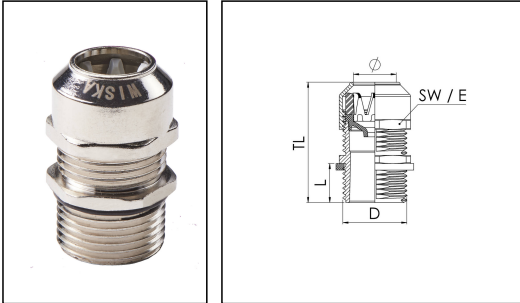


EZMGV-L 20

Cable gland, zinc, M20 with long connection thread



Products may differ in size, colour and appearance to those shown. If you require further information or customisation, please contact us directly.



Material cable gland	Zinc nickel-plated
Material clamping cage	Polyamide / TPE
Material sealing gasket	EPDM
Temp. range min	-40 °C
Temp. range max	80 °C
Protection class	IP66 / IP68
Thread type	M
Ø Connection thread D	20
Lead	1,5
Length screw-in thread L	11,5 mm
Ø cable diameter min	6 mm
Ø cable diameter max	13 mm
Key width SW	22 mm
Collar diameter (E)	24 mm
Total length TL	29 mm - 37 mm
Install. torques cap nut	2 N m
Install. torques fitting	3 N m
WISKA-Order no.	10108742
Type	EZMGV-L 20
Packing unit	50
Tariff number	79070000
EAN number	4007686100730
ETIM-Classification	EC000441

Remarks:

Your Contact:

WISKA India Pvt. Ltd.

Mr. Omkar Ashar · Unit No.247/248,Raheja Tesla Industrial District II , Edison Bldg No.-1A,
Plot No.GEN2/1/C/PART, TTC Industrial Area, MIDC, Juinagar, Navi Mumbai 400705, India

☎ +91-22-4967-1438 · ☎ +91-22-4967-1439 · o.ashar@wiska.in · www.wiska.in

- Protection class IP66 / IP68 (1,0bar/12h) for cable Ø 6-13mm
- For cable Ø 6-8mm Type of strain relief A according to EN 62444
- For cable Ø 8-13mm Type of strain relief B according to EN 62444

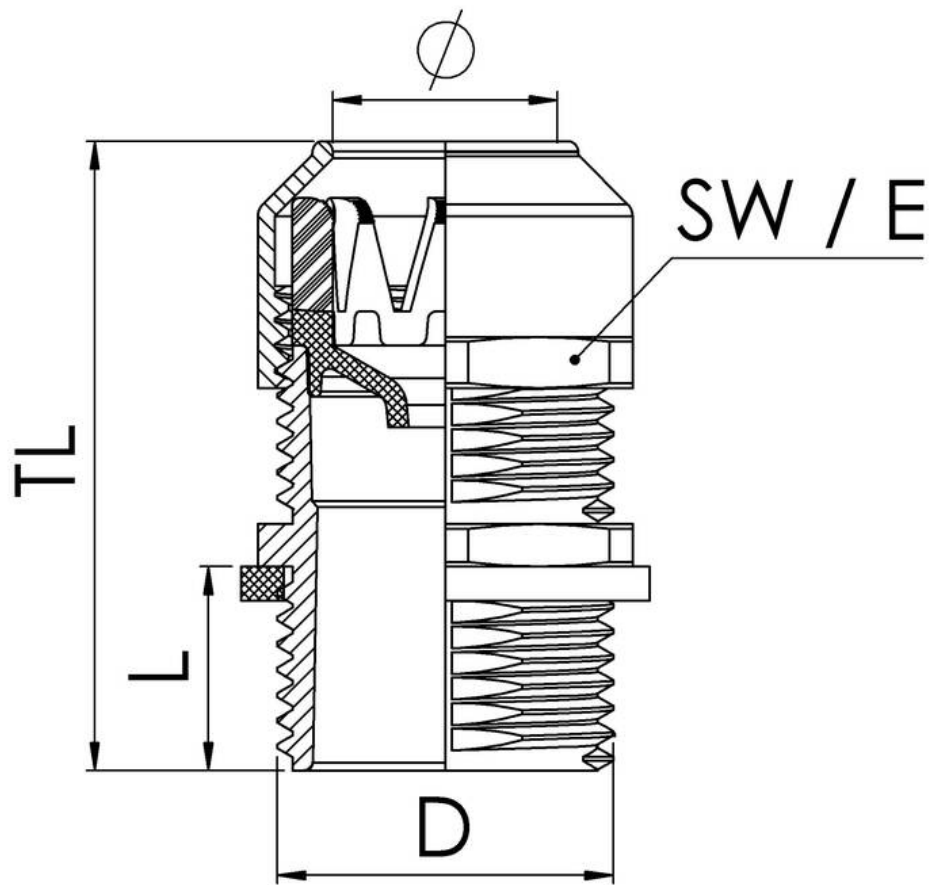
12.05.2026

Your Contact:

WISKA India Pvt. Ltd.

Mr. Omkar Ashar · Unit No.247/248,Raheja Tesla Industrial District II , Edison Bldg No.-1A,
Plot No.GEN2/1/C/PART, TTC Industrial Area, MIDC, Juinagar, Navi Mumbai 400705, India

☎ +91-22-4967-1438 · ☎ +91-22-4967-1439 · o.ashar@wiska.in · www.wiska.in



Your Contact:

WISKA India Pvt. Ltd.

Mr. Omkar Ashar · Unit No.247/248, Raheja Tesla Industrial District II, Edison Bldg No.-1A,
Plot No.GEN2/1/C/PART, TTC Industrial Area, MIDC, Juinagar, Navi Mumbai 400705, India

☎ +91-22-4967-1438 · ☎ +91-22-4967-1439 · o.ashar@wiska.in · www.wiska.in

Other technical data on request / subject to change without notice