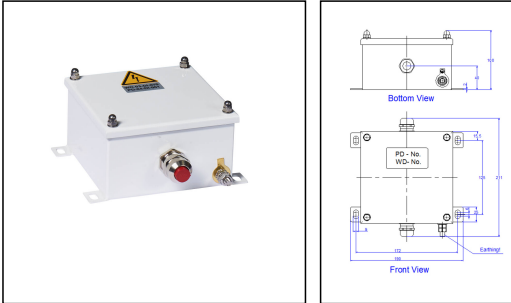


IBS1515/EXT/IP

Junction box IBS1515, stainless steel, IP67



Products may differ in size, colour and appearance to those shown. If you require further information or customisation, please contact us directly.

Type	IBS1515/EXT/IP
WISKA-Order no.	10109296
Material	Stainless steel
Protection class	IP66 / IP67
Temp. range min	-30 °C
Temp. range max	55 °C
Operational areas	Indoor / Outdoor
Range of use	Analogue System, Network system
for camera	analogue, IP
Mounting	Surface mounting
Colour	RAL 9016
Surface	Powder coated
Weight	1,5 kg
Tariff number	85366990

Remarks:

Junction box type IBS1515,
 stainless steel, IP66/67, Extension
 for Ethernet cable (RJ45),
 Cable gland: 1x EMSKV 20, 1x EMSKV 25

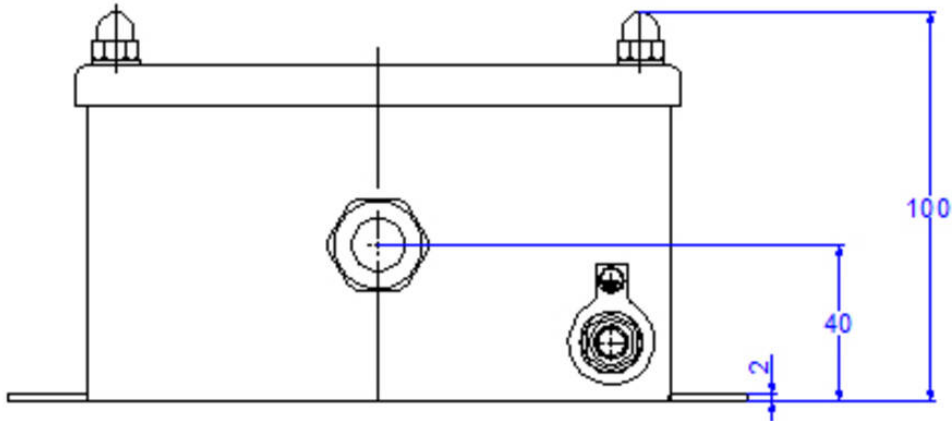
12.05.2026

Your Contact:

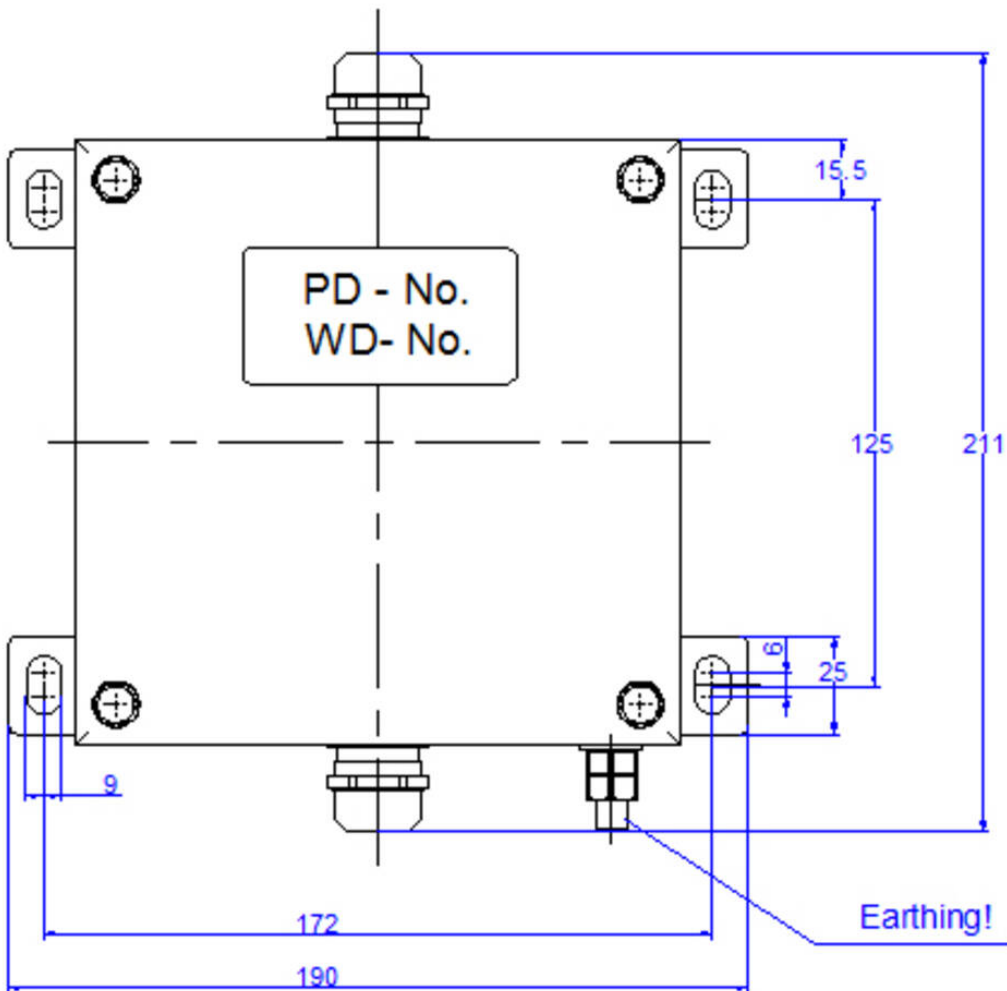
WISKA India Pvt. Ltd.

Mr. Omkar Ashar · Unit No.247/248,Raheja Tesla Industrial District II , Edison Bldg No.-1A,
 Plot No.GEN2/1/C/PART, TTC Industrial Area, MIDC, Juinagar, Navi Mumbai 400705, India

☎ +91-22-4967-1438 · ☎ +91-22-4967-1439 · o.ashar@wiska.in · www.wiska.in



Bottom View



Front View

Your Contact:

WISKA India Pvt. Ltd.

Mr. Omkar Ashar · Unit No.247/248,Raheja Tesla Industrial District II , Edison Bldg No.-1A,
Plot No.GEN2/1/C/PART, TTC Industrial Area, MIDC, Juinagar, Navi Mumbai 400705, India

+91-22-4967-1438 · +91-22-4967-1439 · o.ashar@wiska.in · www.wiska.in