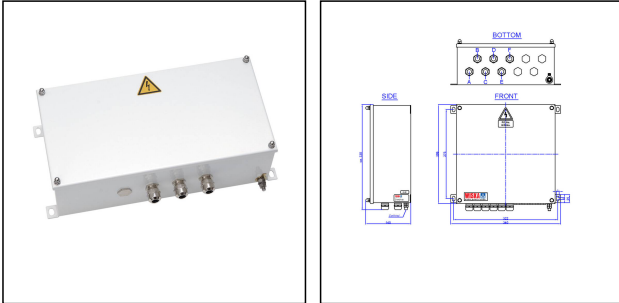


## SWITCH/10P/GBit/4POE+/2FOC/OUT



Products may differ in size, colour and appearance to those shown. If you require further information or customisation, please contact us directly.

<b>Type</b>	SWITCH/10P/GBit/4POE+/2FOC/OUT
<b>WISKA-Order no.</b>	10109692
<b>Material</b>	Stainless steel
<b>Colour</b>	RAL 9016
<b>Operational areas</b>	Outdoor
<b>Mounting</b>	Surface mounting
<b>Temp. range min</b>	-25 °C
<b>Temp. range max</b>	55 °C
<b>Protection class</b>	IP66 / IP67
<b>Software</b>	Unmanaged
<b>PoE ports</b>	0
<b>PoE+ ports</b>	4
<b>RJ45 ports</b>	10
<b>SFP ports</b>	0
<b>FOC ports</b>	2
<b>Advice</b>	Boxed
<b>Voltage</b>	100 V - 240 V
<b>Type of Voltage</b>	AC
<b>Frequence</b>	50/60 Hz
<b>Wattage</b>	150 W
<b>Weight</b>	7,5 kg
<b>Tariff number</b>	85176200

Remarks:

Ports: 7x

Your Contact:

**WISKA India Pvt. Ltd.**

Mr. Omkar Ashar · Unit No.247/248,Raheja Tesla Industrial District II , Edison Bldg No.-1A,  
Plot No.GEN2/1/C/PART, TTC Industrial Area, MIDC, Juinagar, Navi Mumbai 400705, India

☎ +91-22-4967-1438 · ☎ +91-22-4967-1439 · o.ashar@wiska.in · www.wiska.in

**2x RJ-45 Gbit**

**4x RJ-45 Gbit/POE+**

**1x SFP Gbit/MM**

**PoE power budget: 136,80 W**

**Mounting: Outdoor**

**Colour: RAL9016**

**Operating Temperature: -25~55°C**

**Power: 230VAC /50~60HZ**



**Housing: IBS3030, Stainless Steel, IP66/67**

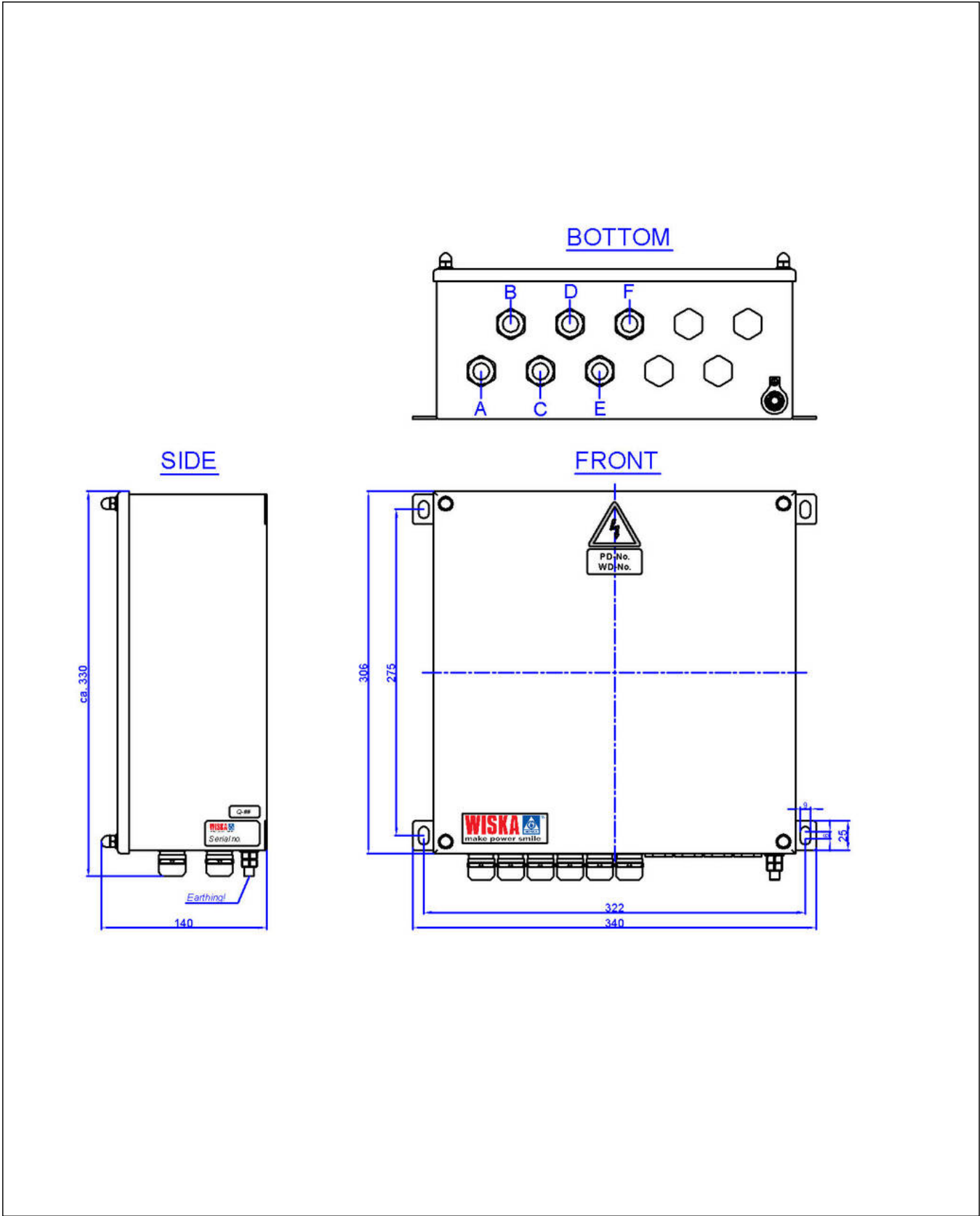
12.05.2026

Your Contact:

**WISKA India Pvt. Ltd.**

Mr. Omkar Ashar · Unit No.247/248,Raheja Tesla Industrial District II , Edison Bldg No.-1A,  
Plot No.GEN2/1/C/PART, TTC Industrial Area, MIDC, Juinagar, Navi Mumbai 400705, India

 +91-22-4967-1438 ·  +91-22-4967-1439 · o.ashar@wiska.in · www.wiska.in



Your Contact:

**WISKA India Pvt. Ltd.**

Mr. Omkar Ashar · Unit No.247/248,Raheja Tesla Industrial District II , Edison Bldg No.-1A,  
Plot No.GEN2/1/C/PART, TTC Industrial Area, MIDC, Juinagar, Navi Mumbai 400705, India

☎ +91-22-4967-1438 · ☎ +91-22-4967-1439 · o.ashar@wiska.in · www.wiska.in