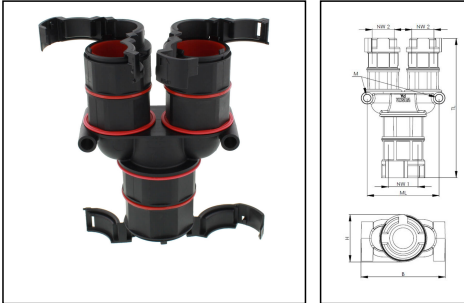


BFY-29-23-23-BK

Y-Connector, polyamide, RAL 9005, NW 29-NW 23



Products may differ in size, colour and appearance to those shown. If you require further information or customisation, please contact us directly.





Material Conduit fitting	polyamide UL94-V0
Material sealing gasket	TPU
Protection class	IP68
Temp. range min	-40 °C
Temp. range max	100 °C
NW 1	29
NW 2	23
Width B	93,4 mm
Height H	50 mm
Borehole M	M6
Distance between boreholes ML	82 mm
Total length TL	145,1 mm
Product Color	RAL 9005
Type	BFY-29-23-23-BK
Order no. RAL 9005	10109757
Packing unit	2
EAN number	4007686266245
Tariff number	39269097
ETIM-Classification	EC001176

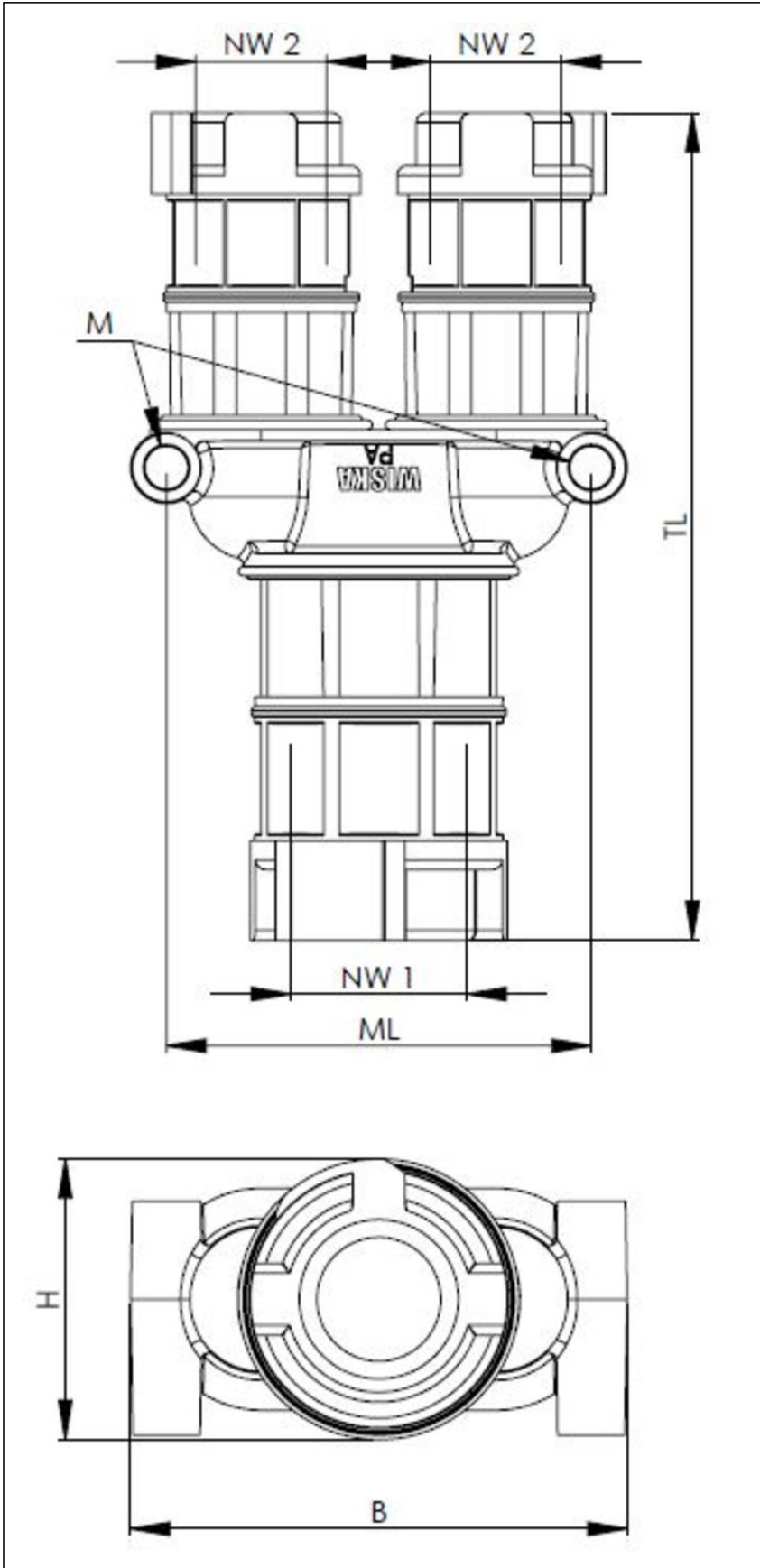
12.05.2026

Your Contact:

WISKA India Pvt. Ltd.

Mr. Omkar Ashar · Unit No.247/248,Raheja Tesla Industrial District II , Edison Bldg No.-1A,
Plot No.GEN2/1/C/PART, TTC Industrial Area, MIDC, Juinagar, Navi Mumbai 400705, India

☎ +91-22-4967-1438 · ☎ +91-22-4967-1439 · o.ashar@wiska.in · www.wiska.in



Your Contact:

WISKA India Pvt. Ltd.

Mr. Omkar Ashar · Unit No.247/248,Raheja Tesla Industrial District II , Edison Bldg No.-1A,
Plot No.GEN2/1/C/PART, TTC Industrial Area, MIDC, Juinagar, Navi Mumbai 400705, India

☎ +91-22-4967-1438 · ☎ +91-22-4967-1439 · o.ashar@wiska.in · www.wiska.in