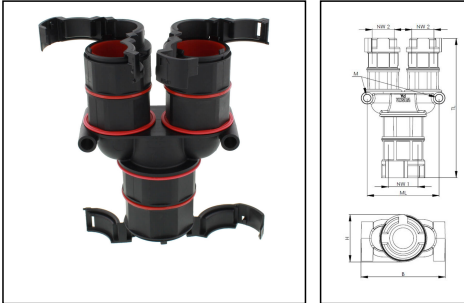


## BFY-48-36-36-BK

Y-Connector, polyamide, RAL 9005, NW 48-NW 36



Products may differ in size, colour and appearance to those shown. If you require further information or customisation, please contact us directly.



|                                      |                   |
|--------------------------------------|-------------------|
| <b>Material Conduit fitting</b>      | polyamide UL94-V0 |
| <b>Material sealing gasket</b>       | TPU               |
| <b>Protection class</b>              | IP68              |
| <b>Temp. range min</b>               | -40 °C            |
| <b>Temp. range max</b>               | 100 °C            |
| <b>NW 1</b>                          | 48                |
| <b>NW 2</b>                          | 36                |
| <b>Width B</b>                       | 126,3 mm          |
| <b>Height H</b>                      | 72 mm             |
| <b>Borehole M</b>                    | M6                |
| <b>Distance between boreholes ML</b> | 114,4 mm          |
| <b>Total length TL</b>               | 156,9 mm          |
| <b>Product Color</b>                 | RAL 9005          |
| <b>Type</b>                          | BFY-48-36-36-BK   |
| <b>Order no. RAL 9005</b>            | 10109759          |
| <b>Packing unit</b>                  | 2                 |
| <b>EAN number</b>                    | 4007686266290     |
| <b>Tariff number</b>                 | 39269097          |
| <b>ETIM-Classification</b>           | EC001176          |

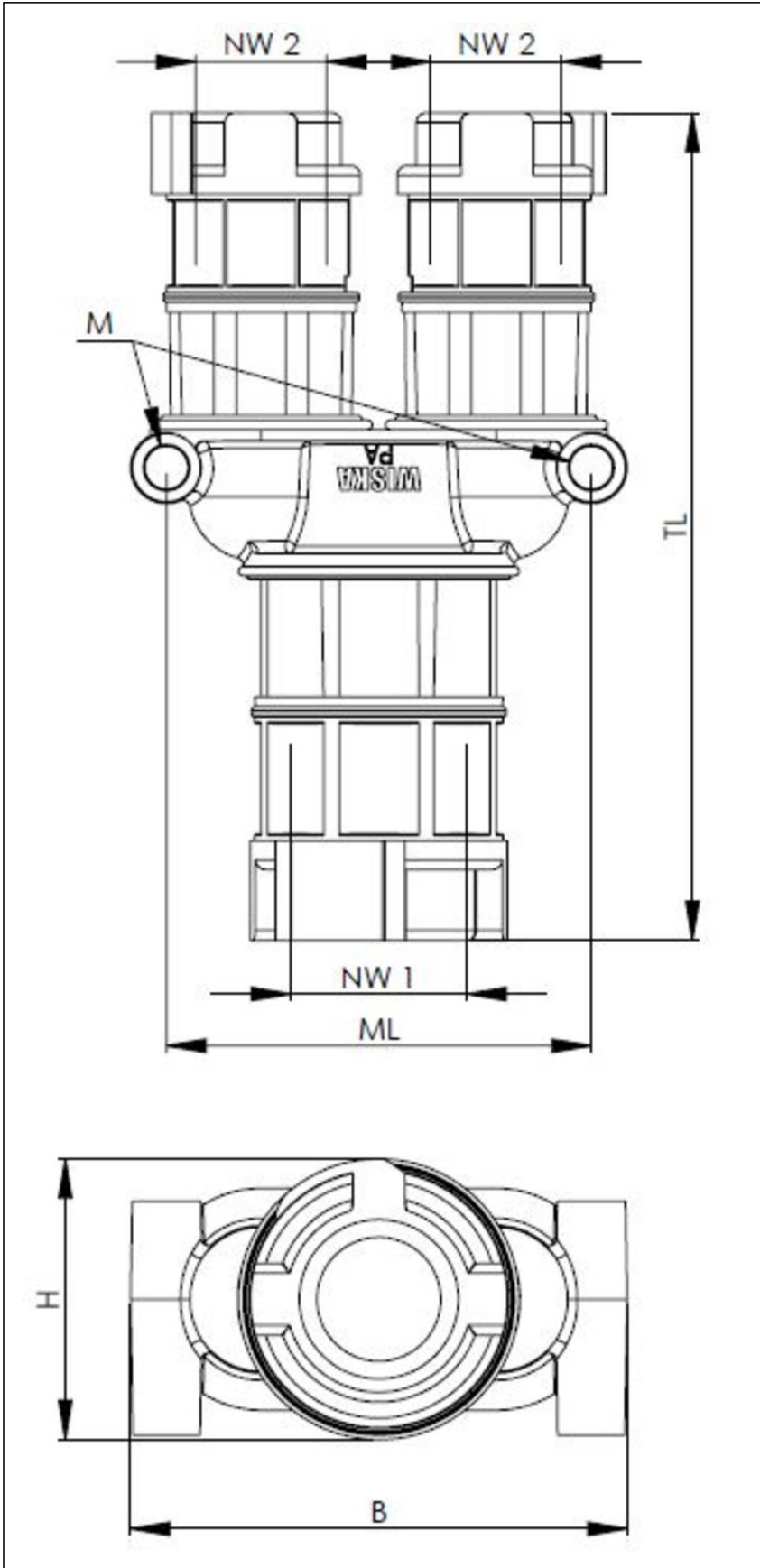
12.05.2026

Your Contact:

WISKA India Pvt. Ltd.

Mr. Omkar Ashar · Unit No.247/248,Raheja Tesla Industrial District II , Edison Bldg No.-1A,  
Plot No.GEN2/1/C/PART, TTC Industrial Area, MIDC, Juinagar, Navi Mumbai 400705, India

+91-22-4967-1438 · +91-22-4967-1439 · o.ashar@wiska.in · www.wiska.in



Your Contact:

**WISKA India Pvt. Ltd.**

Mr. Omkar Ashar · Unit No.247/248, Raheja Tesla Industrial District II , Edison Bldg No.-1A,  
Plot No.GEN2/1/C/PART, TTC Industrial Area, MIDC, Juinagar, Navi Mumbai 400705, India

☎ +91-22-4967-1438 · ☎ +91-22-4967-1439 · o.ashar@wiska.in · www.wiska.in