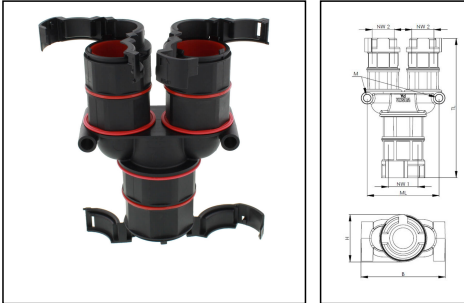


BFY-23-17-17-BG

Y-Connector, polyamide, RAL 7031, NW 23-NW 17



Products may differ in size, colour and appearance to those shown. If you require further information or customisation, please contact us directly.



BRACE



Material Conduit fitting	polyamide UL94-V0
Material sealing gasket	TPU
Protection class	IP68
Temp. range min	-40 °C
Temp. range max	100 °C
NW 1	23
NW 2	17
Width B	76,3 mm
Height H	41,6 mm
Borehole M	M6
Distance between boreholes ML	57,9 mm
Total length TL	129,8 mm
Product Color	RAL 7031
Type	BFY-23-17-17-BG
Order no. RAL 7031	10109762
Packing unit	5
EAN number	4007686266344
Tariff number	39269097
ETIM-Classification	EC001176

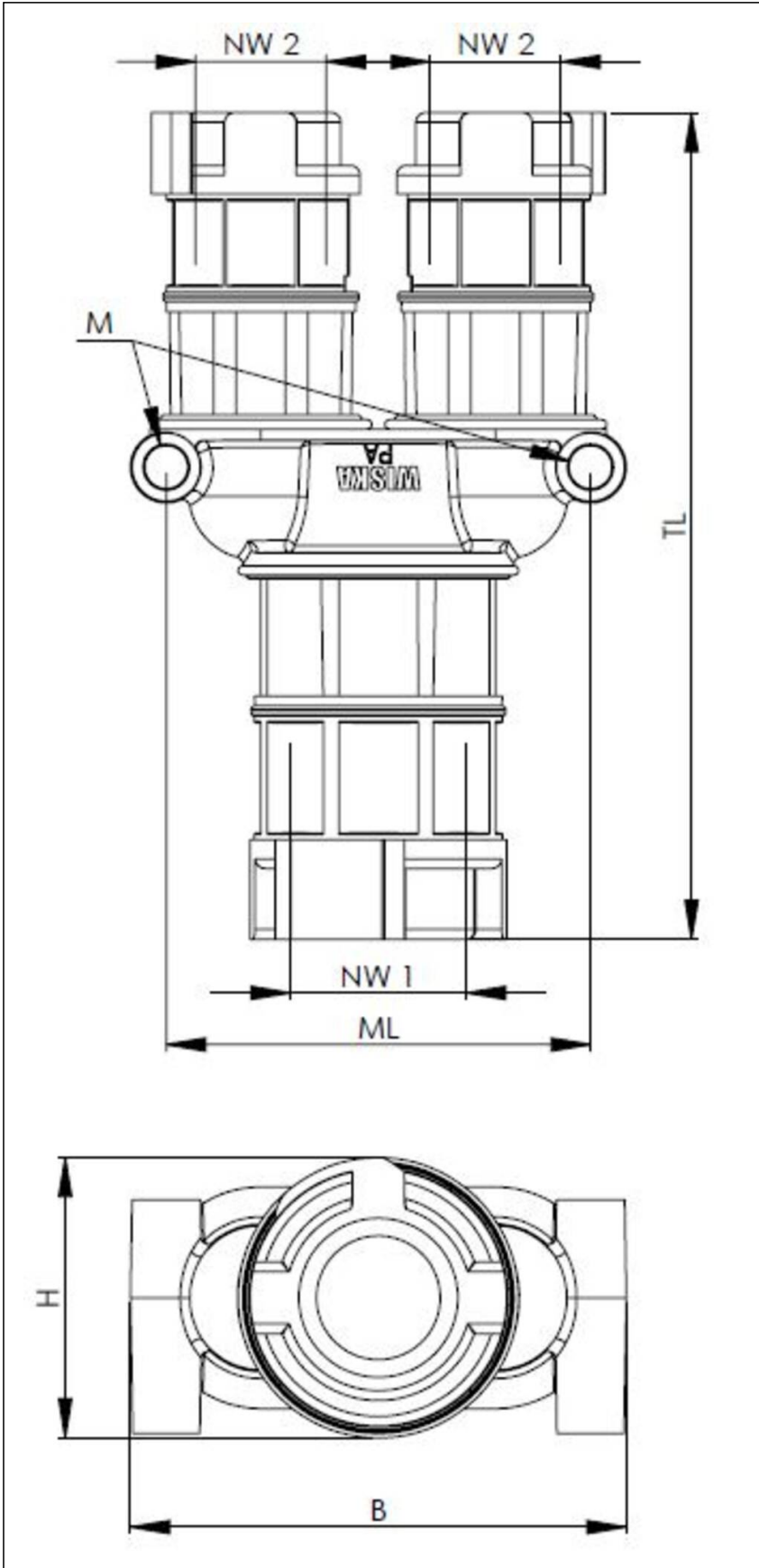
12.05.2026

Your Contact:

WISKA India Pvt. Ltd.

Mr. Omkar Ashar · Unit No.247/248,Raheja Tesla Industrial District II , Edison Bldg No.-1A,
Plot No.GEN2/1/C/PART, TTC Industrial Area, MIDC, Juinagar, Navi Mumbai 400705, India

☎ +91-22-4967-1438 · ☎ +91-22-4967-1439 · o.ashar@wiska.in · www.wiska.in



Your Contact:

WISKA India Pvt. Ltd.

Mr. Omkar Ashar · Unit No.247/248,Raheja Tesla Industrial District II , Edison Bldg No.-1A,
Plot No.GEN2/1/C/PART, TTC Industrial Area, MIDC, Juinagar, Navi Mumbai 400705, India

☎ +91-22-4967-1438 · ☎ +91-22-4967-1439 · o.ashar@wiska.in · www.wiska.in