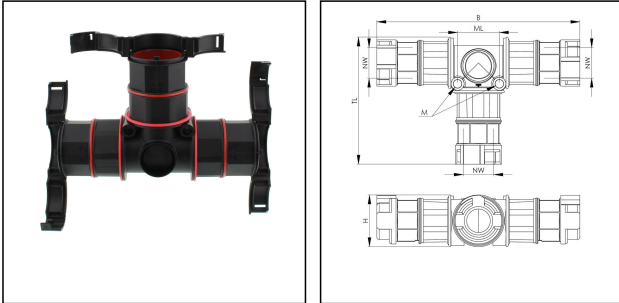


## BFT-12-12-12-BK

T-Connector, polyamide, RAL 9005, NW 12



Products may differ in size, colour and appearance to those shown. If you require further information or customisation, please contact us directly.



<b>Material Conduit fitting</b>	polyamide UL94-V0
<b>Material sealing gasket</b>	TPU
<b>Protection class</b>	IP68
<b>Temp. range min</b>	-40 °C
<b>Temp. range max</b>	100 °C
<b>NW</b>	12
<b>Width B</b>	124,9 mm
<b>Height H</b>	27 mm
<b>Borehole M</b>	M5
<b>Distance between boreholes ML</b>	22,4 mm
<b>Total length TL</b>	75 mm
<b>Product Color</b>	RAL 9005
<b>Type</b>	BFT-12-12-12-BK
<b>Order no. RAL 9005</b>	10109766
<b>Packing unit</b>	5
<b>EAN number</b>	4007686265446
<b>Tariff number</b>	39269097
<b>ETIM-Classification</b>	EC001176

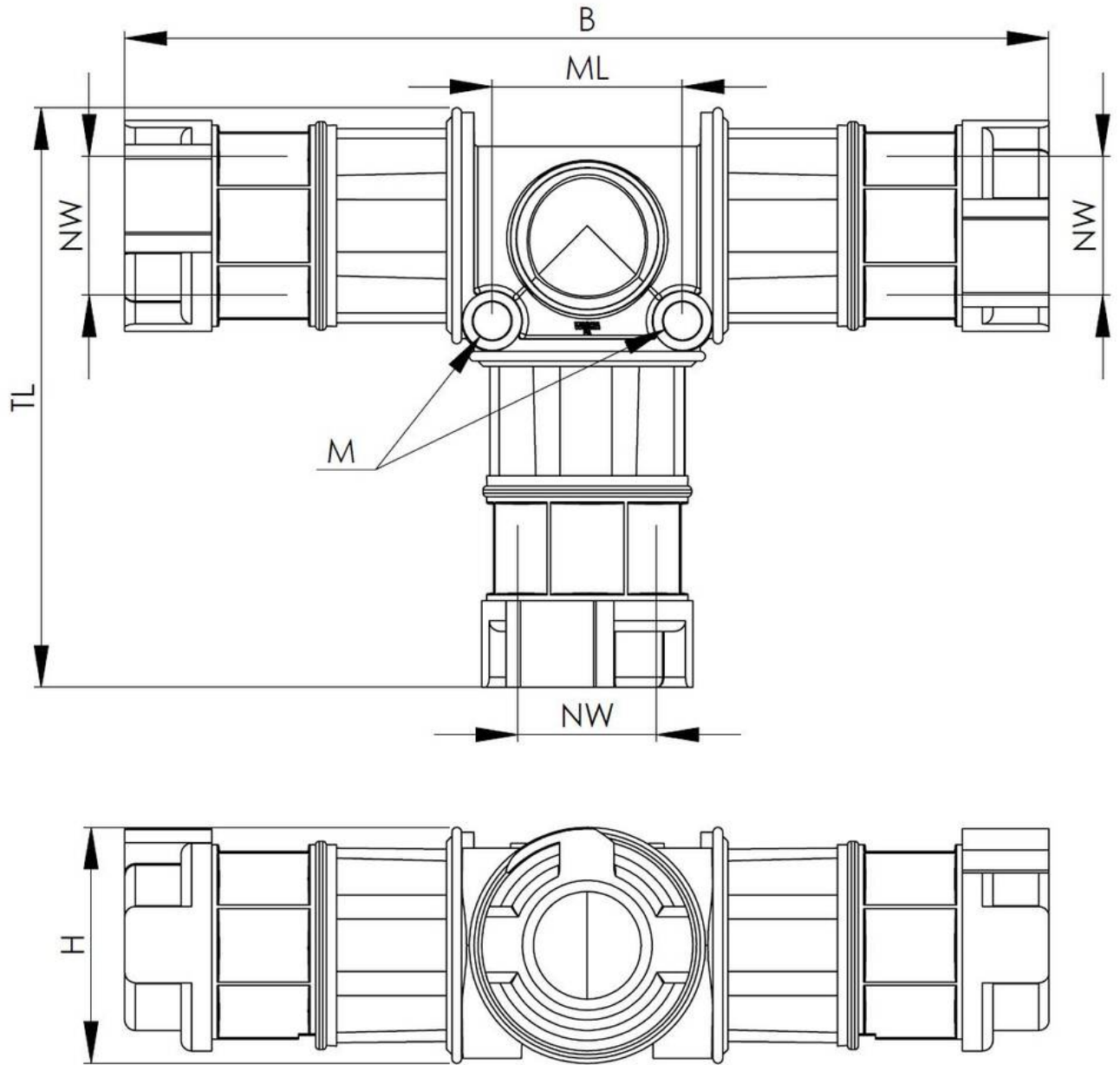
27.06.2026

Your Contact:

WISKA India Pvt. Ltd.

Mr. Omkar Ashar · Unit No.247/248,Raheja Tesla Industrial District II , Edison Bldg No.-1A,  
Plot No.GEN2/1/C/PART, TTC Industrial Area, MIDC, Juinagar, Navi Mumbai 400705, India

+91-22-4967-1438 · +91-22-4967-1439 · o.ashar@wiska.in · www.wiska.in



Your Contact:

**WISKA India Pvt. Ltd.**

Mr. Omkar Ashar · Unit No.247/248,Raheja Tesla Industrial District II , Edison Bldg No.-1A,  
Plot No.GEN2/1/C/PART, TTC Industrial Area, MIDC, Juinagar, Navi Mumbai 400705, India

☎ +91-22-4967-1438 · ☎ +91-22-4967-1439 · o.ashar@wiska.in · www.wiska.in