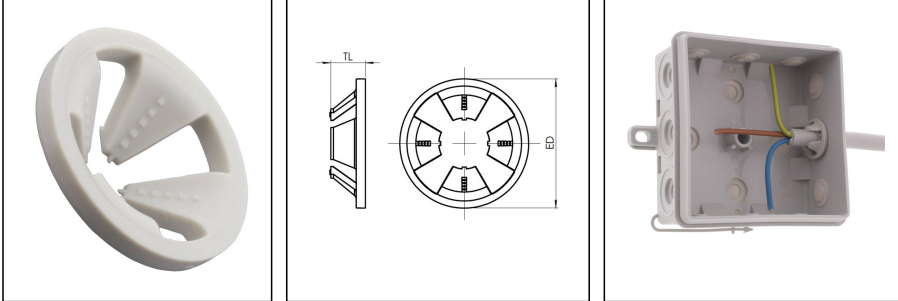


ZER 4-12 LG

Strain relief ring, PC + ABS-Blend V0, RAL 7035, 4-12mm



Products may differ in size, colour and appearance to those shown. If you require further information or customisation, please contact us directly.

Material	PC + ABS-Blend V0
Product Color	RAL 7035
Temp. range min	-30 °C
Temp. range max	100 °C
Ø cable diameter min	4 mm
Ø cable diameter max	12 mm
External diameter ED	19 mm
Total length TL	5,5 mm
Type	ZER 4-12 LG
WISKA-Order no.	10109800
Packing unit	10
EAN number	4007686101980
Tariff number	39269097

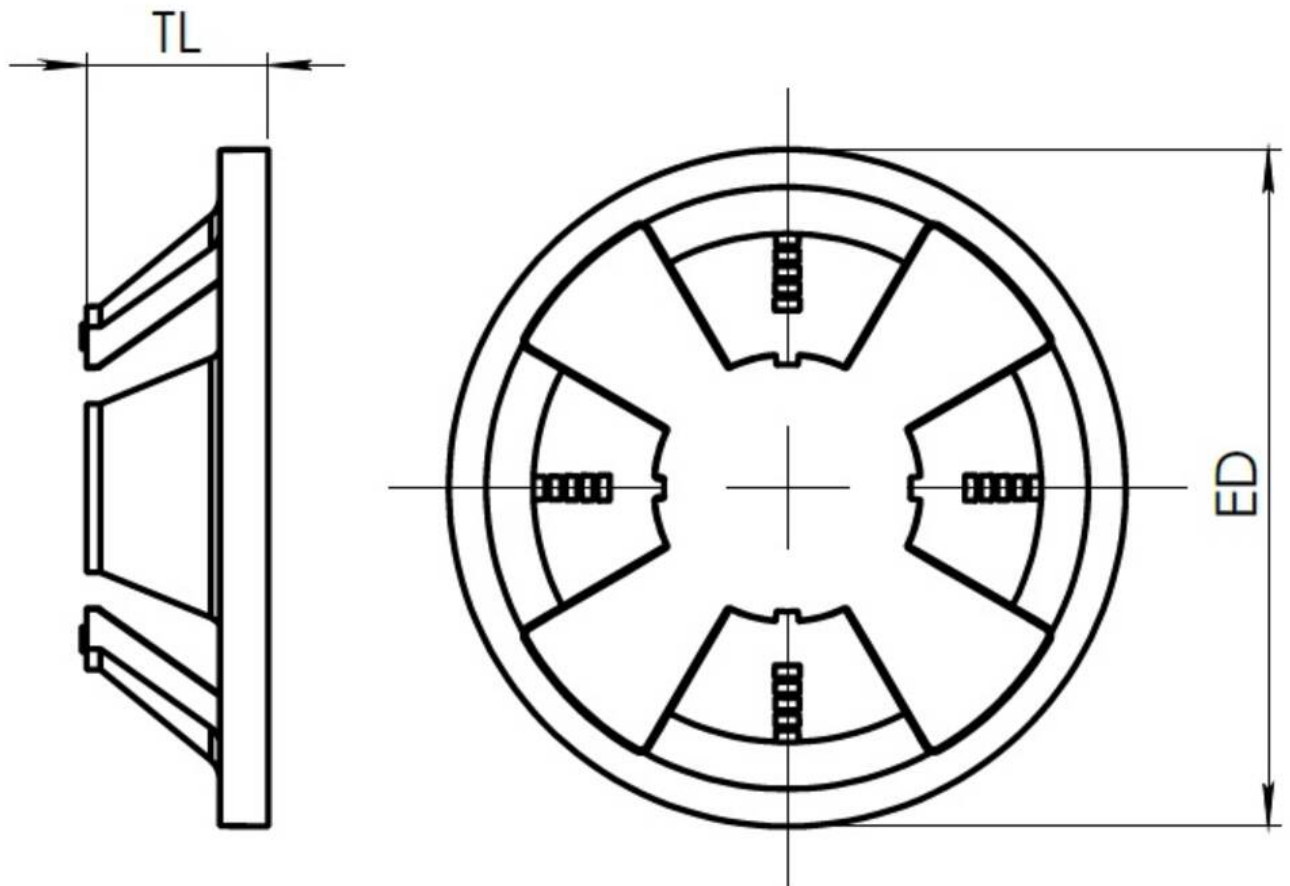
23.05.2026

Your Contact:

WISKA India Pvt. Ltd.

Mr. Omkar Ashar · Unit No.247/248,Raheja Tesla Industrial District II , Edison Bldg No.-1A,
Plot No.GEN2/1/C/PART, TTC Industrial Area, MIDC, Juinagar, Navi Mumbai 400705, India

☎ +91-22-4967-1438 · ☎ +91-22-4967-1439 · o.ashar@wiska.in · www.wiska.in



Your Contact:

WISKA India Pvt. Ltd.

Mr. Omkar Ashar · Unit No.247/248,Raheja Tesla Industrial District II , Edison Bldg No.-1A,
Plot No.GEN2/1/C/PART, TTC Industrial Area, MIDC, Juinagar, Navi Mumbai 400705, India

☎ +91-22-4967-1438 · ☎ +91-22-4967-1439 · o.ashar@wiska.in · www.wiska.in

Other technical data on request / subject to change without notice