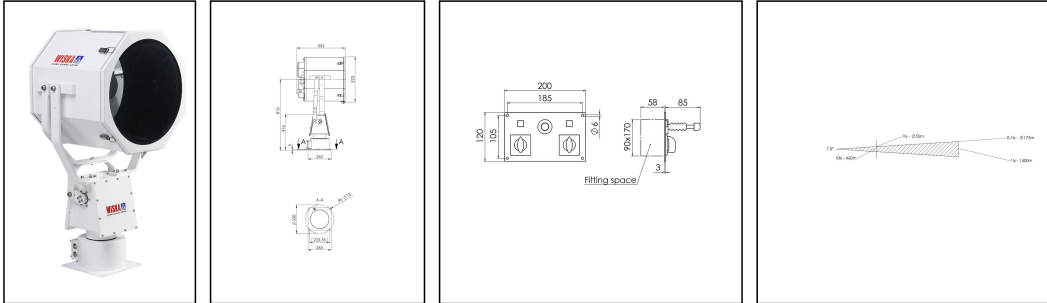


SW450 -2000-X(230)-P27-R02-I01-S04

Searchlight for halogen lamp Ø 450mm 2000W 230V



Products may differ in size, colour and appearance to those shown. If you require further information or customisation, please contact us directly.

| | |
|-------------------------------|------------------------------------|
| WISKA-Order no. | 10109832 |
| Type | SW450 -2000-X(230)-P27-R02-I01-S04 |
| P/T-Type | FL52/230VAC |
| Horizontal °/s | 5 °/sec |
| Vertical °/s | 2,4 °/sec |
| Rotation horizontal | +185°/-185° |
| Rotation vertical | +34° / -34° |
| Material | Stainless steel |
| Colour | RAL 9016 |
| Surface | Powder coated |
| Wattage | 2000 W |
| Voltage max. (V) | 230 V |
| Type of Voltage | AC |
| Frequence | 50/60 Hz |
| Protection class | IP56 |
| Operational areas | Outdoor |
| Reflector | Glass |
| Focusing | manuel |
| Lightsource | Halogen lamp |
| Lightsource incl. | No |
| Light performance | immediately |
| Range (1 lux) | 1430 m |
| Light intensity mio/cd | 2 |
| Divergence | 7°/10 |
| Lampholder | GY 16 |

Your Contact:

WISKA India Pvt. Ltd.

Mr. Omkar Ashar · Unit No.247/248,Raheja Tesla Industrial District II , Edison Bldg No.-1A,
Plot No.GEN2/1/C/PART, TTC Industrial Area, MIDC, Juinagar, Navi Mumbai 400705, India

☎ +91-22-4967-1438 · ☎ +91-22-4967-1439 · o.ashar@wiska.in · www.wiska.in

| | |
|-----------------------------|------------------------------|
| Number of lampholder | 1 ST |
| Temp. range min | -25 °C |
| Temp. range max | 45 °C |
| Control unit | RCU-E |
| Type of cable gland | ESKVS 20 |
| Material cable gland | Polyamide |
| Type of cable | non-armoured |
| Power cable | H07RN-F 3x1,5mm ² |
| Ø cable diameter min | 6 mm |
| Ø cable diameter max | 13 mm |
| Globe colour | Clear |
| Mounting | Upside |
| Tariff number | 94054910 |

Remarks:

SW450: Searchlight for halogen-lamp 230V, IP56, glass parabolic mirror 450mm
2000W

Voltage: 230V

P27: Pan and Tilt unit FL52, 230V

R02: Remote control unit, recessed, RCU-E, 230V

I01: manuel, stepless focusing

S04: 10m connecting cable

Equipment:

- Toughened front glass
- Rubber sealing
- Quick fastening devices
- Connection cable 10m
- Anti dazzle screen

Spare parts

| | |
|---|----------|
| SP-S-450 front frame + front glass | 22000018 |
| SP-S-Quick releases clamp (4 pcs) | 22000050 |
| SP-S-RCU-Position control switch XD2-GE3 | 22000060 |
| SP-S-RCU-ON/OFF Switch | 22000061 |
| SP-S-RCU-Lamp on indicator 230V square | 22000062 |
| SP-S-Searchlight silicone 310ml | 22000067 |
| SP-SW-Gasket for searchlight housing | 22000116 |
| SP-SW-Halogen lamp 2000W 230V GY16 | 22000517 |
| SP-SW-1998 Lampholder GY16 | 22000624 |

Your Contact:

WISKA India Pvt. Ltd.

Mr. Omkar Ashar · Unit No.247/248,Raheja Tesla Industrial District II , Edison Bldg No.-1A,
Plot No.GEN2/1/C/PART, TTC Industrial Area, MIDC, Juinagar, Navi Mumbai 400705, India

☎ +91-22-4967-1438 · ☎ +91-22-4967-1439 · o.ashar@wiska.in · www.wiska.in

| | |
|---|----------|
| SP-SW450 Mirror unit 2000W | 22000641 |
| SP-S-FL52 Motor Unit Tilt (V) 230VAC | 22001025 |
| SP-S-FL52 Motor Unit Pan (H) 230VAC | 22001026 |
| SP-S-FL52 Cover sealing set | 22001027 |
| SP-S-FL52 Limit Switch Unit Tilt (V) | 22001028 |
| SP-S-FL52 Toothed wheel (H) | 22001029 |
| SP-S-FL52 Circuit board 230VAC | 22001030 |
| SP-S-FL52 Limit Switch Pan (H) | 22001031 |
| SP-S-FL52 Limit Switch Tilt (V) | 22001032 |
| SP-S-FL52 Motor Plate Tilt (V) 230VAC | 22001033 |
| SP-S-FL52 Internal control cable 7G1.0 | 22001034 |

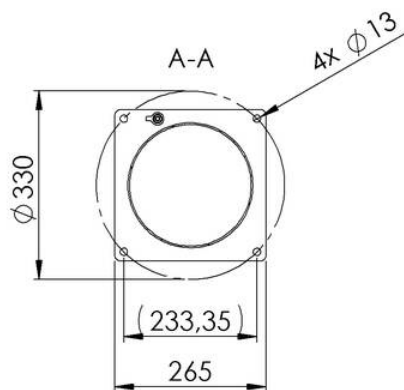
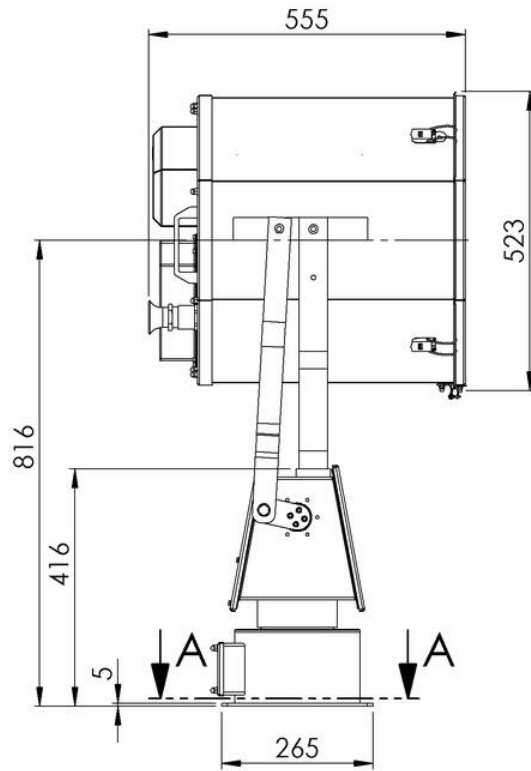
12.05.2026

Your Contact:

WISKA India Pvt. Ltd.

Mr. Omkar Ashar · Unit No.247/248,Raheja Tesla Industrial District II , Edison Bldg No.-1A,
Plot No.GEN2/1/C/PART, TTC Industrial Area, MIDC, Juinagar, Navi Mumbai 400705, India

☎ +91-22-4967-1438 · ☎ +91-22-4967-1439 · o.ashar@wiska.in · www.wiska.in



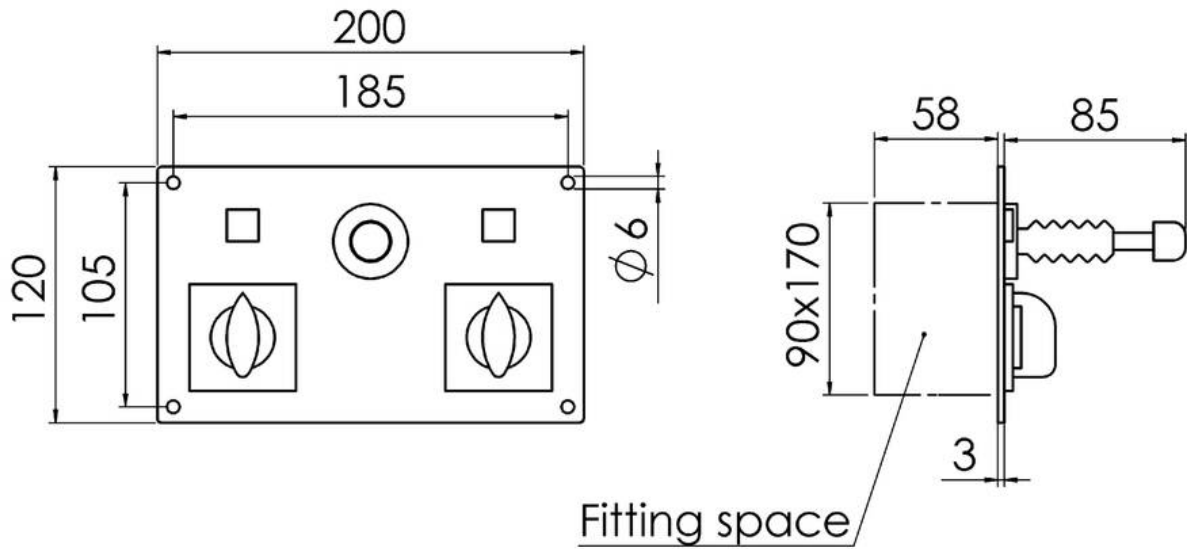
Your Contact:

WISKA India Pvt. Ltd.

Mr. Omkar Ashar · Unit No.247/248,Raheja Tesla Industrial District II , Edison Bldg No.-1A,
Plot No.GEN2/1/C/PART, TTC Industrial Area, MIDC, Juinagar, Navi Mumbai 400705, India

☎ +91-22-4967-1438 · ☎ +91-22-4967-1439 · o.ashar@wiska.in · www.wiska.in

Other technical data on request / subject to change without notice

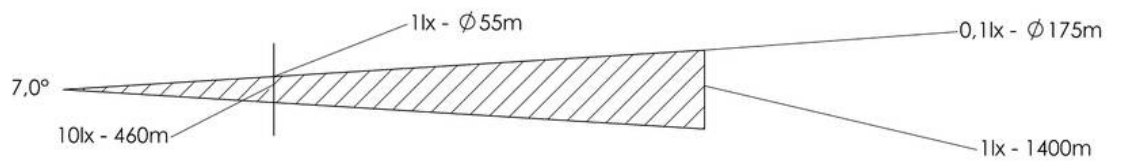


Your Contact:

WISKA India Pvt. Ltd.

Mr. Omkar Ashar · Unit No.247/248, Raheja Tesla Industrial District II , Edison Bldg No.-1A,
Plot No.GEN2/1/C/PART, TTC Industrial Area, MIDC, Juinagar, Navi Mumbai 400705, India

☎ +91-22-4967-1438 · ☎ +91-22-4967-1439 · o.ashar@wiska.in · www.wiska.in



Your Contact:

WISKA India Pvt. Ltd.

Mr. Omkar Ashar · Unit No.247/248,Raheja Tesla Industrial District II , Edison Bldg No.-1A,
Plot No.GEN2/1/C/PART, TTC Industrial Area, MIDC, Juinagar, Navi Mumbai 400705, India

☎ +91-22-4967-1438 · ☎ +91-22-4967-1439 · o.ashar@wiska.in · www.wiska.in

Other technical data on request / subject to change without notice