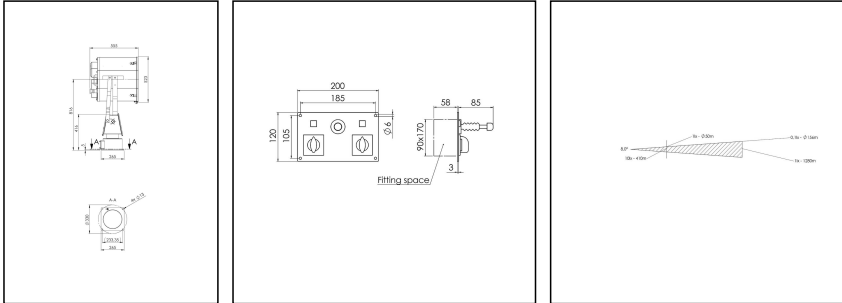


SW450A-2000-X(230)-P27-R02

Searchlight for halogen lamp Ø 450mm 2000W 230V, aluminium reflector



Products may differ in size, colour and appearance to those shown. If you require further information or customisation, please contact us directly.

WISKA-Order no.	10109834
Type	SW450A-2000-X(230)-P27-R02
P/T-Type	FL52/230VAC
Horizontal °/s	5 °/sec
Vertical °/s	2,4 °/sec
Rotation horizontal	+185°/-185°
Rotation vertical	+34° / -34°
Material	Stainless steel
Colour	RAL 9016
Surface	Powder coated
Wattage	2000 W
Voltage max. (V)	230 V
Type of Voltage	AC
Frequence	50/60 Hz
Protection class	IP56
Operational areas	Outdoor
Reflector	Aluminium
Focusing	fixed focus
Lightsource	Halogen lamp
Lightsource incl.	No
Light performance	immediately
Range (1 lux)	1280 m
Light intensity mio/cd	1,6
Divergence	7°/10
Lampholder	GY 16

Your Contact:

WISKA India Pvt. Ltd.

Mr. Omkar Ashar · Unit No.247/248,Raheja Tesla Industrial District II , Edison Bldg No.-1A,
Plot No.GEN2/1/C/PART, TTC Industrial Area, MIDC, Juinagar, Navi Mumbai 400705, India

☎ +91-22-4967-1438 · ☎ +91-22-4967-1439 · o.ashar@wiska.in · www.wiska.in

Number of lampholder	1 ST
Temp. range min	-25 °C
Temp. range max	45 °C
Control unit	RCU-E
Type of cable gland	ESKVS 20
Material cable gland	Polyamide
Type of cable	non-armoured
Power cable	H07RN-F 3x2,5mm ²
Ø cable diameter min	6 mm
Ø cable diameter max	13 mm
Globe colour	Clear
Mounting	Upside
Tariff number	94054910

Remarks:

SW450A: Searchlight for halogen-lamp 230V, IP56, aluminium parabolic mirror 450mm
 2000W
 Voltage: 230V
 P27: Pan and Tilt unit FL52, 230V
 R02: Remote control unit, recessed, RCU-E, 230V

Equipment:

- Toughened front glass
- Rubber sealing
- Quick fastening devices
- Connection cable 3m
- Anti dazzle screen

Spare parts

SP-S-450 front frame + front glass	22000018
SP-S-Quick releases clamp (4 pcs)	22000050
SP-S-RCU-Position control switch XD2-GE3	22000060
SP-S-RCU-ON/OFF Switch	22000061
SP-S-RCU-Lamp on indicator 230V square	22000062
SP-S-Searchlight silicone 310ml	22000067
SP-SW-Gasket for searchlight housing	22000116
SP-SW-Halogen lamp 2000W 230V GY16	22000517
SP-SW450A Primary reflector	22000623
SP-SW-1998 Lampholder GY16	22000624
SP-S-FL52 Motor Unit Tilt (V) 230VAC	22001025

Your Contact:

WISKA India Pvt. Ltd.

Mr. Omkar Ashar · Unit No.247/248,Raheja Tesla Industrial District II , Edison Bldg No.-1A,
 Plot No.GEN2/1/C/PART, TTC Industrial Area, MIDC, Juinagar, Navi Mumbai 400705, India

☎ +91-22-4967-1438 · ☎ +91-22-4967-1439 · o.ashar@wiska.in · www.wiska.in

SP-S-FL52 Motor Unit Pan (H) 230VAC	22001026
SP-S-FL52 Cover sealing set	22001027
SP-S-FL52 Limit Switch Unit Tilt (V)	22001028
SP-S-FL52 Toothed wheel (H)	22001029
SP-S-FL52 Circuit board 230VAC	22001030
SP-S-FL52 Limit Switch Pan (H)	22001031
SP-S-FL52 Limit Switch Tilt (V)	22001032
SP-S-FL52 Motor Plate Tilt (V) 230VAC	22001033
SP-S-FL52 Internal control cable 7G1.0	22001034

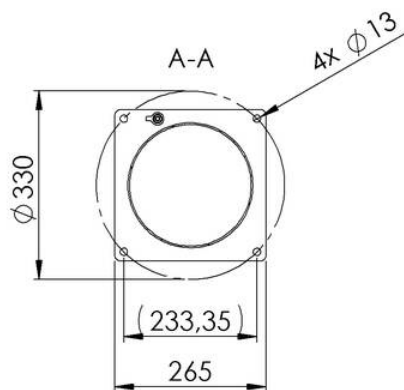
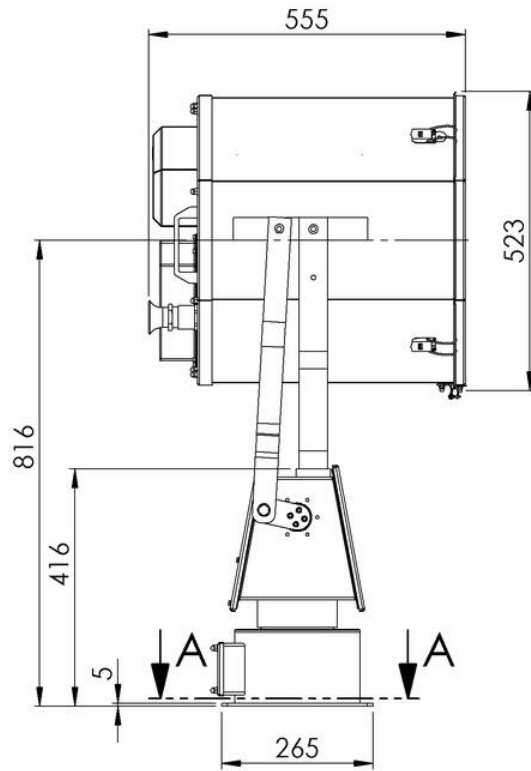
12.05.2026

Your Contact:

WISKA India Pvt. Ltd.

Mr. Omkar Ashar · Unit No.247/248,Raheja Tesla Industrial District II , Edison Bldg No.-1A,
Plot No.GEN2/1/C/PART, TTC Industrial Area, MIDC, Juinagar, Navi Mumbai 400705, India

☎ +91-22-4967-1438 · ☎ +91-22-4967-1439 · o.ashar@wiska.in · www.wiska.in



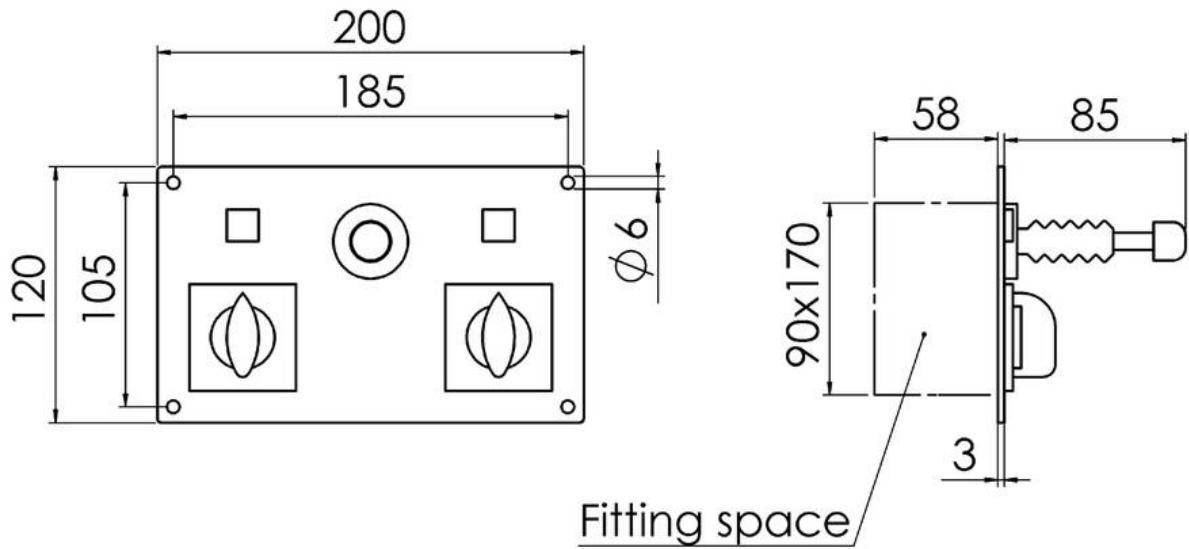
Your Contact:

WISKA India Pvt. Ltd.

Mr. Omkar Ashar · Unit No.247/248,Raheja Tesla Industrial District II , Edison Bldg No.-1A,
Plot No.GEN2/1/C/PART, TTC Industrial Area, MIDC, Juinagar, Navi Mumbai 400705, India

☎ +91-22-4967-1438 · ☎ +91-22-4967-1439 · o.ashar@wiska.in · www.wiska.in

Other technical data on request / subject to change without notice

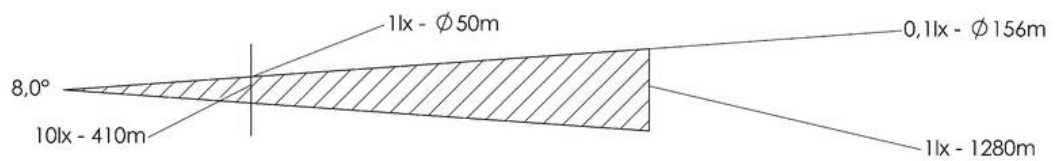


Your Contact:

WISKA India Pvt. Ltd.

Mr. Omkar Ashar · Unit No.247/248,Raheja Tesla Industrial District II , Edison Bldg No.-1A,
Plot No.GEN2/1/C/PART, TTC Industrial Area, MIDC, Juinagar, Navi Mumbai 400705, India

☎ +91-22-4967-1438 · ☎ +91-22-4967-1439 · o.ashar@wiska.in · www.wiska.in



Your Contact:

WISKA India Pvt. Ltd.

Mr. Omkar Ashar · Unit No.247/248,Raheja Tesla Industrial District II , Edison Bldg No.-1A,
Plot No.GEN2/1/C/PART, TTC Industrial Area, MIDC, Juinagar, Navi Mumbai 400705, India

☎ +91-22-4967-1438 · ☎ +91-22-4967-1439 · o.ashar@wiska.in · www.wiska.in

Other technical data on request / subject to change without notice