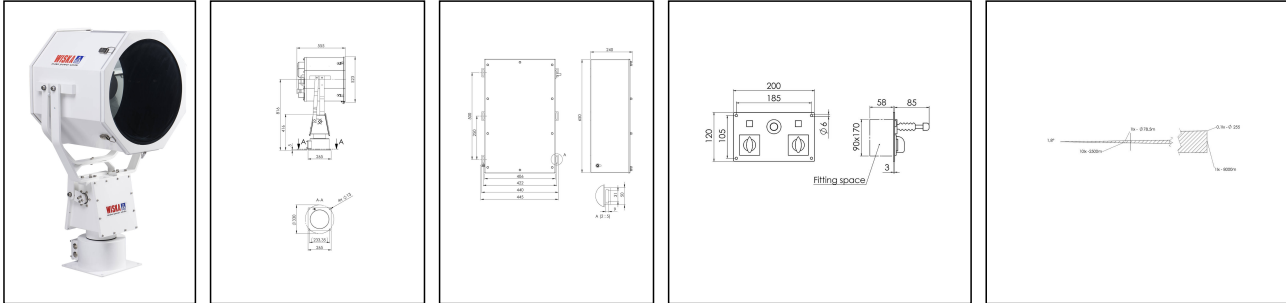


## SX450 -1000-EO(220)-P27-R03-S03

Searchlight with Xenon lamp Ø 450mm 1000W 230V



Products may differ in size, colour and appearance to those shown. If you require further information or customisation, please contact us directly.

<b>WISKA-Order no.</b>	10109837
<b>Type</b>	SX450 -1000-EO(220)-P27-R03-S03
<b>P/T-Type</b>	FL52/230VAC
<b>Horizontal °/s</b>	5 °/sec
<b>Vertical °/s</b>	2,4 °/sec
<b>Rotation horizontal</b>	+185°/-185°
<b>Rotation vertical</b>	+34° / -34°
<b>Material</b>	Stainless steel
<b>Control unit</b>	RCU-E
<b>Wattage</b>	1000 W
<b>Colour</b>	RAL 9016
<b>Surface</b>	Powder coated
<b>Voltage</b>	230 V
<b>Type of Voltage</b>	AC
<b>Frequence</b>	50/60 Hz
<b>Protection class</b>	IP56
<b>Operational areas</b>	Outdoor
<b>Reflector</b>	Glass
<b>Focusing</b>	fixed focus
<b>Lightsource</b>	Xenon lamp
<b>Lightsource incl.</b>	Yes
<b>Luminous flux</b>	32000 lm
<b>Average lamp durability</b>	2000 h
<b>Light performance</b>	immediately
<b>Range (1 lux)</b>	8000 m

Your Contact:

WISKA India Pvt. Ltd.

Mr. Omkar Ashar · Unit No.247/248,Raheja Tesla Industrial District II , Edison Bldg No.-1A,  
Plot No.GEN2/1/C/PART, TTC Industrial Area, MIDC, Juinagar, Navi Mumbai 400705, India

☎ +91-22-4967-1438 · ☎ +91-22-4967-1439 · o.ashar@wiska.in · www.wiska.in

<b>Light intensity mio/cd</b>	64
<b>Divergence</b>	1,8°l/10
<b>Temp. range min</b>	-25 °C
<b>Temp. range max</b>	45 °C
<b>Power supply, electronic</b>	PSUX-E: 1000W outdoor
<b>Type of cable gland</b>	ESKVS 32, ESKVS 20
<b>Material cable gland</b>	Polyamide
<b>Type of cable</b>	non-armoured
<b>Globe colour</b>	Clear
<b>Mounting</b>	Upside
<b>Tariff number</b>	94054910

Remarks:

SX450: Searchlight with xenon short arc lamp 1000W, IP56 glass parabolic mirror 450mm  
1000W  
EO(220):Electronic power supply unit PSUX-EO outside IP66/67 + heater, 230V  
P27: Pan and Tilt unit FL52, 230V  
R03: Remote control unit recessed, RCU-E, 230V for PSU  
S03: 15m connecting cable

Equipment:

- Toughened front glass
- Rubber sealing
- Quick fastening devices
- Ignition unit
- Stand-by heater
- Anti dazzle screen

Spare parts

<b>SP-S-450 front frame + front glass</b>	22000018
<b>SP-SX/SH-450 Primary mirror</b>	22000019
<b>SP-SX/SH-450 Auxiliary reflector 100mm</b>	22000020
<b>SP-SX450 Xenon lamp 1000W</b>	22000022
<b>SP-SX450-Ignition unit XBO 1000W</b>	22000035
<b>SP-S-Quick releases clamp (4 pcs)</b>	22000050
<b>SP-S-RCU-Position control switch XD2-GE3</b>	22000060
<b>SP-S-RCU-ON/OFF Switch</b>	22000061
<b>SP-S-RCU-Lamp on indicator 230V square</b>	22000062
<b>SP-S-Searchlight silicone 310ml</b>	22000067
<b>SP-SW-Gasket for searchlight housing</b>	22000116

Your Contact:

WISKA India Pvt. Ltd.

Mr. Omkar Ashar · Unit No.247/248,Raheja Tesla Industrial District II , Edison Bldg No.-1A,  
Plot No.GEN2/1/C/PART, TTC Industrial Area, MIDC, Juinagar, Navi Mumbai 400705, India

☎ +91-22-4967-1438 · ☎ +91-22-4967-1439 · o.ashar@wiska.in · www.wiska.in

<b>SP-S-FL52 Motor Unit Tilt (V) 230VAC</b>	22001025
<b>SP-S-FL52 Motor Unit Pan (H) 230VAC</b>	22001026
<b>SP-S-FL52 Cover sealing set</b>	22001027
<b>SP-S-FL52 Limit Switch Unit Tilt (V)</b>	22001028
<b>SP-S-FL52 Toothed wheel (H)</b>	22001029
<b>SP-S-FL52 Circuit board 230VAC</b>	22001030
<b>SP-S-FL52 Limit Switch Pan (H)</b>	22001031
<b>SP-S-FL52 Limit Switch Tilt (V)</b>	22001032
<b>SP-S-FL52 Motor Plate Tilt (V) 230VAC</b>	22001033
<b>SP-S-FL52 Internal control cable 7G1.0</b>	22001034

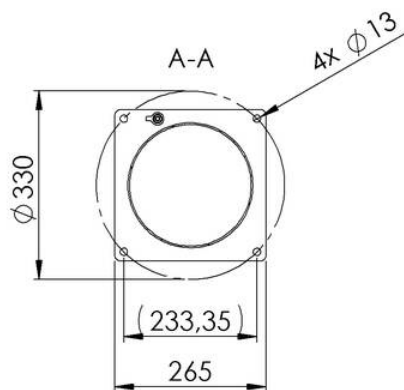
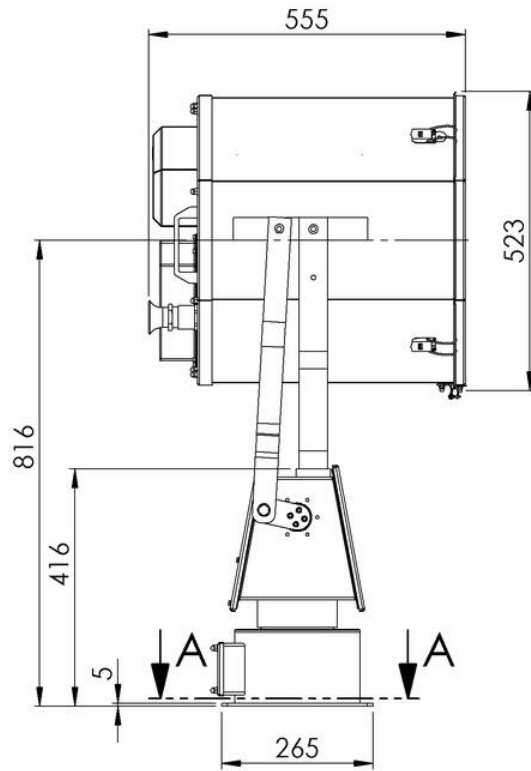
12.05.2026

Your Contact:

**WISKA India Pvt. Ltd.**

Mr. Omkar Ashar · Unit No.247/248,Raheja Tesla Industrial District II , Edison Bldg No.-1A,  
Plot No.GEN2/1/C/PART, TTC Industrial Area, MIDC, Juinagar, Navi Mumbai 400705, India

☎ +91-22-4967-1438 · ☎ +91-22-4967-1439 · o.ashar@wiska.in · www.wiska.in

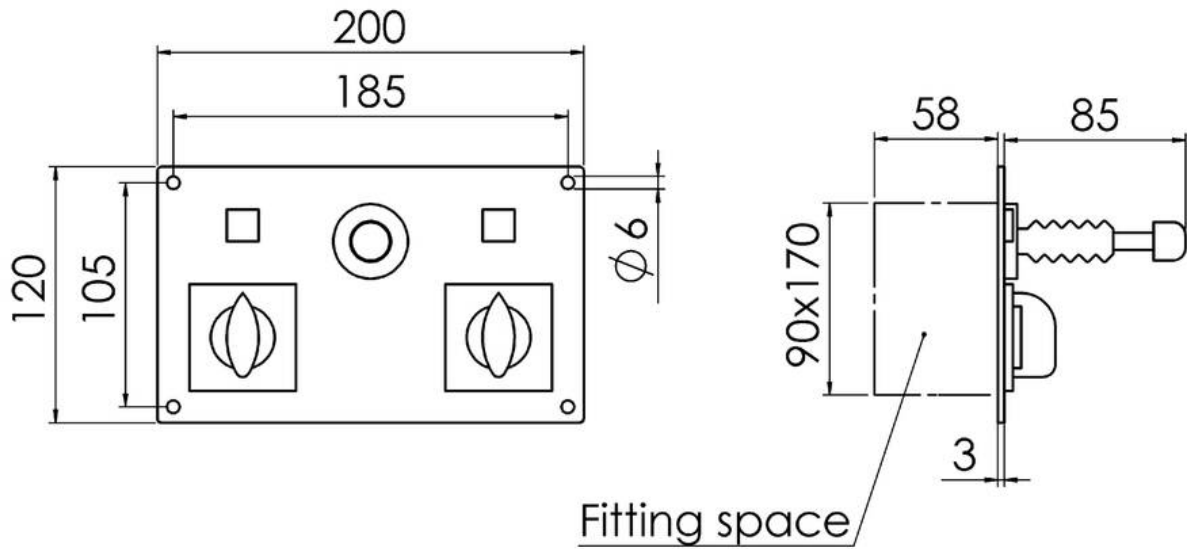


Your Contact:

**WISKA India Pvt. Ltd.**

Mr. Omkar Ashar · Unit No.247/248,Raheja Tesla Industrial District II , Edison Bldg No.-1A,  
Plot No.GEN2/1/C/PART, TTC Industrial Area, MIDC, Juinagar, Navi Mumbai 400705, India

☎ +91-22-4967-1438 · ☎ +91-22-4967-1439 · o.ashar@wiska.in · www.wiska.in



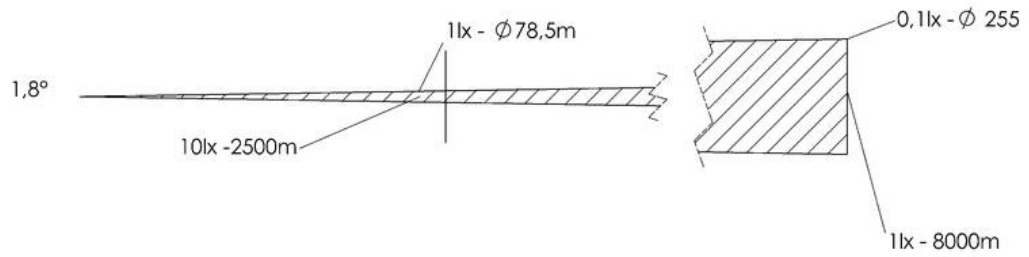
Your Contact:

**WISKA India Pvt. Ltd.**

Mr. Omkar Ashar · Unit No.247/248, Raheja Tesla Industrial District II , Edison Bldg No.-1A,  
Plot No.GEN2/1/C/PART, TTC Industrial Area, MIDC, Juinagar, Navi Mumbai 400705, India

☎ +91-22-4967-1438 · ☎ +91-22-4967-1439 · o.ashar@wiska.in · www.wiska.in

Other technical data on request / subject to change without notice



Your Contact:

**WISKA India Pvt. Ltd.**

Mr. Omkar Ashar · Unit No.247/248, Raheja Tesla Industrial District II , Edison Bldg No.-1A,  
Plot No.GEN2/1/C/PART, TTC Industrial Area, MIDC, Juinagar, Navi Mumbai 400705, India

☎ +91-22-4967-1438 · ☎ +91-22-4967-1439 · o.ashar@wiska.in · www.wiska.in

Other technical data on request / subject to change without notice