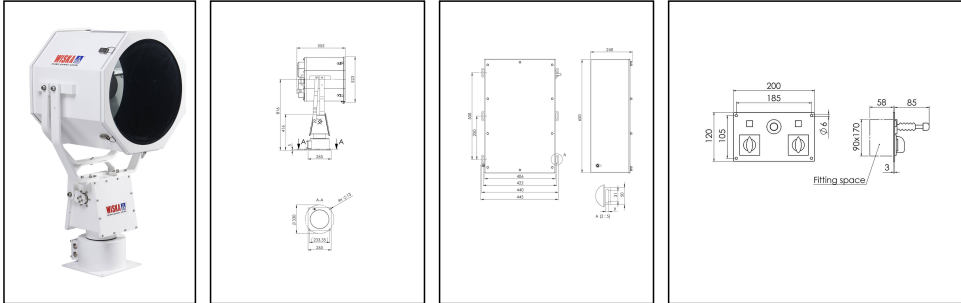


## SX450 -2000+EO(220)-P27-R07-I10

Searchlight with Xenon lamp Ø 450mm 2000W 230V



Products may differ in size, colour and appearance to those shown. If you require further information or customisation, please contact us directly.

<b>WISKA-Order no.</b>	10110051
<b>Type</b>	SX450 -2000+EO(220)-P27-R07-I10
<b>P/T-Type</b>	FL52/230VAC
<b>Horizontal °/s</b>	5 °/sec
<b>Vertical °/s</b>	2,4 °/sec
<b>Rotation horizontal</b>	+185°/-185°
<b>Rotation vertical</b>	+34° / -34°
<b>Material</b>	Stainless steel
<b>Control unit</b>	RCU-E
<b>Wattage</b>	2000 W
<b>Colour</b>	RAL 9016
<b>Surface</b>	Powder coated
<b>Voltage</b>	230 V
<b>Type of Voltage</b>	AC
<b>Frequence</b>	50/60 Hz
<b>Protection class</b>	IP56
<b>Operational areas</b>	Outdoor
<b>Reflector</b>	Glass
<b>Focusing</b>	electric
<b>Lightsource</b>	Xenon lamp
<b>Lightsource incl.</b>	Yes
<b>Luminous flux</b>	80000 lm
<b>Average lamp durability</b>	2400 h
<b>Light performance</b>	immediately
<b>Range (1 lux)</b>	9600 m

Your Contact:

WISKA India Pvt. Ltd.

Mr. Omkar Ashar · Unit No.247/248,Raheja Tesla Industrial District II , Edison Bldg No.-1A,  
Plot No.GEN2/1/C/PART, TTC Industrial Area, MIDC, Juinagar, Navi Mumbai 400705, India

☎ +91-22-4967-1438 · ☎ +91-22-4967-1439 · o.ashar@wiska.in · www.wiska.in

Light intensity mio/cd	92
Divergence	2,7°/1/10
Temp. range min	-55 °C
Temp. range max	45 °C
Power supply, electronic	PSUX-E: 2000W outdoor
Type of cable gland	M 25 x 1,5
Material cable gland	Brass
Type of cable	non-armoured
Ø cable diameter min	8 mm
Ø cable diameter max	10,5 mm
Globe colour	Clear
Mounting	Upside
Tariff number	94054910

## Remarks:

SX450: Searchlight with xenon short arc lamp 2000W, IP56 glass parabolic mirror 450mm  
2000W

EO(220): Electronic power supply unit PSUX-EO outside IP66/67 + heater, 230V

P27: Pan and Tilt unit FL52, 230V

R07: Remote control unit RCU-E-F, 230V Focus for PSU

I10: with electric focus and ICE searchlight with special heating and cable

## Equipment:

- Toughened front glass
- Rubber sealing
- Quick fastening devices
- Ignition unit
- Stand-by heater
- Connection cable 3m
- Anti dazzle screen

## Spare parts

SP-S-450 front frame + front glass	22000018
SP-SX/SH-450 Primary mirror	22000019
SP-SX/SH-450 Auxiliary reflector 100mm	22000020
SP-SX450 Blower kit for searchlight head	22000025
SP-SX450 Thermostat for blower 50°C	22000026
SP-S-Standby heating unit	22000027
SP-SX450 Focus motor kit	22000028
SP-S-Quick releases clamp (4 pcs)	22000050

## Your Contact:

WISKA India Pvt. Ltd.

Mr. Omkar Ashar · Unit No.247/248,Raheja Tesla Industrial District II , Edison Bldg No.-1A,  
Plot No.GEN2/1/C/PART, TTC Industrial Area, MIDC, Juinagar, Navi Mumbai 400705, India

☎ +91-22-4967-1438 · ☎ +91-22-4967-1439 · o.ashar@wiska.in · www.wiska.in

<b>SP-S-Searchlight silicone 310ml</b>	22000067
<b>SP-SW-Gasket for searchlight housing</b>	22000116
<b>SP-SX450 Xenon lamp Kit 2000W (from2012)</b>	22000234
<b>SP-S-FL52 Motor Unit Tilt (V) 230VAC</b>	22001025
<b>SP-S-FL52 Motor Unit Pan (H) 230VAC</b>	22001026
<b>SP-S-FL52 Cover sealing set</b>	22001027
<b>SP-S-FL52 Limit Switch Unit Tilt (V)</b>	22001028
<b>SP-S-FL52 Toothed wheel (H)</b>	22001029
<b>SP-S-FL52 Circuit board 230VAC</b>	22001030
<b>SP-S-FL52 Limit Switch Pan (H)</b>	22001031
<b>SP-S-FL52 Limit Switch Tilt (V)</b>	22001032
<b>SP-S-FL52 Motor Plate Tilt (V) 230VAC</b>	22001033
<b>SP-S-FL52 Internal control cable 7G1.0</b>	22001034

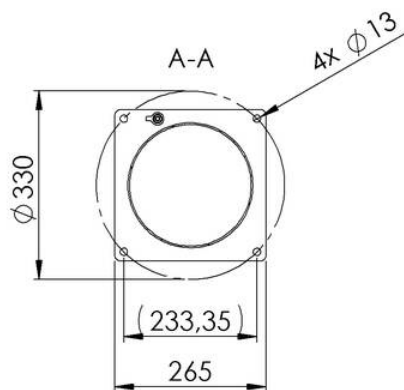
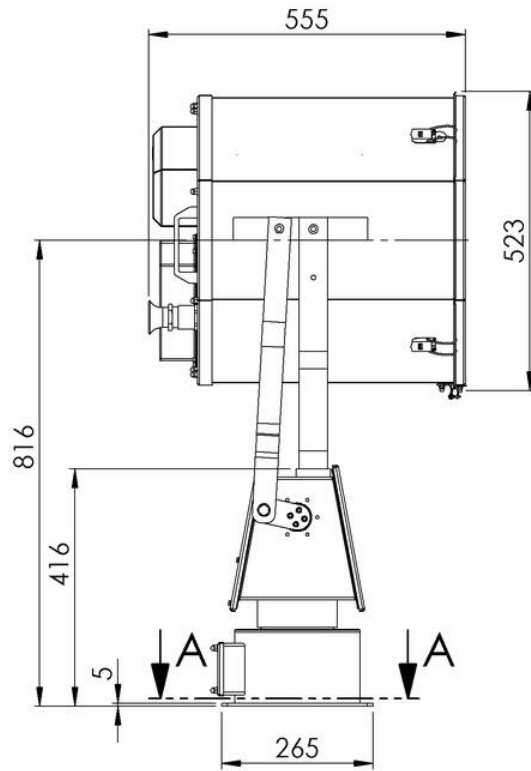
12.05.2026

Your Contact:

**WISKA India Pvt. Ltd.**

Mr. Omkar Ashar · Unit No.247/248,Raheja Tesla Industrial District II , Edison Bldg No.-1A,  
Plot No.GEN2/1/C/PART, TTC Industrial Area, MIDC, Juinagar, Navi Mumbai 400705, India

☎ +91-22-4967-1438 · ☎ +91-22-4967-1439 · o.ashar@wiska.in · www.wiska.in

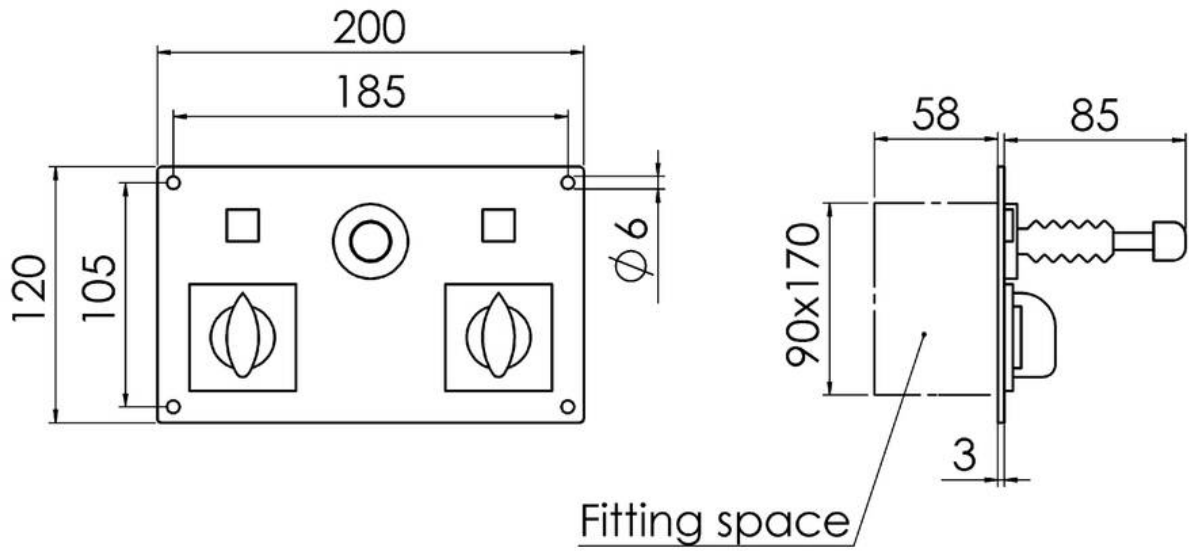


Your Contact:

**WISKA India Pvt. Ltd.**

Mr. Omkar Ashar · Unit No.247/248,Raheja Tesla Industrial District II , Edison Bldg No.-1A,  
Plot No.GEN2/1/C/PART, TTC Industrial Area, MIDC, Juinagar, Navi Mumbai 400705, India

☎ +91-22-4967-1438 · ☎ +91-22-4967-1439 · o.ashar@wiska.in · www.wiska.in



Your Contact:

**WISKA India Pvt. Ltd.**

Mr. Omkar Ashar · Unit No.247/248, Raheja Tesla Industrial District II , Edison Bldg No.-1A,  
Plot No.GEN2/1/C/PART, TTC Industrial Area, MIDC, Juinagar, Navi Mumbai 400705, India

☎ +91-22-4967-1438 · ☎ +91-22-4967-1439 · o.ashar@wiska.in · www.wiska.in