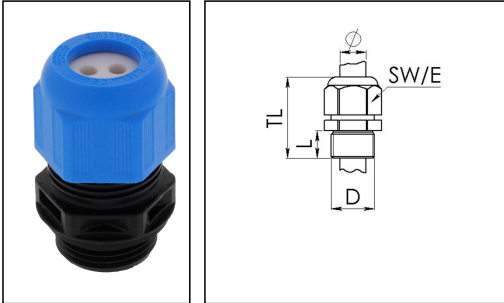


## ESKE/1-i 32 MFD 08/040

Ex Cable gland, plastic, RAL 9005/5012, M32, with mounted MFD



Products may differ in size, colour and appearance to those shown. If you require further information or customisation, please contact us directly.



|                          |                                |
|--------------------------|--------------------------------|
| Material cable gland     | Polyamide                      |
| Material sealing gasket  | TPE, EPDM                      |
| Temp. range min          | -40 °C                         |
| Temp. range max          | 75 °C                          |
| Protection class         | IP66 / IP68 (5 bar 30 min)     |
| Type of protection       | Ex eb, Ex tb                   |
| Ex-Certificate           | ATEX, IECEx                    |
| Glow wire test           | 750 °C                         |
| Thread type              | M                              |
| Ø Connection thread D    | 32                             |
| Lead                     | 1,5                            |
| Length screw-in thread L | 12 mm                          |
| Ø cable diameter min     | 3,6 mm                         |
| Ø cable diameter max     | 4 mm                           |
| Number of cable entries  | 8                              |
| Key width SW             | 36 mm                          |
| Collar diameter (E)      | 40 mm                          |
| Total length TL          | 42 mm - 51 mm                  |
| Install. torques fitting | 4,5 N m                        |
| Install. torques cap nut | 3 N m                          |
| Equipment                | Incl. connection thread gasket |
| Product Color            | RAL 5012 / RAL 9005            |
| Order no. RAL 9005       | 10110269                       |
| Type                     | ESKE/1-i 32 MFD 08/040         |
| Packing unit             | 25                             |

Your Contact:

WISKA India Pvt. Ltd.

Mr. Omkar Ashar · Unit No.247/248, Raheja Tesla Industrial District II , Edison Bldg No.-1A,  
Plot No.GEN2/1/C/PART, TTC Industrial Area, MIDC, Juinagar, Navi Mumbai 400705, India

☎ +91-22-4967-1438 · ☎ +91-22-4967-1439 · o.ashar@wiska.in · www.wiska.in

|                            |               |
|----------------------------|---------------|
| <b>EAN number</b>          | 4007686169850 |
| <b>Tariff number</b>       | 39269097      |
| <b>ETIM-Classification</b> | EC000441      |

12.05.2026

Your Contact:

**WISKA India Pvt. Ltd.**

Mr. Omkar Ashar · Unit No.247/248,Raheja Tesla Industrial District II , Edison Bldg No.-1A,  
Plot No.GEN2/1/C/PART, TTC Industrial Area, MIDC, Juinagar, Navi Mumbai 400705, India

☎ +91-22-4967-1438 · ☎ +91-22-4967-1439 · o.ashar@wiska.in · www.wiska.in



Your Contact:

**WISKA India Pvt. Ltd.**

Mr. Omkar Ashar · Unit No.247/248,Raheja Tesla Industrial District II , Edison Bldg No.-1A,  
Plot No.GEN2/1/C/PART, TTC Industrial Area, MIDC, Juinagar, Navi Mumbai 400705, India

☎ +91-22-4967-1438 · ☎ +91-22-4967-1439 · o.ashar@wiska.in · www.wiska.in