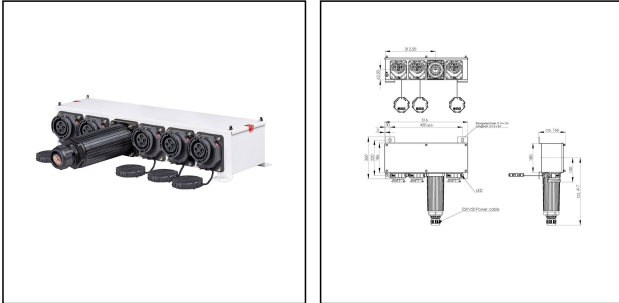


VARITAIN® Advance/03/03/M50/25kA/LED/TW

Reefer container socket 32A 25kA 440V 3h 3-gang, stainless steel, RAL 9016



Products may differ in size, colour and appearance to those shown. If you require further information or customisation, please contact us directly.



| | |
|--------------------------------|---|
| WISKA-Order no. | 10110290 |
| Type | VARITAIN® Advance/03/03/M50/25kA/LED/TW |
| Material | Stainless steel 1.4301 (V2A) |
| Material protective cap | Polyamide |
| Socket insert | 3 - poles + PE |
| Clock face position | 3h |
| Number of sockets | 3 |
| Breaking capacity | 25 kA |
| Voltage max. (V) | 440 V |
| Type of Voltage | AC |
| Current | 32 A |
| Protection class | IP66 / IP67 |
| Operational areas | Outdoor |
| Temp. range min | -25 °C |
| Temp. range max | 45 °C |
| Type of cable gland | M 50 x 1,5 |
| Mounting | Surface mounting, Wall |
| Colour | RAL 9016 |
| Approval | DNV-GL |
| Variations | on request |
| Tariff number | 85366990 |

Spare parts

Your Contact:

WISKA India Pvt. Ltd.

Mr. Omkar Ashar · Unit No.247/248,Raheja Tesla Industrial District II , Edison Bldg No.-1A,
Plot No.GEN2/1/C/PART, TTC Industrial Area, MIDC, Juinagar, Navi Mumbai 400705, India

☎ +91-22-4967-1438 · ☎ +91-22-4967-1439 · o.ashar@wiska.in · www.wiska.in

| | |
|-------------------------------------|----------|
| SP-CAP NUTS M6 | 22000402 |
| SP-BC/FS-CEE/BELT/32A | 22000403 |
| SP-VARI-PI/SM/LED/25kA/NUTS | 22000427 |
| SP-VENTPLUG 12 | 22000430 |
| SP-LID GASKET | 22000431 |
| SP-VARI-PI/LED/25kA/BC/NUTS | 22000606 |
| SP-VARI/TB 35mm² | 22000615 |
| SP-VARI-PI/LED CIRCUIT BOARD | 22000908 |

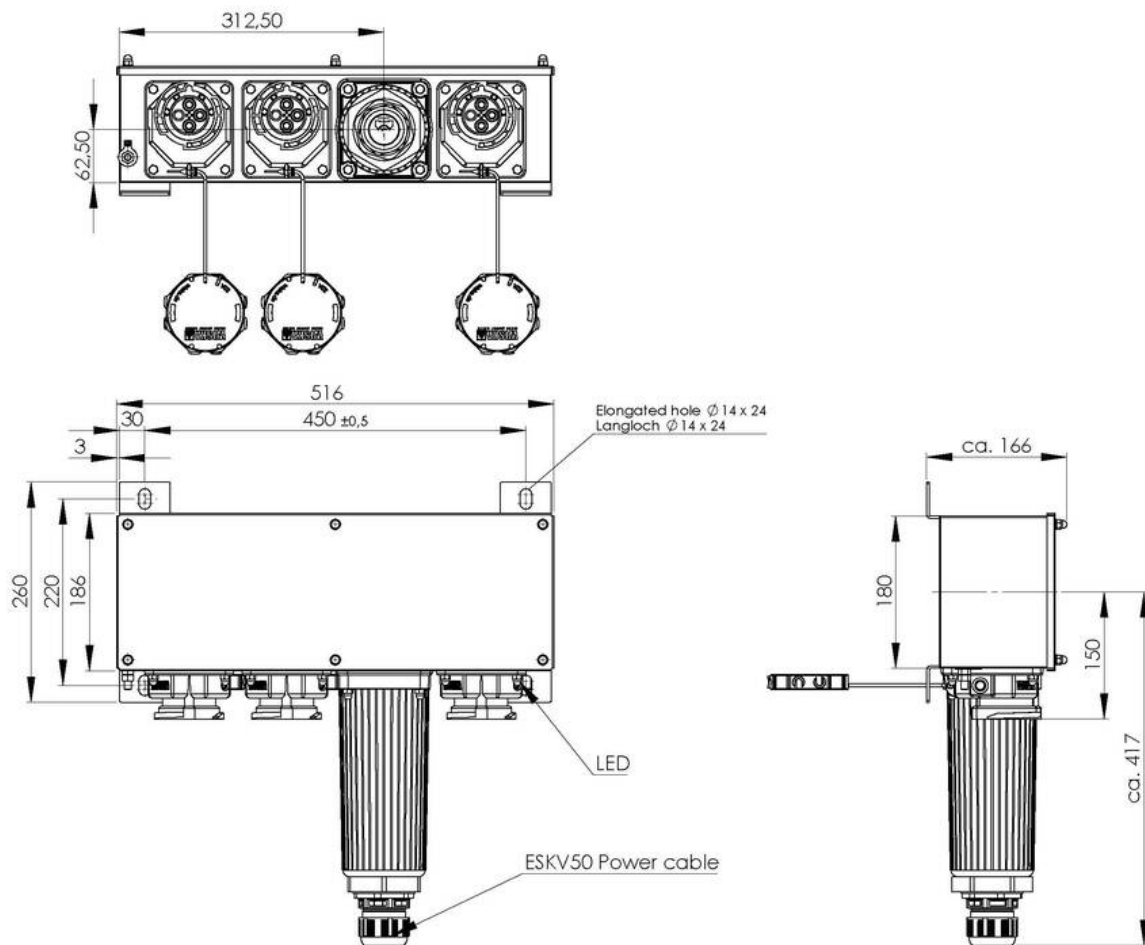
22.05.2026

Your Contact:

WISKA India Pvt. Ltd.

Mr. Omkar Ashar · Unit No.247/248,Raheja Tesla Industrial District II , Edison Bldg No.-1A,
Plot No.GEN2/1/C/PART, TTC Industrial Area, MIDC, Juinagar, Navi Mumbai 400705, India

☎ +91-22-4967-1438 · ☎ +91-22-4967-1439 · o.ashar@wiska.in · www.wiska.in



Your Contact:

WISKA India Pvt. Ltd.

Mr. Omkar Ashar · Unit No.247/248, Raheja Tesla Industrial District II , Edison Bldg No.-1A,
Plot No.GEN2/1/C/PART, TTC Industrial Area, MIDC, Juinagar, Navi Mumbai 400705, India

☎ +91-22-4967-1438 · ☎ +91-22-4967-1439 · o.ashar@wiska.in · www.wiska.in