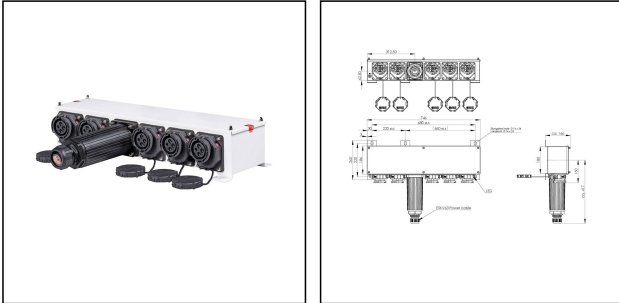


VARITAIN® Advance/05/03/M50/25kA/LED/TW

Reefer container socket 32A 25kA 440V 3h 5-gang, stainless steel, RAL 9016



Products may differ in size, colour and appearance to those shown. If you require further information or customisation, please contact us directly.



WISKA-Order no.	10110292
Type	VARITAIN® Advance/05/03/M50/25kA/LED/TW
Material	Stainless steel 1.4301 (V2A)
Material protective cap	Polyamide
Socket insert	3 - poles + PE
Clock face position	3h
Number of sockets	5
Breaking capacity	25 kA
Voltage max. (V)	440 V
Type of Voltage	AC
Current	32 A
Protection class	IP66 / IP67
Operational areas	Outdoor
Temp. range min	-25 °C
Temp. range max	45 °C
Type of cable gland	M 63 x 1,5
Mounting	Surface mounting, Wall
Colour	RAL 9016
Approval	DNV-GL
Variations	on request
Tariff number	85366990

Spare parts

Your Contact:

WISKA India Pvt. Ltd.

Mr. Omkar Ashar · Unit No.247/248,Raheja Tesla Industrial District II , Edison Bldg No.-1A,
Plot No.GEN2/1/C/PART, TTC Industrial Area, MIDC, Juinagar, Navi Mumbai 400705, India

☎ +91-22-4967-1438 · ☎ +91-22-4967-1439 · o.ashar@wiska.in · www.wiska.in

SP-CAP NUTS M6	22000402
SP-BC/FS-CEE/BELT/32A	22000403
SP-VARI-PI/SM/LED/25kA/NUTS	22000427
SP-VENTPLUG 12	22000430
SP-LID GASKET	22000431
SP-VARI-PI/LED/25kA/BC/NUTS	22000606
SP-VARI-PI/LED CIRCUIT BOARD	22000908

22.05.2026

Your Contact:

WISKA India Pvt. Ltd.

Mr. Omkar Ashar · Unit No.247/248,Raheja Tesla Industrial District II , Edison Bldg No.-1A,
Plot No.GEN2/1/C/PART, TTC Industrial Area, MIDC, Juinagar, Navi Mumbai 400705, India

☎ +91-22-4967-1438 · ☎ +91-22-4967-1439 · o.ashar@wiska.in · www.wiska.in

