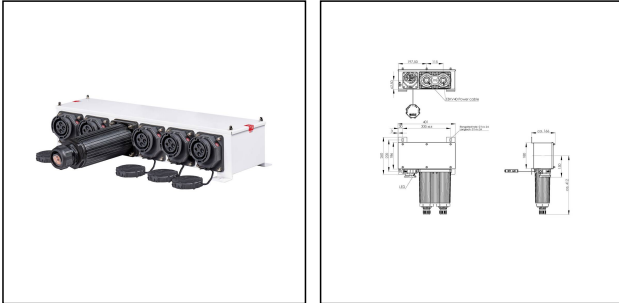


## VARITAIN® Advance/01/23/M40/25kA/LED/TW

Reefer container socket 32A 25kA 440V 3h 1-gang, stainless steel, RAL 9016



Products may differ in size, colour and appearance to those shown. If you require further information or customisation, please contact us directly.



<b>WISKA-Order no.</b>	10110298
<b>Type</b>	VARITAIN® Advance/01/23/M40/25kA/LED/TW
<b>Material</b>	Stainless steel 1.4301 (V2A)
<b>Material protective cap</b>	Polyamide
<b>Socket insert</b>	3 - poles + PE
<b>Clock face position</b>	3h
<b>Number of sockets</b>	1
<b>Breaking capacity</b>	25 kA
<b>Voltage max. (V)</b>	440 V
<b>Type of Voltage</b>	AC
<b>Current</b>	32 A
<b>Protection class</b>	IP66 / IP67
<b>Operational areas</b>	Outdoor
<b>Temp. range min</b>	-25 °C
<b>Temp. range max</b>	45 °C
<b>Type of cable gland</b>	M 40 x 1,5
<b>Mounting</b>	Surface mounting, Wall
<b>Colour</b>	RAL 9016
<b>Approval</b>	DNV-GL
<b>Equipment</b>	Through wiring
<b>Variations</b>	on request
<b>Tariff number</b>	85366990

Your Contact:

**WISKA India Pvt. Ltd.**

Mr. Omkar Ashar · Unit No.247/248,Raheja Tesla Industrial District II , Edison Bldg No.-1A,  
Plot No.GEN2/1/C/PART, TTC Industrial Area, MIDC, Juinagar, Navi Mumbai 400705, India

☎ +91-22-4967-1438 · ☎ +91-22-4967-1439 · o.ashar@wiska.in · www.wiska.in

## Spare parts

<b>SP-CAP NUTS M6</b>	22000402
<b>SP-BC/FS-CEE/BELT/32A</b>	22000403
<b>SP-VARI-PI/SM/LED/25kA/NUTS</b>	22000427
<b>SP-VENTPLUG 12</b>	22000430
<b>SP-LID GASKET</b>	22000431
<b>SP-VARI-PI/LED/25kA/BC/NUTS</b>	22000606
<b>SP-VARI/TB 35mm<sup>2</sup></b>	22000615
<b>SP-VARI-PI/LED CIRCUIT BOARD</b>	22000908

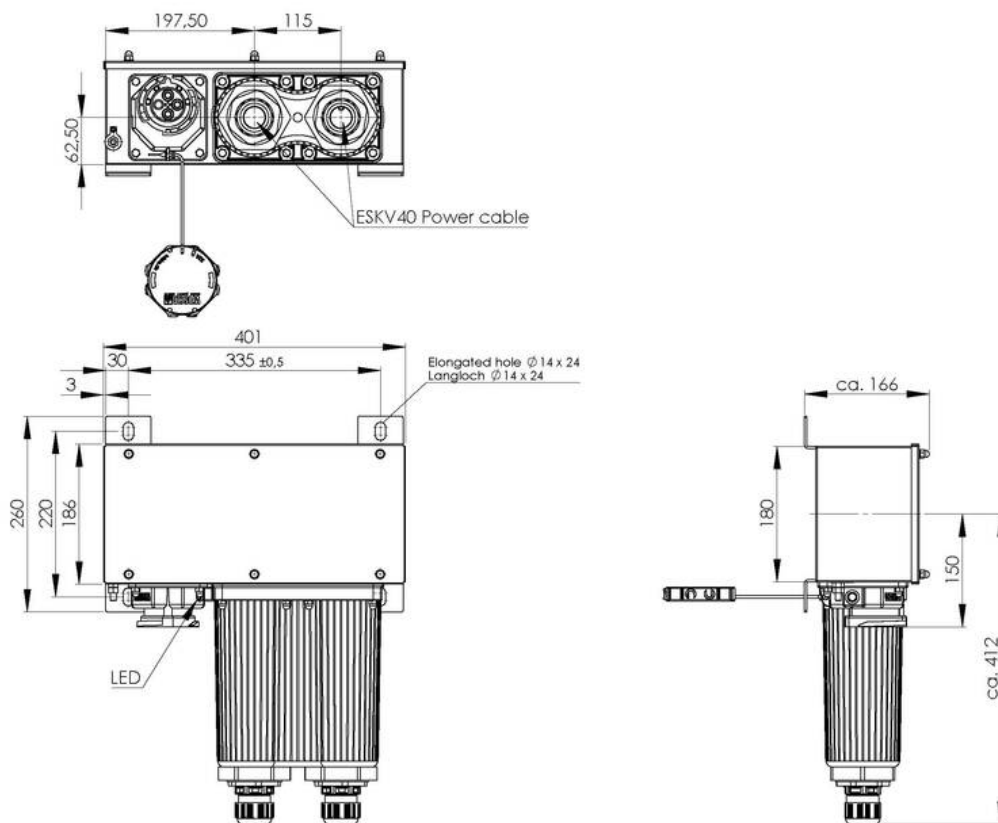
22.05.2026

Your Contact:

**WISKA India Pvt. Ltd.**

Mr. Omkar Ashar · Unit No.247/248,Raheja Tesla Industrial District II , Edison Bldg No.-1A,  
Plot No.GEN2/1/C/PART, TTC Industrial Area, MIDC, Juinagar, Navi Mumbai 400705, India

☎ +91-22-4967-1438 · ☎ +91-22-4967-1439 · o.ashar@wiska.in · www.wiska.in



Your Contact:

**WISKA India Pvt. Ltd.**

Mr. Omkar Ashar · Unit No.247/248,Raheja Tesla Industrial District II , Edison Bldg No.-1A,  
Plot No.GEN2/1/C/PART, TTC Industrial Area, MIDC, Juinagar, Navi Mumbai 400705, India

☎ +91-22-4967-1438 · ☎ +91-22-4967-1439 · o.ashar@wiska.in · www.wiska.in