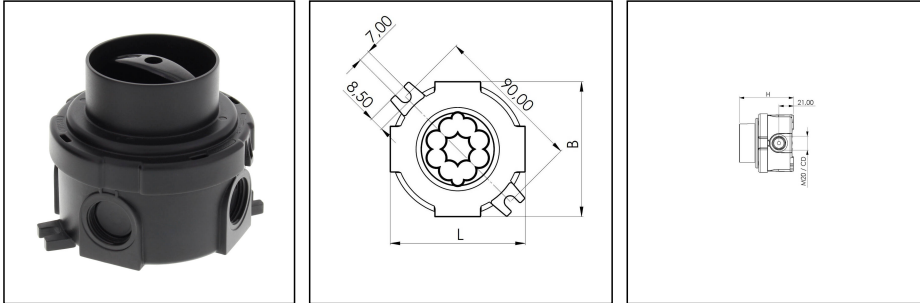


COMBI 304 SWITCH RS/6-1 BK

Rotary switch surface mounting, Change-over switch 1-pole plastic black, IP66/67



Products may differ in size, colour and appearance to those shown. If you require further information or customisation, please contact us directly.

WISKA-Order no.	10110649
Type	COMBI 304 SWITCH RS/6-1 BK
Voltage max. (V)	250 V
Current	16 A
Protection class	IP66 / IP67
Glow wire test	750 °C
Material	Polypropylene
Type of cable gland	M 20 x 1,5
Mounting	Surface mounting
Temp. range min	-30 °C
Temp. range max	55 °C
Type of switch	Change-over, 1-pole
Colour	Black
External dimensions LxWxH	Ø 87 x 78 mm
Variations	on request

Spare parts

SP-1843 Change-over switch 6/1, 1-pol.	22000356
---	----------

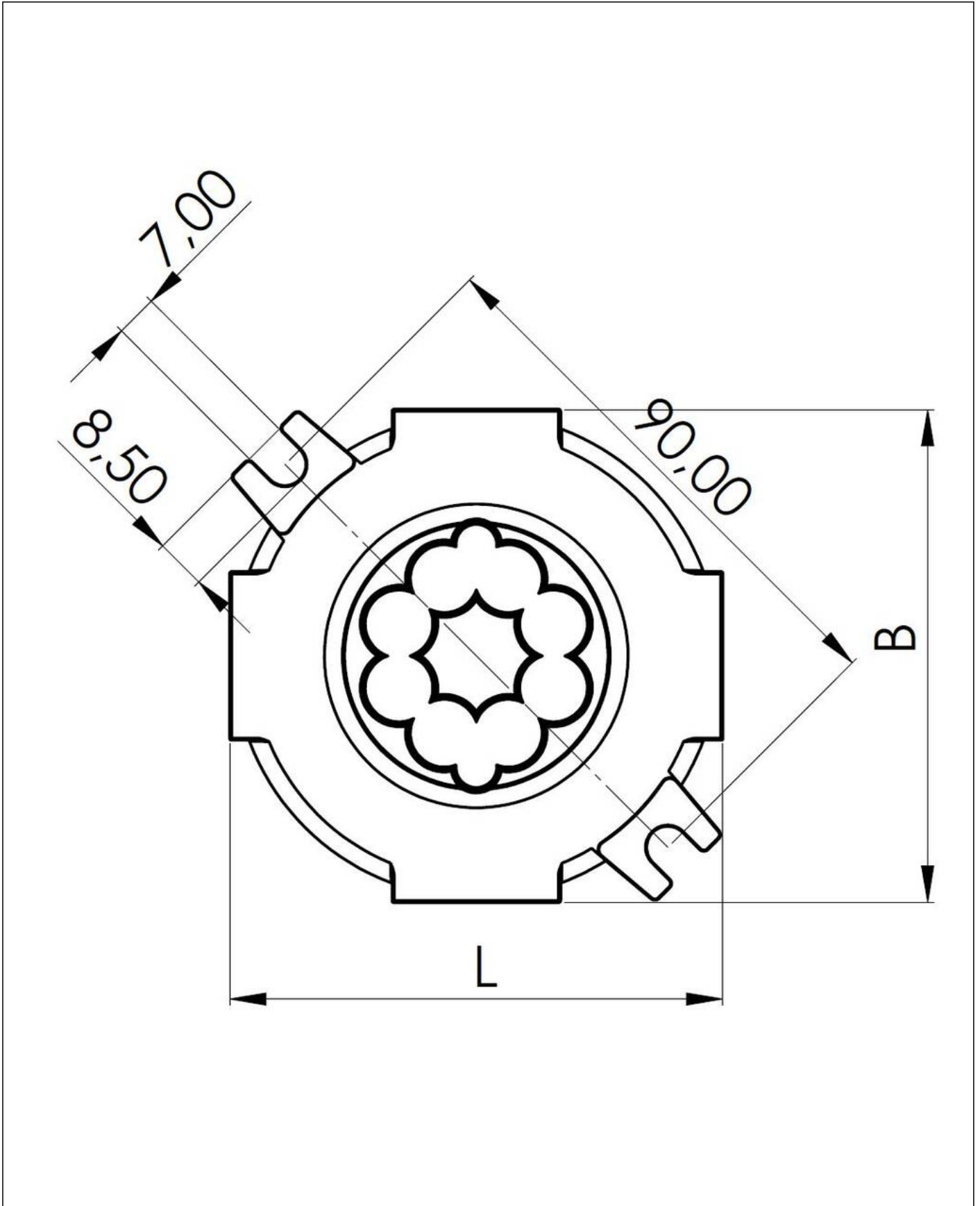
12.05.2026

Your Contact:

WISKA India Pvt. Ltd.

Mr. Omkar Ashar · Unit No.247/248,Raheja Tesla Industrial District II , Edison Bldg No.-1A,
Plot No.GEN2/1/C/PART, TTC Industrial Area, MIDC, Juinagar, Navi Mumbai 400705, India

☎ +91-22-4967-1438 · ☎ +91-22-4967-1439 · o.ashar@wiska.in · www.wiska.in

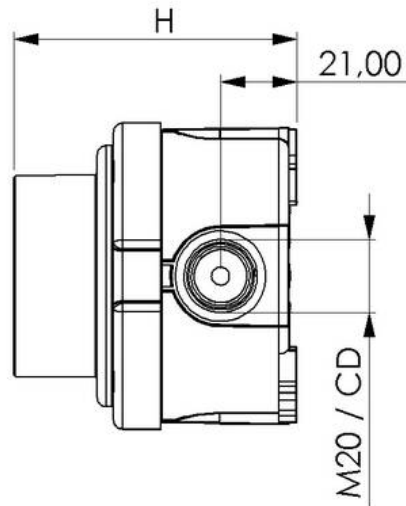


Your Contact:

WISKA India Pvt. Ltd.

Mr. Omkar Ashar · Unit No.247/248, Raheja Tesla Industrial District II , Edison Bldg No.-1A,
Plot No.GEN2/1/C/PART, TTC Industrial Area, MIDC, Juinagar, Navi Mumbai 400705, India

☎ +91-22-4967-1438 · ☎ +91-22-4967-1439 · o.ashar@wiska.in · www.wiska.in



Your Contact:

WISKA India Pvt. Ltd.

Mr. Omkar Ashar · Unit No.247/248,Raheja Tesla Industrial District II , Edison Bldg No.-1A,
Plot No.GEN2/1/C/PART, TTC Industrial Area, MIDC, Juinagar, Navi Mumbai 400705, India

☎ +91-22-4967-1438 · ☎ +91-22-4967-1439 · o.ashar@wiska.in · www.wiska.in