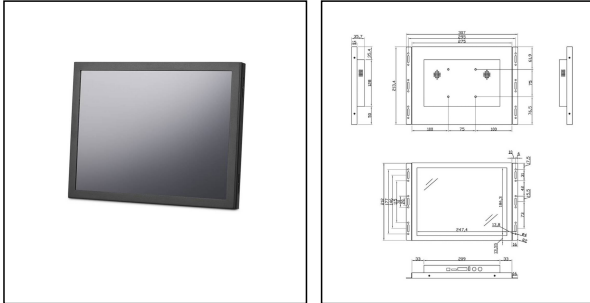


## TFT12/BE/VG3/Universal



Products may differ in size, colour and appearance to those shown. If you require further information or customisation, please contact us directly.

<b>Type</b>	TFT12/BE/VG3/Universal
<b>WISKA-Order no.</b>	10110653
<b>Protection class</b>	IP20
<b>Temp. range min</b>	-20 °C
<b>Temp. range max</b>	60 °C
<b>Humidity</b>	80 %
<b>Operational areas</b>	Indoor
<b>Mounting</b>	Recessed mounting, Desktop, Wall
<b>Colour</b>	Black
<b>Resolution</b>	1024x768
<b>TFT size</b>	12"
<b>Light intensity</b>	450 cd/m <sup>2</sup>
<b>Contrast Ratio</b>	500:1
<b>Aspect Ratio</b>	4:3
<b>CCTV add-on</b>	Dimming (1-100%) via RCU
<b>Port</b>	BNC, HDMI, VGA
<b>Type of Voltage</b>	AC
<b>Wattage</b>	15 W
<b>Weight</b>	1,35 kg
<b>Tariff number</b>	85285299

Remarks:

BEET 12.0" TFT flat screen 1024x768  
 30.7 cm diagonal, HDMI, VGA and  
 BNC interfaces, 4: 3, 230 VAC with  
 12V power supply,

Your Contact:

**WISKA India Pvt. Ltd.**

Mr. Omkar Ashar · Unit No.247/248,Raheja Tesla Industrial District II , Edison Bldg No.-1A,  
 Plot No.GEN2/1/C/PART, TTC Industrial Area, MIDC, Juinagar, Navi Mumbai 400705, India

☎ +91-22-4967-1438 · ☎ +91-22-4967-1439 · o.ashar@wiska.in · www.wiska.in

black, VESA75, incl. Wall bracket

Installation: installation, wall and table

275 x 213 x 36 mm (WxHxD)

**Recommended accessories**

RCU/BE/DMK7

10112717

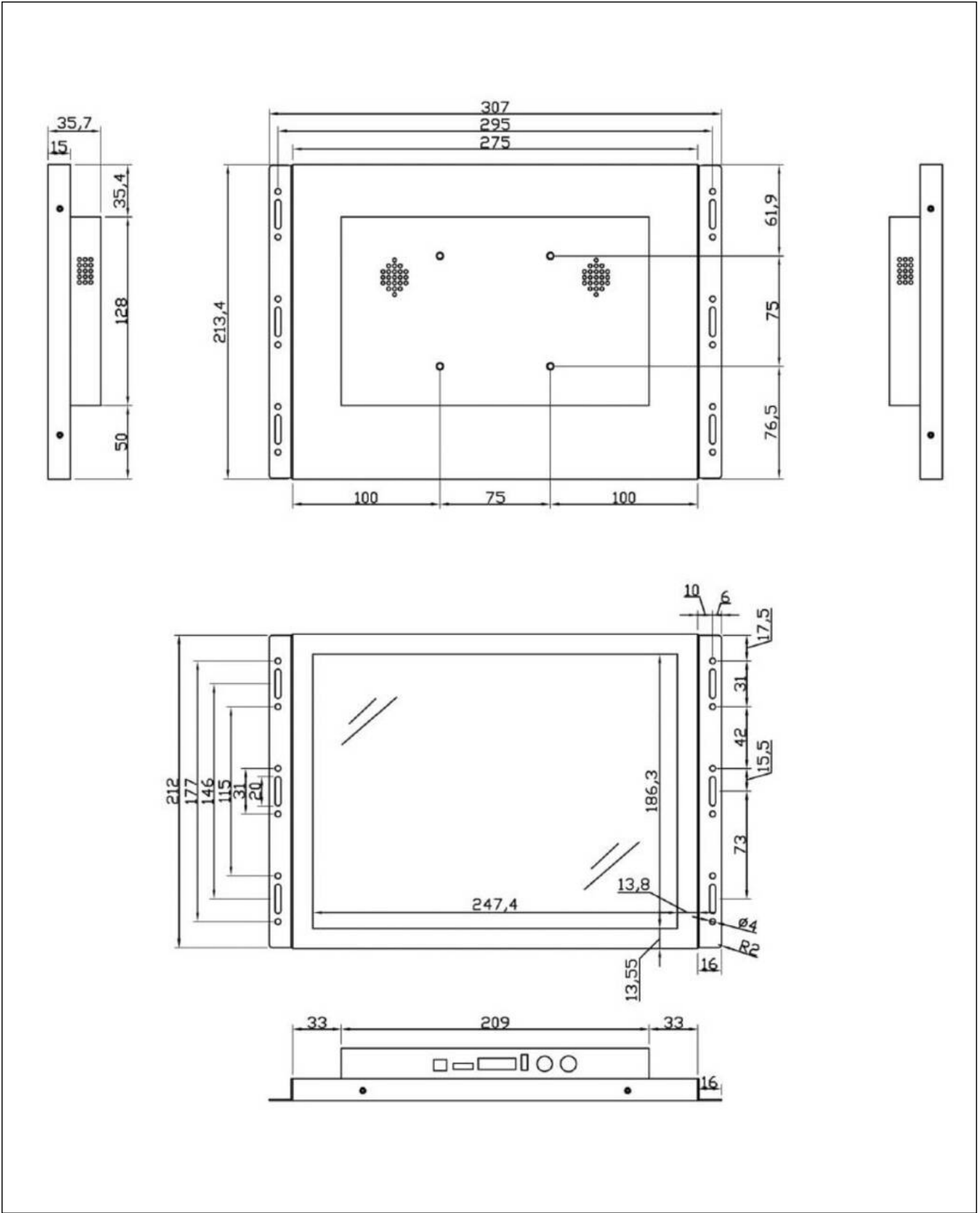
12.05.2026

Your Contact:

**WISKA India Pvt. Ltd.**

Mr. Omkar Ashar · Unit No.247/248,Raheja Tesla Industrial District II , Edison Bldg No.-1A,  
Plot No.GEN2/1/C/PART, TTC Industrial Area, MIDC, Juinagar, Navi Mumbai 400705, India

☎ +91-22-4967-1438 · ☎ +91-22-4967-1439 · o.ashar@wiska.in · www.wiska.in



Your Contact:

**WISKA India Pvt. Ltd.**

Mr. Omkar Ashar · Unit No.247/248, Raheja Tesla Industrial District II , Edison Bldg No.-1A,  
Plot No.GEN2/1/C/PART, TTC Industrial Area, MIDC, Juinagar, Navi Mumbai 400705, India

☎ +91-22-4967-1438 · ☎ +91-22-4967-1439 · o.ashar@wiska.in · www.wiska.in