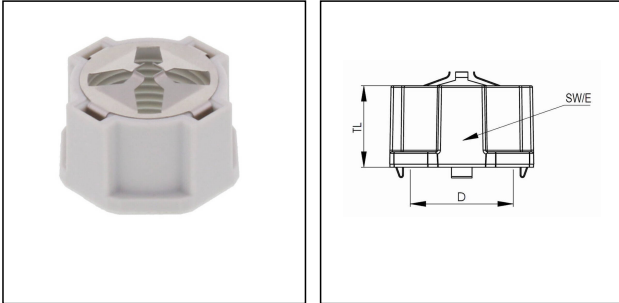


MagikNUT 25 LG

EMC Locknut, polyamide / stainless steel, RAL 7035, M25



Products may differ in size, colour and appearance to those shown. If you require further information or customisation, please contact us directly.



Material	Polyamide, Stainless steel
Temp. range min	-40 °C
Temp. range max	100 °C
Thread type	M
Ø Connection thread D	25
Lead	1,5
Total length TL	15,8 mm
Key width SW	33 mm
Collar diameter (E)	35 mm
Cable Ø shield external	7,5 mm - 15,5 mm
Product Color	RAL 7035
Order no. RAL 7035	10110662
Type	MagikNUT 25 LG
Packing unit	25
EAN number	4007686272369
Tariff number	39174000
ETIM-Classification	EC000940

Recommended accessories

ESKV-L 25 LG	10066393
ESKV 25 LG	10066413

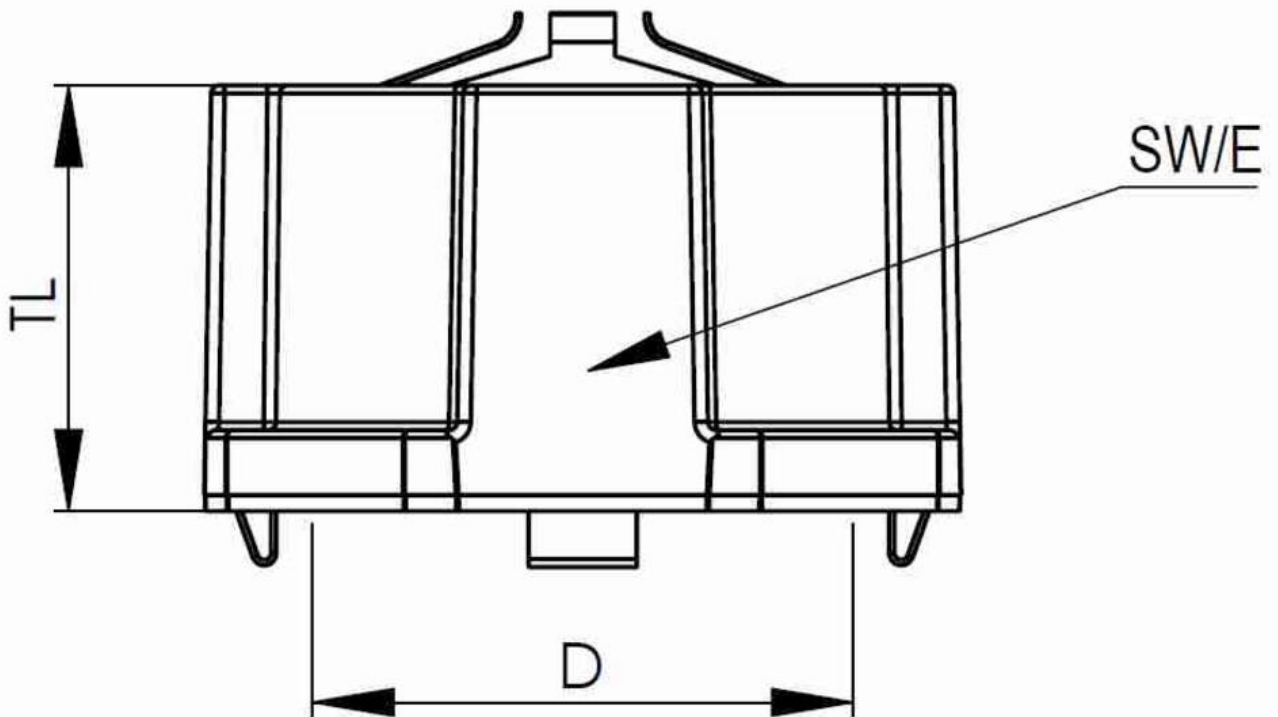
12.05.2026

Your Contact:

WISKA India Pvt. Ltd.

Mr. Omkar Ashar · Unit No.247/248,Raheja Tesla Industrial District II , Edison Bldg No.-1A,
Plot No.GEN2/1/C/PART, TTC Industrial Area, MIDC, Juinagar, Navi Mumbai 400705, India

☎ +91-22-4967-1438 · ☎ +91-22-4967-1439 · o.ashar@wiska.in · www.wiska.in



Your Contact:

WISKA India Pvt. Ltd.

Mr. Omkar Ashar · Unit No.247/248,Raheja Tesla Industrial District II , Edison Bldg No.-1A,
Plot No.GEN2/1/C/PART, TTC Industrial Area, MIDC, Juinagar, Navi Mumbai 400705, India

☎ +91-22-4967-1438 · ☎ +91-22-4967-1439 · o.ashar@wiska.in · www.wiska.in

Other technical data on request / subject to change without notice