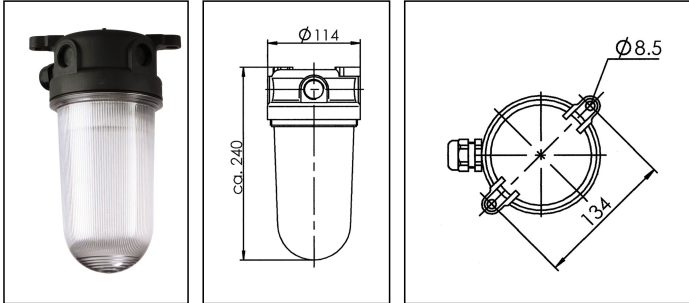



## 2000/LED-M/clear/5W/NPT3/4/EVPS12

LED multi-purpose luminare 2000 IP68, plastic, 5W, Cover clear



Products may differ in size, colour and appearance to those shown. If you require further information or customisation, please contact us directly.



<b>WISKA-Order no.</b>	10110717
<b>Type</b>	2000/LED-M/clear/5W/NPT3/4/EVPS12
<b>Material</b>	PBT
<b>Material globe/diffuser</b>	Polycarbonate
<b>Globe colour</b>	Clear
<b>Power<sup>^</sup></b>	1 x 5 W
<b>Wattage</b>	5 W
<b>Voltage</b>	230 V
<b>Voltage max. (V)</b>	230 V
<b>Protection class</b>	IP68 (0,2bar, 30min)
<b>Temp. range min</b>	-30 °C
<b>Temp. range max</b>	45 °C
<b>Lampholder</b>	LED-M
<b>Lightsource</b>	LED
<b>Lightsource incl.</b>	Yes
<b>Colour temperature</b>	4000 K
<b>Luminous flux</b>	869 lm
<b>Light colour</b>	840 (cool white)
<b>Average lamp durability</b>	55000 h
<b>Material cable gland</b>	Polyamide
<b>Type of cable gland</b>	NPT 3/4" / 9-17mm
<b>Using for cable gland</b>	
<b>Ø cable diameter min</b>	9 mm
<b>Ø cable diameter max</b>	17 mm
<b>External dimensions LxWxH</b>	240x134mm

Your Contact:

WISKA India Pvt. Ltd.

Mr. Omkar Ashar · Unit No.247/248,Raheja Tesla Industrial District II , Edison Bldg No.-1A,  
Plot No.GEN2/1/C/PART, TTC Industrial Area, MIDC, Juinagar, Navi Mumbai 400705, India

☎ +91-22-4967-1438 · ☎ +91-22-4967-1439 · o.ashar@wiska.in · www.wiska.in

<b>Weight</b>	0,66 kg
<b>Approval</b>	RMRS, DNV-GL
<b>Colour</b>	Black
<b>Mounting</b>	Upside, Upside down, Ceiling, Surface mounting
<b>Equipment</b>	4 threaded knockout entry M20
<b>Tariff number</b>	85318070

Remarks:

- LED multi-purpose luminaire made of impact and water resistant plastic
- protection class IP 68 (2 bar – 30 min)
- 1 cable gland NPT 3/4" (9 – 17mm) and 1 VentPLUG pressure compensation plug
- clear cover
- LED Light module 5W 230V 840 mounted

**Spare parts**

<b>SP-1131-2000 ST/LED 230Vac/840</b>	<b>22001154</b>
---------------------------------------	-----------------

17.06.2026

Your Contact:

**WISKA India Pvt. Ltd.**

Mr. Omkar Ashar · Unit No.247/248,Raheja Tesla Industrial District II , Edison Bldg No.-1A,  
Plot No.GEN2/1/C/PART, TTC Industrial Area, MIDC, Juinagar, Navi Mumbai 400705, India

☎ +91-22-4967-1438 · ☎ +91-22-4967-1439 · o.ashar@wiska.in · www.wiska.in

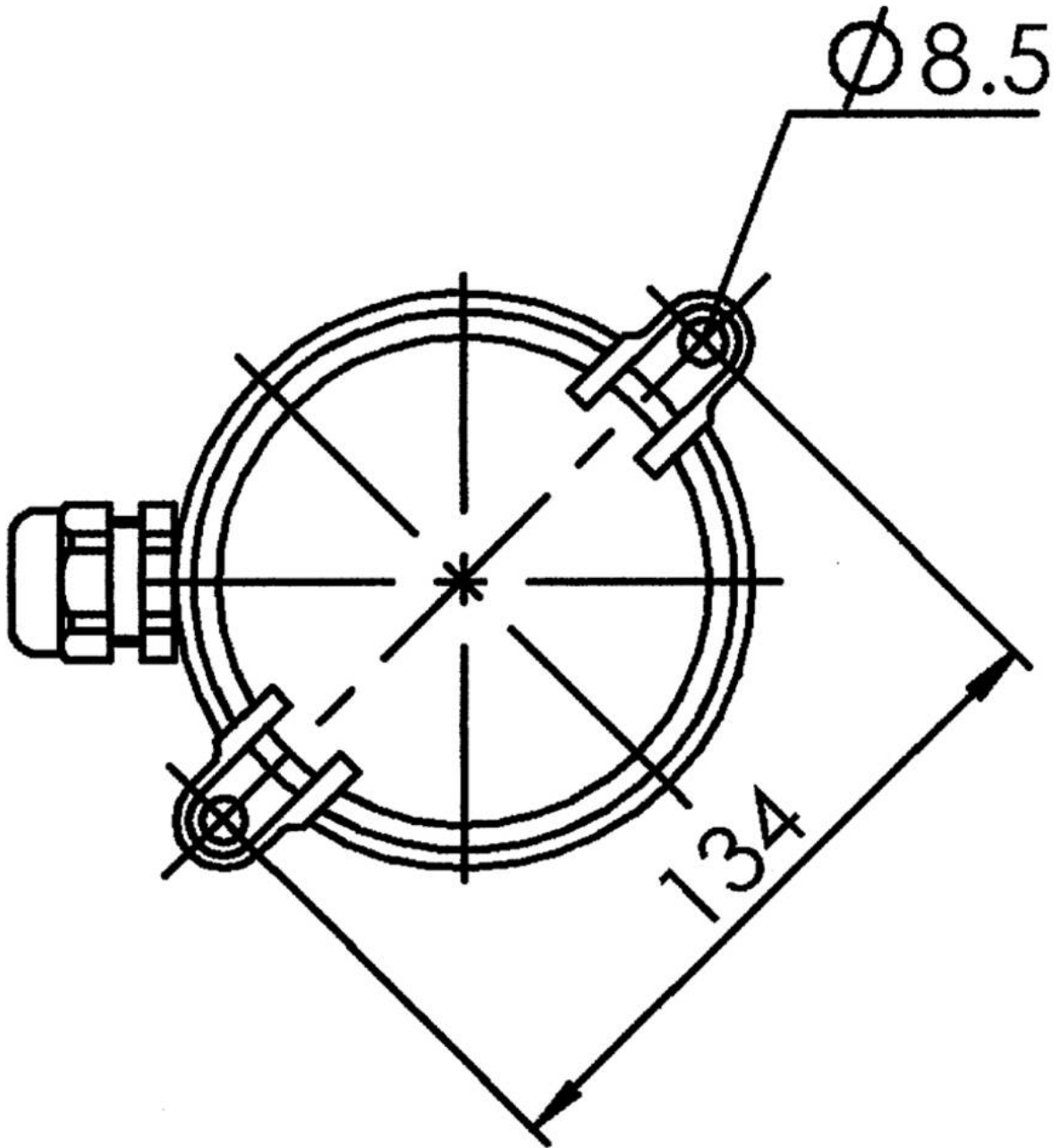


Your Contact:

WISKA India Pvt. Ltd.

Mr. Omkar Ashar · Unit No.247/248, Raheja Tesla Industrial District II , Edison Bldg No.-1A,  
Plot No.GEN2/1/C/PART, TTC Industrial Area, MIDC, Juinagar, Navi Mumbai 400705, India

☎ +91-22-4967-1438 · ☎ +91-22-4967-1439 · o.ashar@wiska.in · www.wiska.in



Your Contact:

**WISKA India Pvt. Ltd.**

Mr. Omkar Ashar · Unit No.247/248,Raheja Tesla Industrial District II , Edison Bldg No.-1A,  
Plot No.GEN2/1/C/PART, TTC Industrial Area, MIDC, Juinagar, Navi Mumbai 400705, India

☎ +91-22-4967-1438 · ☎ +91-22-4967-1439 · o.ashar@wiska.in · www.wiska.in

Other technical data on request / subject to change without notice