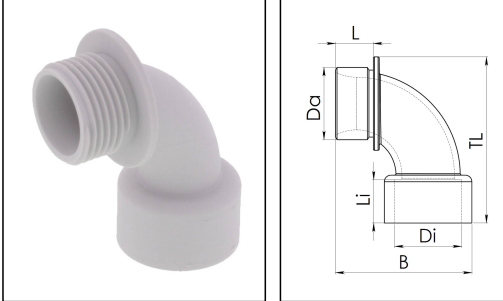


EWI90 20 LG

Elbow 90° polyamide, RAL 7035, M20



Products may differ in size, colour and appearance to those shown. If you require further information or customisation, please contact us directly.



Material	Polyamide UL94-V0
Temp. range min	-40 °C
Temp. range max	100 °C
Hazard level EN acc. 45545	R22=HL3 / R23=HL3 / R24=HL3
Thread type	M
Ø Connection thread D	20
Lead	1,5
Length screw-in thread L	12 mm
Total length TL	50 mm
Width B	41 mm
Length internal thread	13,2 mm
Type of conduit fitting	90° Angle
Product Color	RAL 7035
Order no. RAL 7035	10110776
Type	EWI90 20 LG
Packing unit	10
EAN number	4007686259261
Tariff number	39269097
ETIM-Classification	EC000441

Recommended accessories

EMUG 20 LG	10060772
EADR 20	10062803

Your Contact:

WISKA India Pvt. Ltd.

Mr. Omkar Ashar · Unit No.247/248,Raheja Tesla Industrial District II , Edison Bldg No.-1A,
Plot No.GEN2/1/C/PART, TTC Industrial Area, MIDC, Juinagar, Navi Mumbai 400705, India

+91-22-4967-1438 · +91-22-4967-1439 · o.ashar@wiska.in · www.wiska.in

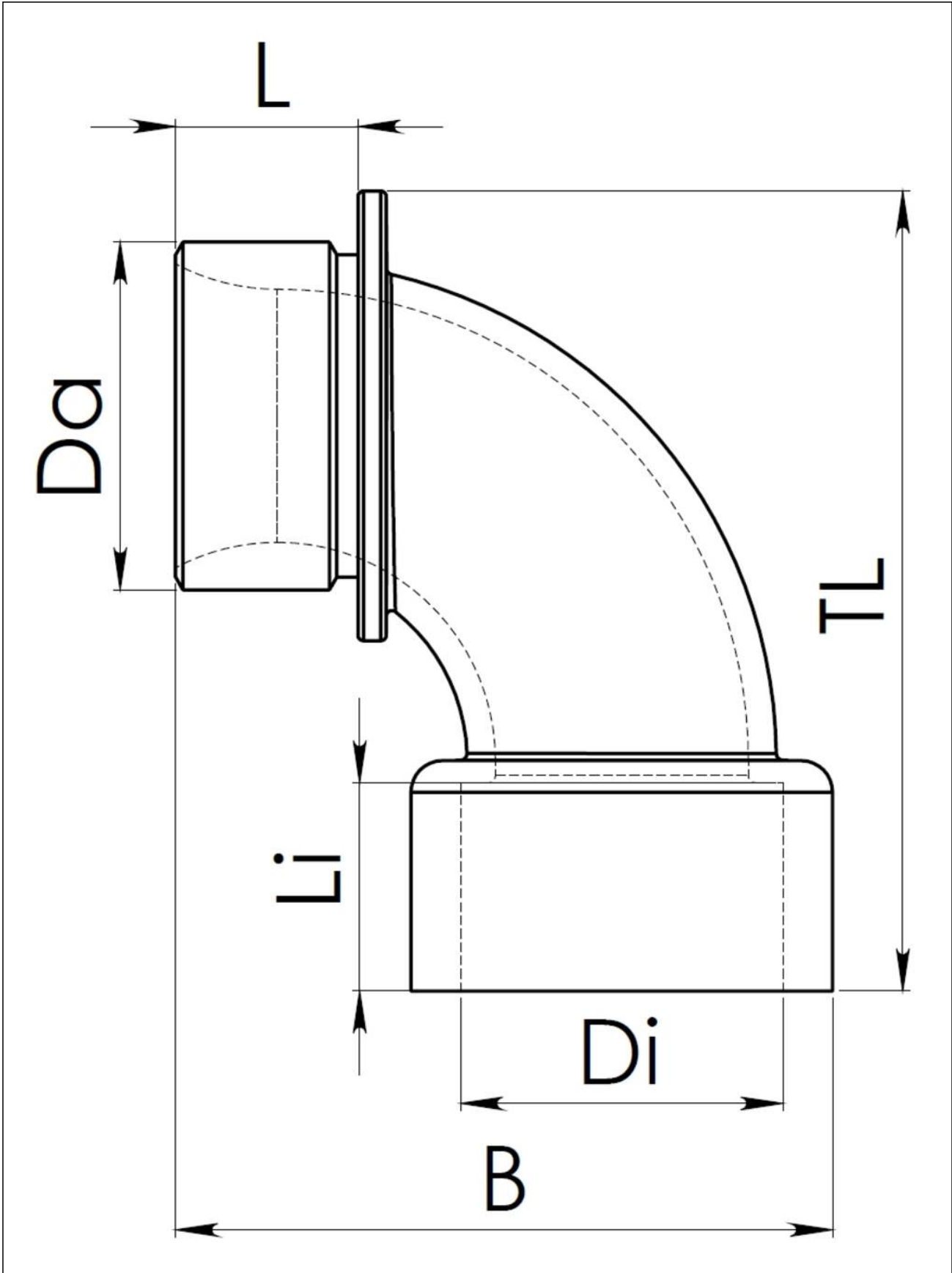
23.05.2026

Your Contact:

WISKA India Pvt. Ltd.

Mr. Omkar Ashar · Unit No.247/248,Raheja Tesla Industrial District II , Edison Bldg No.-1A,
Plot No.GEN2/1/C/PART, TTC Industrial Area, MIDC, Juinagar, Navi Mumbai 400705, India

☎ +91-22-4967-1438 · ☎ +91-22-4967-1439 · o.ashar@wiska.in · www.wiska.in



Your Contact:

WISKA India Pvt. Ltd.

Mr. Omkar Ashar · Unit No.247/248, Raheja Tesla Industrial District II , Edison Bldg No.-1A,
Plot No.GEN2/1/C/PART, TTC Industrial Area, MIDC, Juinagar, Navi Mumbai 400705, India

☎ +91-22-4967-1438 · ☎ +91-22-4967-1439 · o.ashar@wiska.in · www.wiska.in