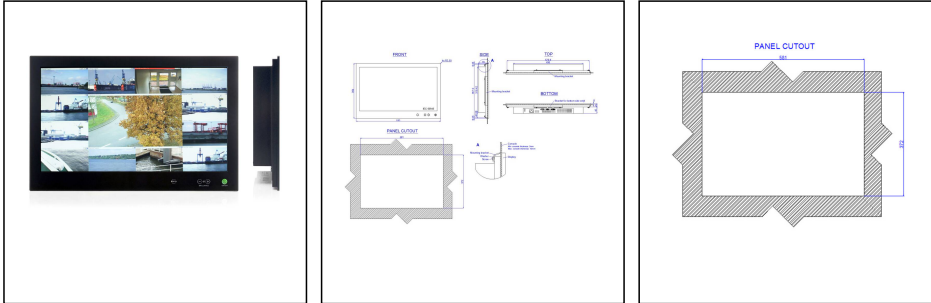


## TFT24/HD/CONS/IEC60945/MMD

TFT Monitor 24"



Products may differ in size, colour and appearance to those shown. If you require further information or customisation, please contact us directly.



<b>Type</b>	TFT24/HD/CONS/IEC60945/MMD
<b>WISKA-Order no.</b>	10110965
<b>Protection class</b>	IP66
<b>Temp. range min</b>	-15 °C
<b>Temp. range max</b>	55 °C
<b>Humidity</b>	95 %
<b>Operational areas</b>	ECR/CCR/Wheelhouse, Indoor
<b>Range of use</b>	IEC 60945
<b>Mounting</b>	Recessed mounting
<b>Colour</b>	Black
<b>Resolution</b>	1280x1024
<b>TFT size</b>	24"
<b>Light intensity</b>	300 cd/m <sup>2</sup>
<b>Contrast Ratio</b>	3000:1
<b>Aspect Ratio</b>	16:9
<b>CCTV add-on</b>	Dimming (100%), Option: Desk bracket, Option: Wall bracket
<b>Port</b>	HDMI, Display Port
<b>Type of Voltage</b>	AC
<b>Frequence</b>	50/60 Hz
<b>Wattage</b>	125 W
<b>Weight</b>	10,1 kg
<b>Tariff number</b>	85285291

Remarks:

TFT Monitor 24", MMD, console mount,

Your Contact:

**WISKA India Pvt. Ltd.**

Mr. Omkar Ashar · Unit No.247/248,Raheja Tesla Industrial District II , Edison Bldg No.-1A,  
Plot No.GEN2/1/C/PART, TTC Industrial Area, MIDC, Juinagar, Navi Mumbai 400705, India

☎ +91-22-4967-1438 · ☎ +91-22-4967-1439 · o.ashar@wiska.in · www.wiska.in

**WISKA HD Serie,LED Backlight**

1920x1080//25ms//3000:1/300cd/m<sup>2</sup>

115/230VAC//50/60Hz//24VDC

IP66 (front)

IEC60945 approved, VGA/DVI

**Recommended accessories**

RCU/HD/REM/SX1-A1

10111171

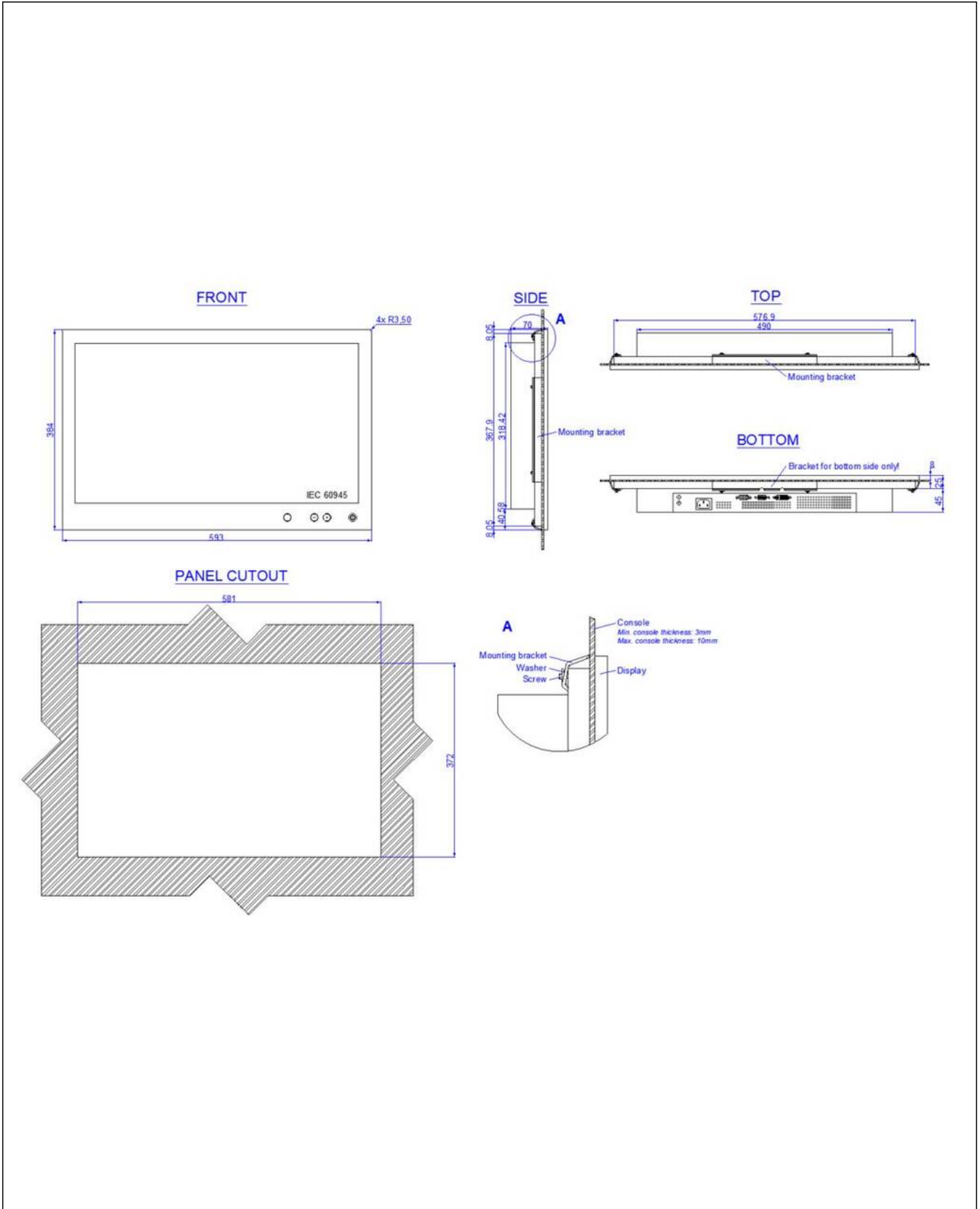
12.05.2026

Your Contact:

**WISKA India Pvt. Ltd.**

Mr. Omkar Ashar · Unit No.247/248,Raheja Tesla Industrial District II , Edison Bldg No.-1A,  
Plot No.GEN2/1/C/PART, TTC Industrial Area, MIDC, Juinagar, Navi Mumbai 400705, India

☎ +91-22-4967-1438 · ☎ +91-22-4967-1439 · o.ashar@wiska.in · www.wiska.in

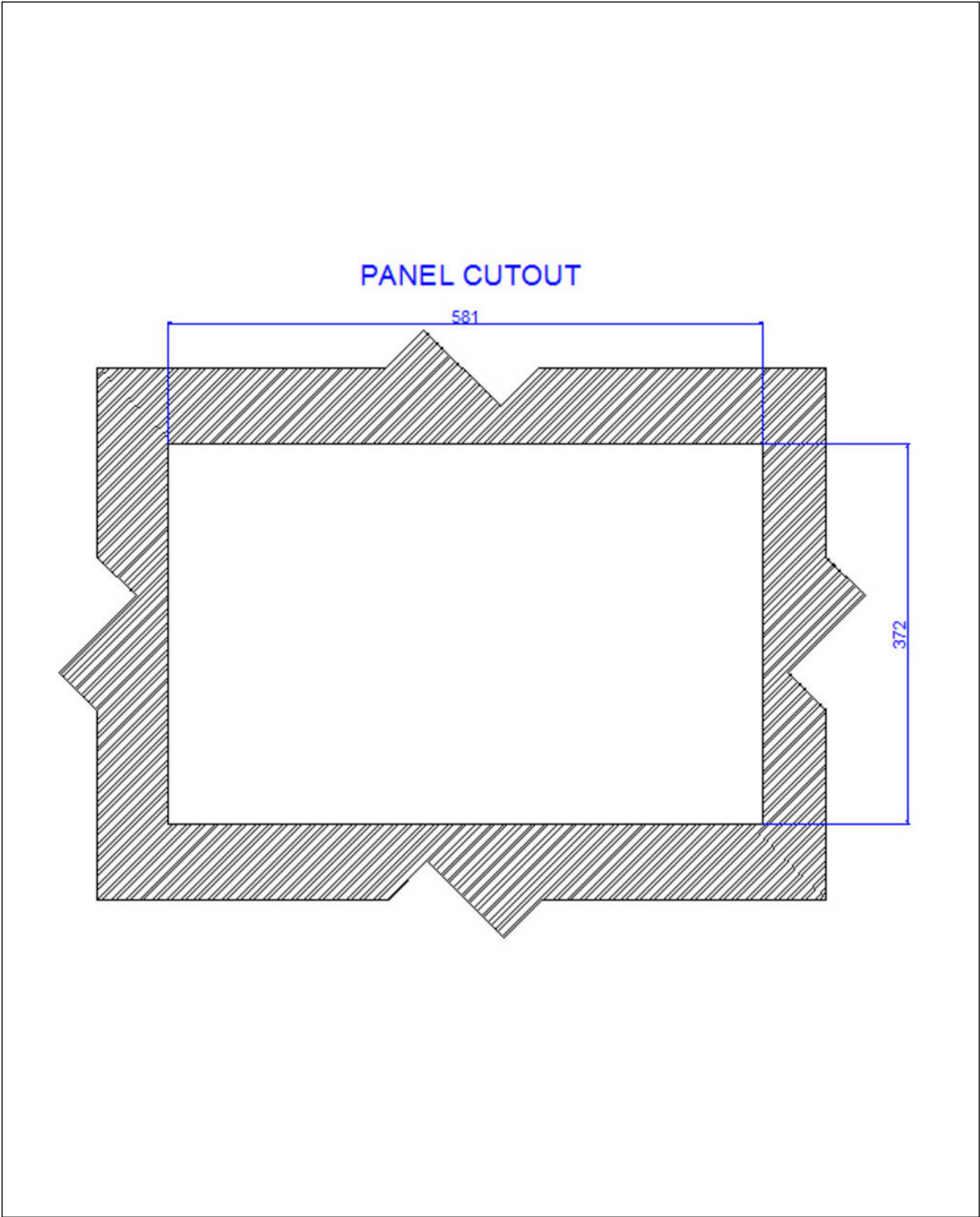


Your Contact:

**WISKA India Pvt. Ltd.**

Mr. Omkar Ashar · Unit No.247/248,Raheja Tesla Industrial District II , Edison Bldg No.-1A,  
Plot No.GEN2/1/C/PART, TTC Industrial Area, MIDC, Juinagar, Navi Mumbai 400705, India

☎ +91-22-4967-1438 · ☎ +91-22-4967-1439 · o.ashar@wiska.in · www.wiska.in



Your Contact:

**WISKA India Pvt. Ltd.**

Mr. Omkar Ashar · Unit No.247/248,Raheja Tesla Industrial District II , Edison Bldg No.-1A,  
Plot No.GEN2/1/C/PART, TTC Industrial Area, MIDC, Juinagar, Navi Mumbai 400705, India

☎ +91-22-4967-1438 · ☎ +91-22-4967-1439 · o.ashar@wiska.in · www.wiska.in