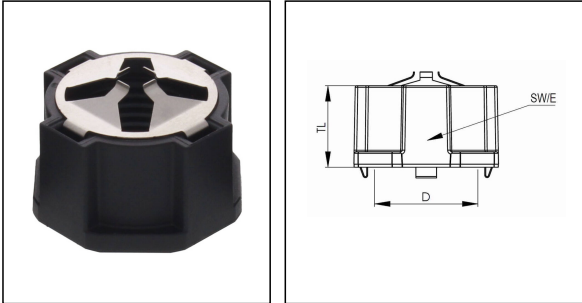


MagikNUT 16 BK

EMC Locknut, polyamide / stainless steel, RAL 9005, M16



Products may differ in size, colour and appearance to those shown. If you require further information or customisation, please contact us directly.



Material	Polyamide, Stainless steel
Temp. range min	-40 °C
Temp. range max	100 °C
Thread type	M
Ø Connection thread D	16
Lead	1,5
Total length TL	15,8 mm
Key width SW	24 mm
Collar diameter (E)	25 mm
Cable Ø shield external	3,5 mm - 9 mm
Product Color	RAL 9005
Order no. RAL 9005	10111060
Type	MagikNUT 16 BK
Packing unit	25
EAN number	4007686270860
Tariff number	39174000
ETIM-Classification	EC000940

Recommended accessories

ESKV 16 BK	10066121
ESKV-L 16 BK	10066501

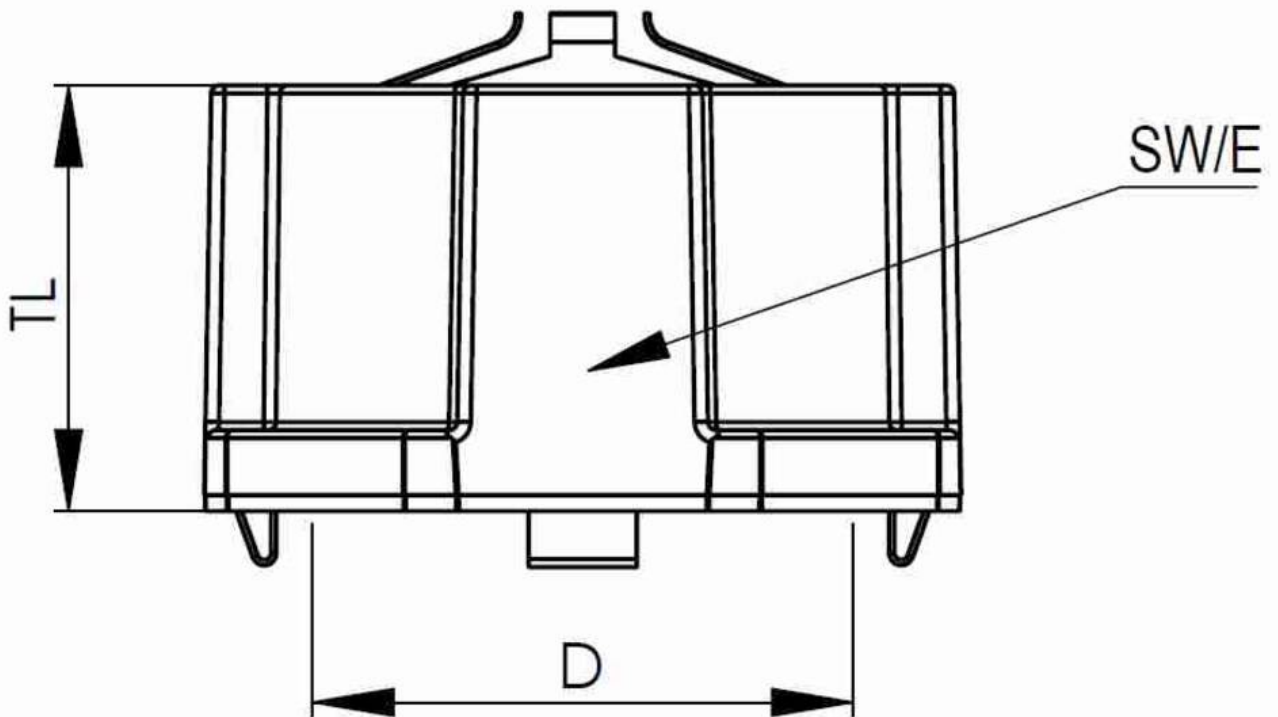
12.05.2026

Your Contact:

WISKA India Pvt. Ltd.

Mr. Omkar Ashar · Unit No.247/248,Raheja Tesla Industrial District II , Edison Bldg No.-1A,
Plot No.GEN2/1/C/PART, TTC Industrial Area, MIDC, Juinagar, Navi Mumbai 400705, India

☎ +91-22-4967-1438 · ☎ +91-22-4967-1439 · o.ashar@wiska.in · www.wiska.in



Your Contact:

WISKA India Pvt. Ltd.

Mr. Omkar Ashar · Unit No.247/248,Raheja Tesla Industrial District II , Edison Bldg No.-1A,
Plot No.GEN2/1/C/PART, TTC Industrial Area, MIDC, Juinagar, Navi Mumbai 400705, India

☎ +91-22-4967-1438 · ☎ +91-22-4967-1439 · o.ashar@wiska.in · www.wiska.in

Other technical data on request / subject to change without notice