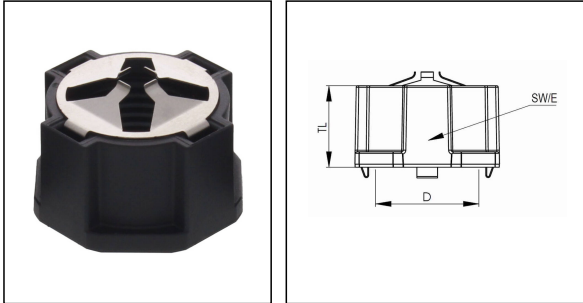


## MagikNUT 20 BK

EMC Locknut, polyamide / stainless steel, RAL 9005, M20



Products may differ in size, colour and appearance to those shown. If you require further information or customisation, please contact us directly.



<b>Material</b>	Polyamide, Stainless steel
<b>Temp. range min</b>	-40 °C
<b>Temp. range max</b>	100 °C
<b>Thread type</b>	M
<b>Ø Connection thread D</b>	20
<b>Lead</b>	1,5
<b>Total length TL</b>	15,8 mm
<b>Key width SW</b>	28 mm
<b>Collar diameter (E)</b>	30 mm
<b>Cable Ø shield external</b>	5 mm - 12 mm
<b>Product Color</b>	RAL 9005
<b>Order no. RAL 9005</b>	10111061
<b>Type</b>	MagikNUT 20 BK
<b>Packing unit</b>	25
<b>EAN number</b>	4007686272345
<b>Tariff number</b>	39174000
<b>ETIM-Classification</b>	EC000940

### Recommended accessories

<b>ESKV 20 BK</b>	10066122
<b>ESKV-L 20 BK</b>	10066502

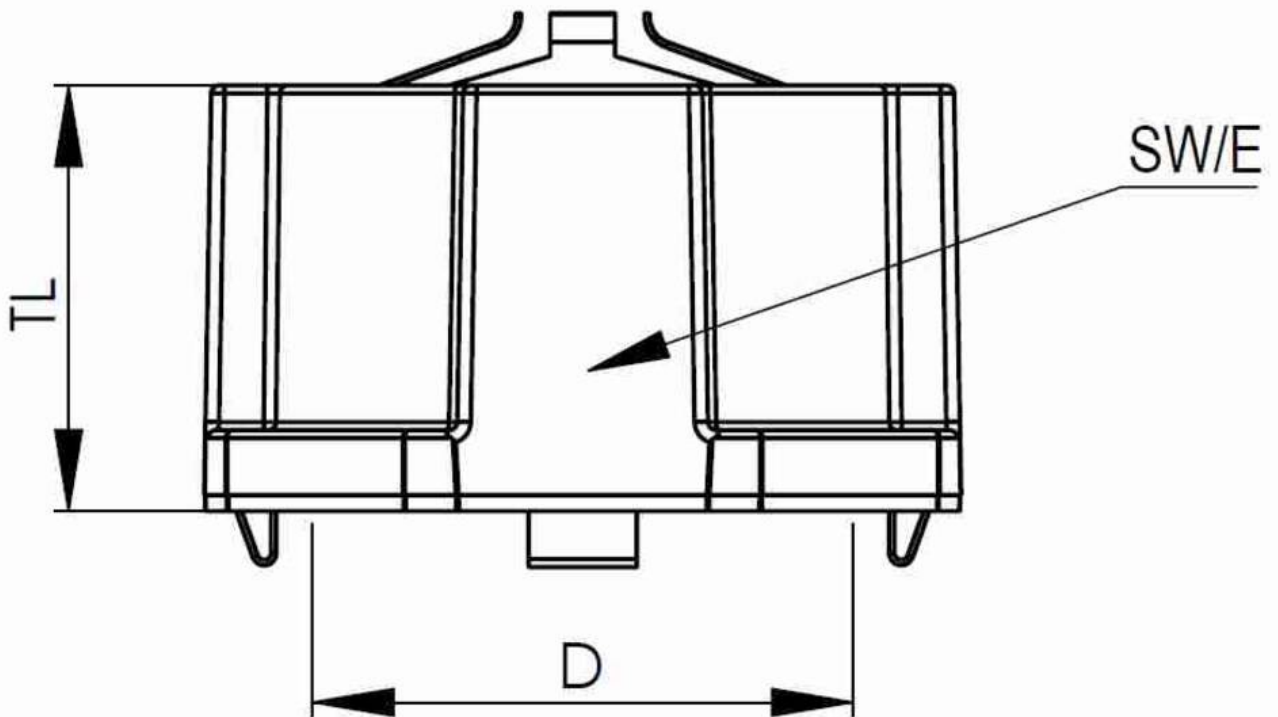
12.05.2026

Your Contact:

WISKA India Pvt. Ltd.

Mr. Omkar Ashar · Unit No.247/248,Raheja Tesla Industrial District II , Edison Bldg No.-1A,  
Plot No.GEN2/1/C/PART, TTC Industrial Area, MIDC, Juinagar, Navi Mumbai 400705, India

☎ +91-22-4967-1438 · ☎ +91-22-4967-1439 · o.ashar@wiska.in · www.wiska.in



Your Contact:

**WISKA India Pvt. Ltd.**

Mr. Omkar Ashar · Unit No.247/248,Raheja Tesla Industrial District II , Edison Bldg No.-1A,  
Plot No.GEN2/1/C/PART, TTC Industrial Area, MIDC, Juinagar, Navi Mumbai 400705, India

☎ +91-22-4967-1438 · ☎ +91-22-4967-1439 · o.ashar@wiska.in · www.wiska.in

Other technical data on request / subject to change without notice