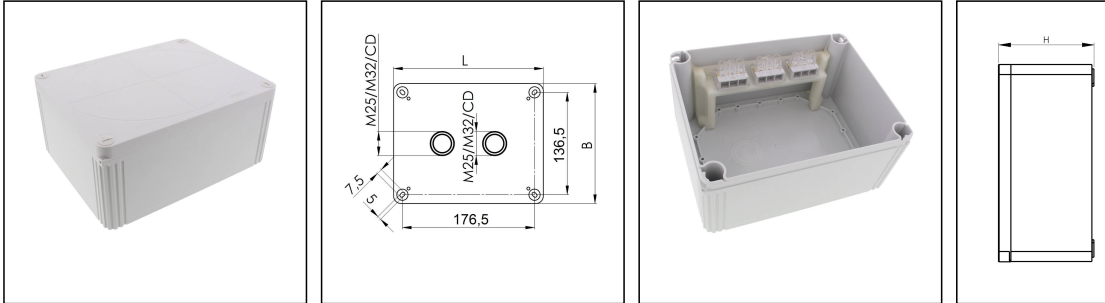


COMBI 1610/3 PL LG

Junction box 200x160x94mm, polycarbonate, RAL 7035, with terminal block



Products may differ in size, colour and appearance to those shown. If you require further information or customisation, please contact us directly.



| | |
|-------------------------------------|------------------------------|
| Material | Polycarbonate |
| Material sealing gasket | PU |
| Temp. range min | -30 °C |
| Temp. range max | 100 °C |
| Temperatures during install. | -5 °C - 60 °C |
| Protection class | IP66 / IP67 |
| Glow wire test | 960 °C |
| Voltage | 690 V |
| Rated cross section | 16 mm ² |
| Terminals/poles | 3-pole, 16,0 mm ² |
| External dimensions LxWxH | 200 x 160 x 94 mm |
| Product Color | RAL 7035 |
| Order no. RAL 7035 | 10111114 |
| Type | COMBI 1610/3 PL LG |
| Packing unit | 1 |
| ETIM-Classification | EC002600 |
| EAN number | 4007686272062 |
| Tariff number | 85369010 |

Remarks:

Equipment:

- 2 knockouts in the bottom 2x M25/M32
- 4 captive cover screws
- inclusive terminal block 3-poles, 16mm²

Mounting:

Your Contact:

WISKA India Pvt. Ltd.

Mr. Omkar Ashar · Unit No.247/248,Raheja Tesla Industrial District II , Edison Bldg No.-1A,
Plot No.GEN2/1/C/PART, TTC Industrial Area, MIDC, Juinagar, Navi Mumbai 400705, India

☎ +91-22-4967-1438 · ☎ +91-22-4967-1439 · o.ashar@wiska.in · www.wiska.in

4 internal openings outside of the sealing area

Recommended accessories

| | |
|-------------------------------------|----------|
| External mounting - COMBI LG | 10108836 |
|-------------------------------------|----------|

Spare parts

| | |
|-----------------------------------|----------|
| SP-HKT 1610 Terminal block | 22001224 |
|-----------------------------------|----------|

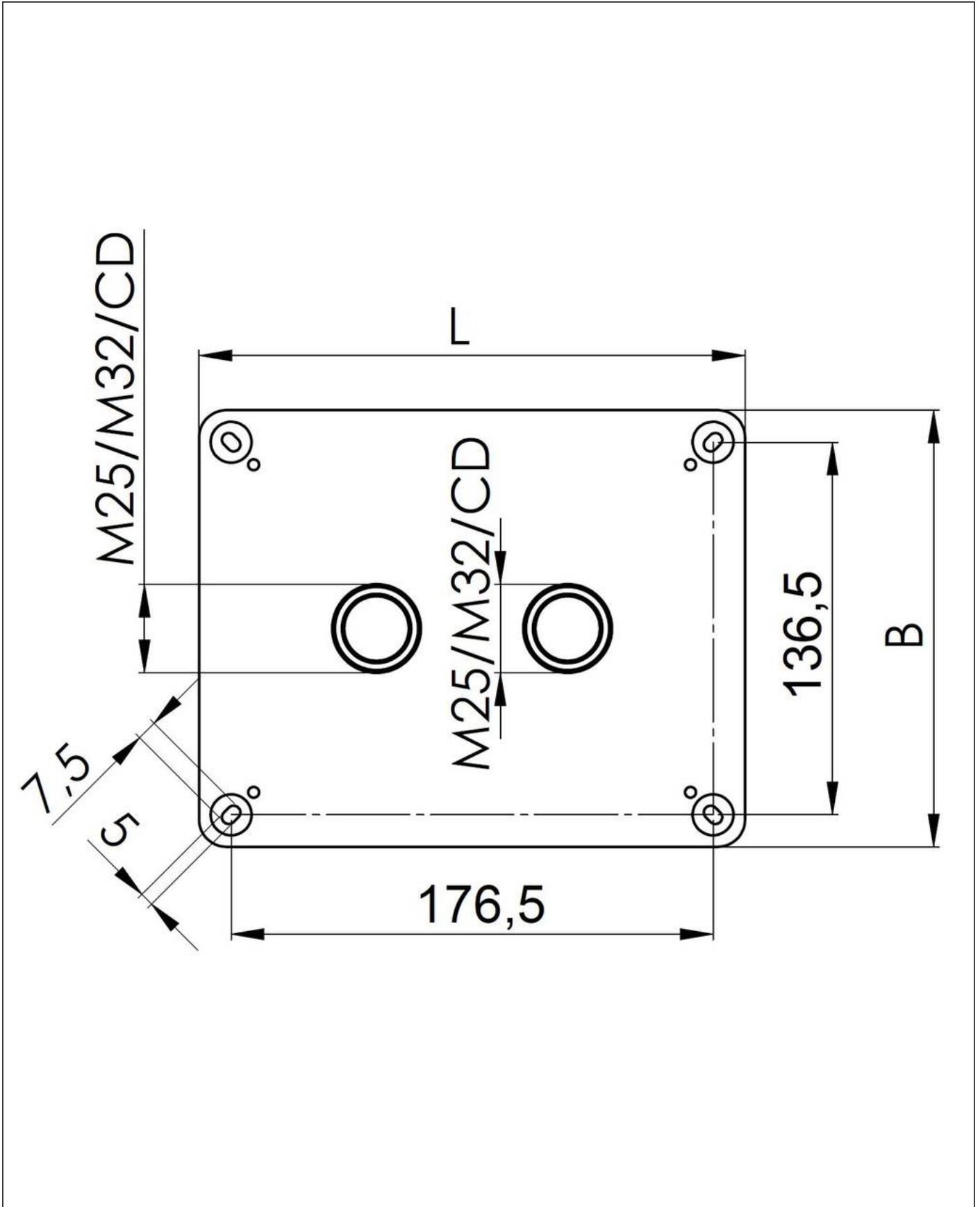
23.05.2026

Your Contact:

WISKA India Pvt. Ltd.

Mr. Omkar Ashar · Unit No.247/248,Raheja Tesla Industrial District II , Edison Bldg No.-1A,
Plot No.GEN2/1/C/PART, TTC Industrial Area, MIDC, Juinagar, Navi Mumbai 400705, India

☎ +91-22-4967-1438 · ☎ +91-22-4967-1439 · o.ashar@wiska.in · www.wiska.in

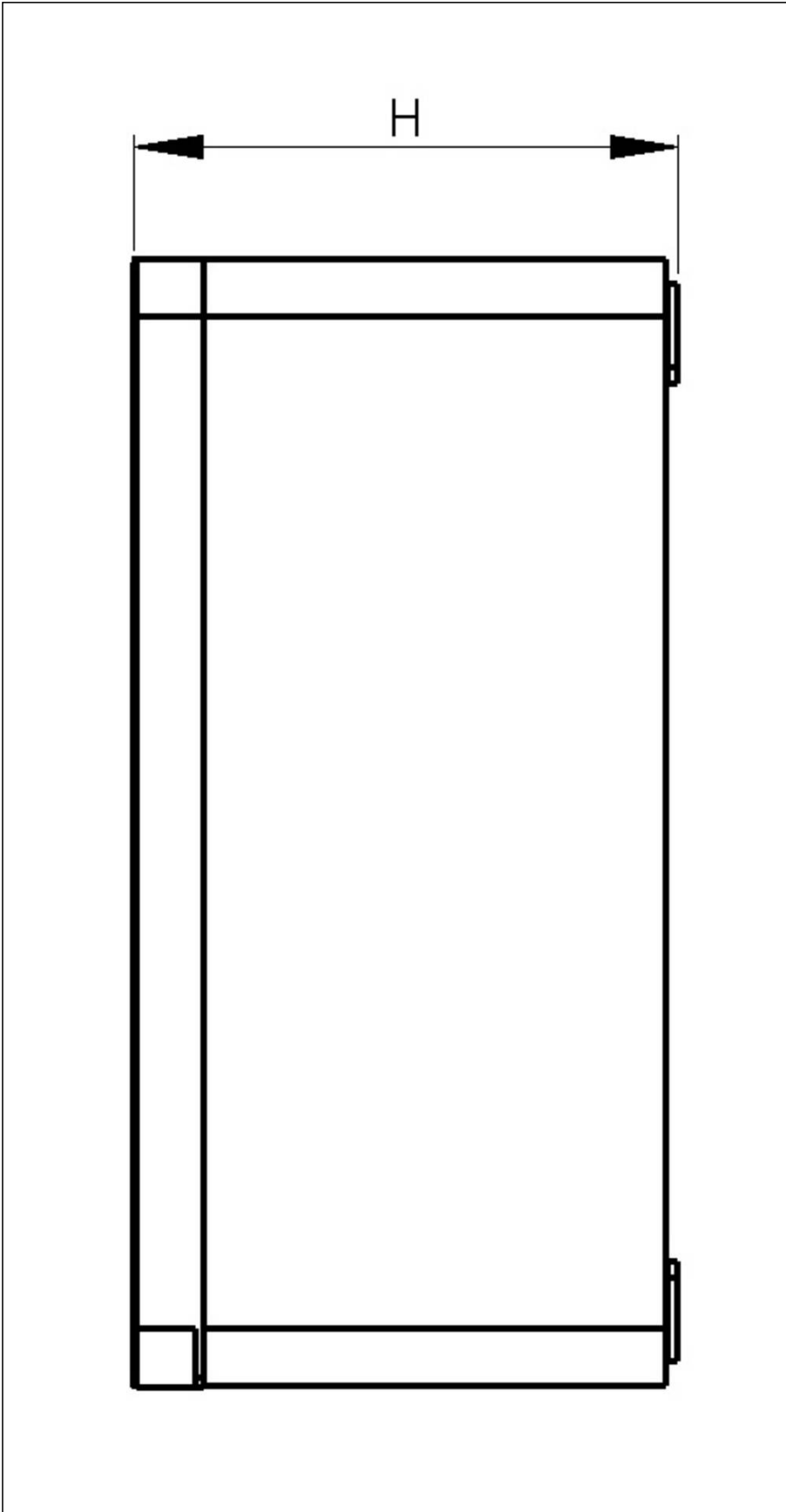


Your Contact:

WISKA India Pvt. Ltd.

Mr. Omkar Ashar · Unit No.247/248,Raheja Tesla Industrial District II , Edison Bldg No.-1A,
Plot No.GEN2/1/C/PART, TTC Industrial Area, MIDC, Juinagar, Navi Mumbai 400705, India

+91-22-4967-1438 · +91-22-4967-1439 · o.ashar@wiska.in · www.wiska.in



Your Contact:

WISKA India Pvt. Ltd.

Mr. Omkar Ashar · Unit No.247/248,Raheja Tesla Industrial District II , Edison Bldg No.-1A,
Plot No.GEN2/1/C/PART, TTC Industrial Area, MIDC, Juinagar, Navi Mumbai 400705, India

☎ +91-22-4967-1438 · ☎ +91-22-4967-1439 · o.ashar@wiska.in · www.wiska.in