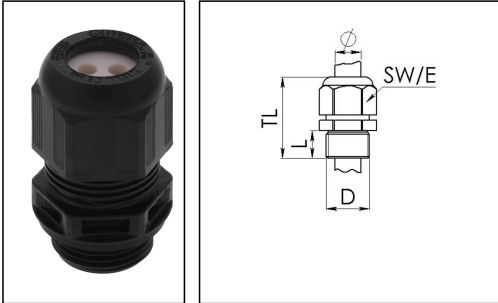


ESKE/1-e 25 MFD 03/060

Ex- Cable gland, plastic, RAL 9005, M25, with mounted MFD



Products may differ in size, colour and appearance to those shown. If you require further information or customisation, please contact us directly.



| | |
|--------------------------|--------------------------------|
| Material cable gland | Polyamide |
| Material sealing gasket | TPE, EPDM |
| Temp. range min | -40 °C |
| Temp. range max | 75 °C |
| Protection class | IP66 / IP68 (5 bar 30 min) |
| Type of protection | Ex tb, Ex eb |
| Ex-Certificate | IECEX, ATEX |
| Glow wire test | 750 °C |
| Thread type | M |
| Ø Connection thread D | 25 |
| Lead | 1,5 |
| Length screw-in thread L | 10 mm |
| Ø cable diameter min | 5,4 mm |
| Ø cable diameter max | 6 mm |
| Number of cable entries | 3 |
| Key width SW | 29 mm |
| Collar diameter (E) | 32 mm |
| Total length TL | 38 mm - 47 mm |
| Install. torques fitting | 3 N m |
| Install. torques cap nut | 2 N m |
| Equipment | Incl. connection thread gasket |
| Product Color | RAL 9005 |
| Order no. RAL 9005 | 10111125 |
| Type | ESKE/1-e 25 MFD 03/060 |
| Packing unit | 50 |

Your Contact:

WISKA India Pvt. Ltd.

Mr. Omkar Ashar · Unit No.247/248,Raheja Tesla Industrial District II , Edison Bldg No.-1A,
Plot No.GEN2/1/C/PART, TTC Industrial Area, MIDC, Juinagar, Navi Mumbai 400705, India

☎ +91-22-4967-1438 · ☎ +91-22-4967-1439 · o.ashar@wiska.in · www.wiska.in

| | |
|----------------------------|---------------|
| EAN number | 4007686272390 |
| Tariff number | 39269097 |
| ETIM-Classification | EC000441 |

Recommended accessories



| | |
|-------------------|----------|
| EMUG 25 BK | 10061783 |
|-------------------|----------|

12.05.2026

Your Contact:

WISKA India Pvt. Ltd.

Mr. Omkar Ashar · Unit No.247/248,Raheja Tesla Industrial District II , Edison Bldg No.-1A,
Plot No.GEN2/1/C/PART, TTC Industrial Area, MIDC, Juinagar, Navi Mumbai 400705, India

 +91-22-4967-1438 ·  +91-22-4967-1439 · o.ashar@wiska.in · www.wiska.in



Your Contact:

WISKA India Pvt. Ltd.

Mr. Omkar Ashar · Unit No.247/248,Raheja Tesla Industrial District II , Edison Bldg No.-1A,
Plot No.GEN2/1/C/PART, TTC Industrial Area, MIDC, Juinagar, Navi Mumbai 400705, India

☎ +91-22-4967-1438 · ☎ +91-22-4967-1439 · o.ashar@wiska.in · www.wiska.in

Other technical data on request / subject to change without notice