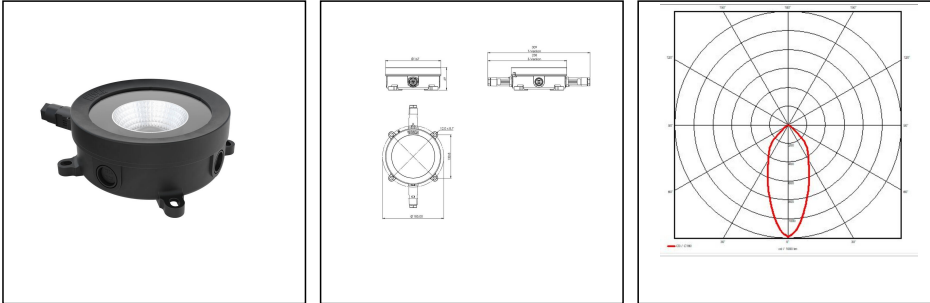


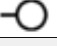
2010-1x15-MV-MB-S-L01

LED multi-purpose luminaire 2010 IP68 plastic 15W 100-230VAC



Products may differ in size, colour and appearance to those shown. If you require further information or customisation, please contact us directly.



| | |
|----------------------------------|---|
| WISKA-Order no. | 10111193 |
| Type | 2010-1x15-MV-MB-S-L01 |
| Material | PBT |
| Globe colour | Clear |
| Wattage | 15 W |
| Voltage | 230 V |
| Protection class | IP66 / IP68 (0,2 bar 30min) |
| Operational areas | Outdoor, Indoor |
| Temp. range min | -25 °C |
| Temp. range max | 50 °C |
| Lightsource | LED |
| Lightsource incl. | Yes |
| Colour temperature | 4000 K |
| Luminous flux | 1600 lm |
| Colour rendering index | RA>80 |
| Ø cable diameter min | 6 mm |
| Ø cable diameter max | 13 mm |
| Rated Lifetime | L90/B10 @Ta +45 °C |
| System Lifetime | 50000 h |
| Mounting | Wall, Ceiling, Upside down, Upside, Surface mounting |
| Using for cable gland |  |
| Colour | Black |
| External dimensions LxWxH | 238x168x69mm |
| Approval | DNV |
| Weight | 0,85 kg |

Your Contact:

WISKA India Pvt. Ltd.

Mr. Omkar Ashar · Unit No.247/248,Raheja Tesla Industrial District II , Edison Bldg No.-1A,
Plot No.GEN2/1/C/PART, TTC Industrial Area, MIDC, Juinagar, Navi Mumbai 400705, India

☎ +91-22-4967-1438 · ☎ +91-22-4967-1439 · o.ashar@wiska.in · www.wiska.in

Remarks:

Bulb: LED included, fixed

Color temperature: 4000K

Beam angle: medium beam 50°

Push-in connector 3-pole for cable Ø 6-13mm

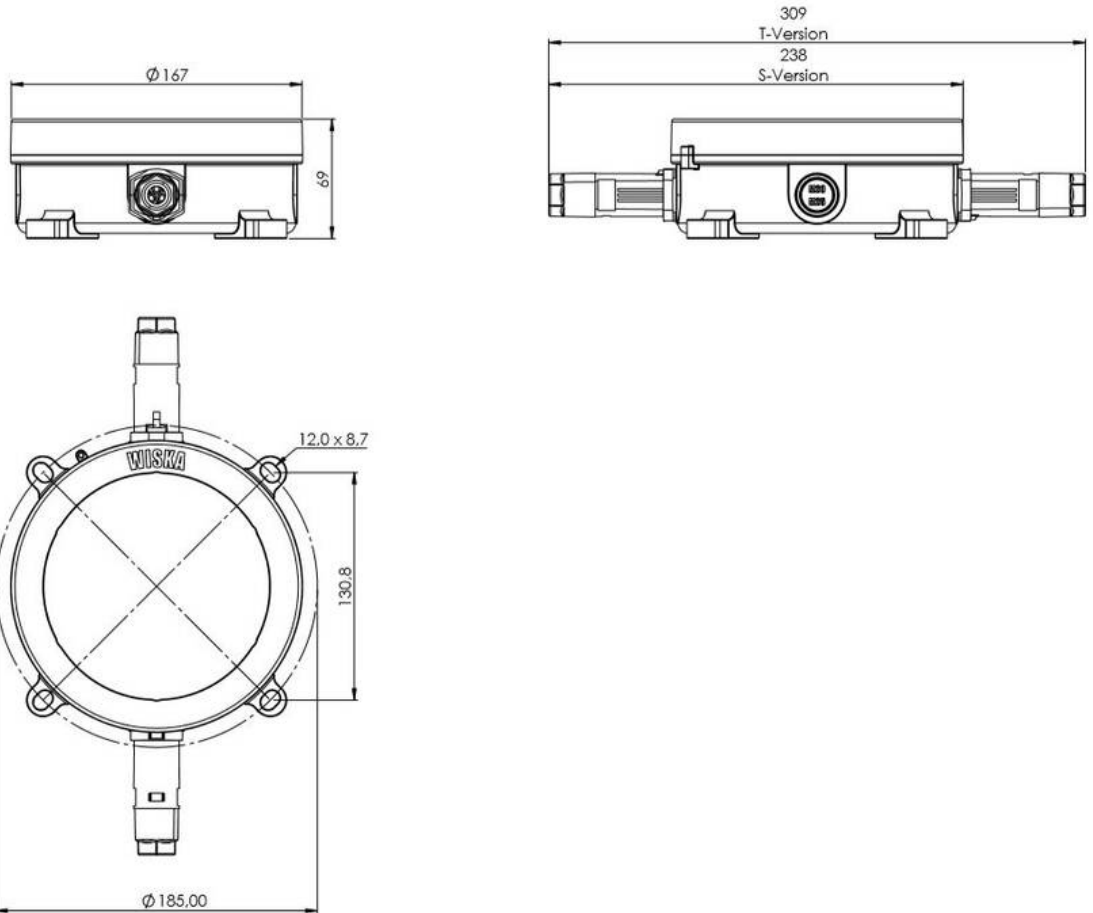
17.06.2026

Your Contact:

WISKA India Pvt. Ltd.

Mr. Omkar Ashar · Unit No.247/248,Raheja Tesla Industrial District II , Edison Bldg No.-1A,
Plot No.GEN2/1/C/PART, TTC Industrial Area, MIDC, Juinagar, Navi Mumbai 400705, India

 +91-22-4967-1438 ·  +91-22-4967-1439 · o.ashar@wiska.in · www.wiska.in



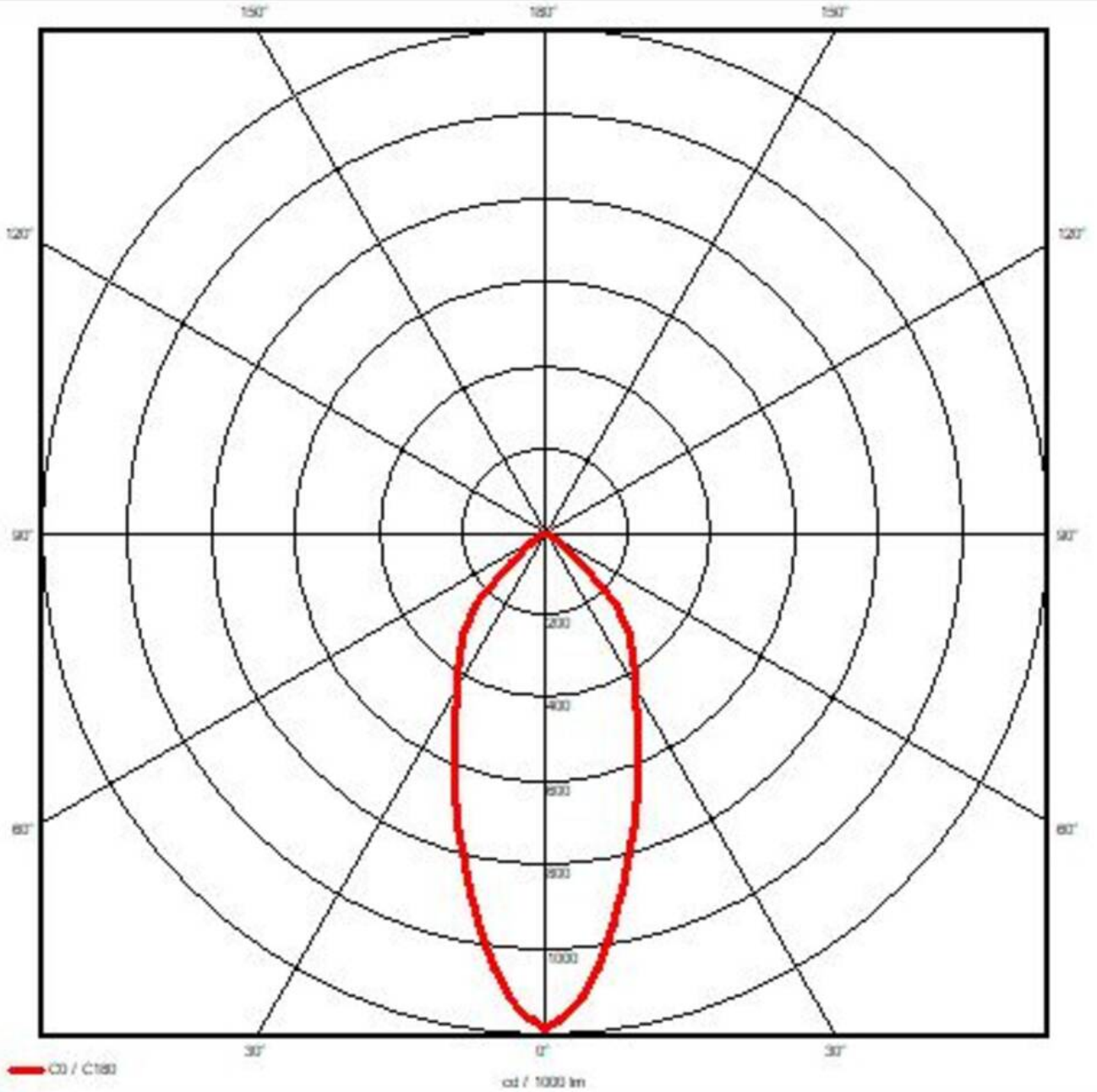
Your Contact:

WISKA India Pvt. Ltd.

Mr. Omkar Ashar · Unit No.247/248,Raheja Tesla Industrial District II , Edison Bldg No.-1A,
Plot No.GEN2/1/C/PART, TTC Industrial Area, MIDC, Juinagar, Navi Mumbai 400705, India

☎ +91-22-4967-1438 · ☎ +91-22-4967-1439 · o.ashar@wiska.in · www.wiska.in

Other technical data on request / subject to change without notice



Your Contact:

WISKA India Pvt. Ltd.

Mr. Omkar Ashar · Unit No.247/248,Raheja Tesla Industrial District II , Edison Bldg No.-1A,
Plot No.GEN2/1/C/PART, TTC Industrial Area, MIDC, Juinagar, Navi Mumbai 400705, India

☎ +91-22-4967-1438 · ☎ +91-22-4967-1439 · o.ashar@wiska.in · www.wiska.in