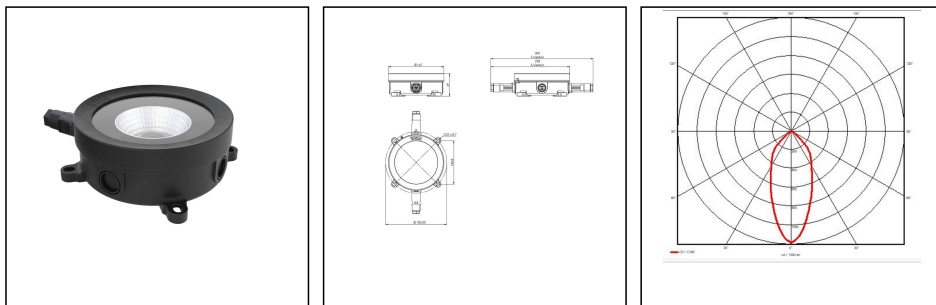


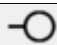
2010-1x15-24-MB-S-L01

LED multi-purpose luminaire 2010 IP68 plastic 15W 24VDC



Products may differ in size, colour and appearance to those shown. If you require further information or customisation, please contact us directly.



WISKA-Order no.	10111195
Type	2010-1x15-24-MB-S-L01
Material	PBT
Globe colour	Clear
Wattage	15 W
Voltage	24 V
Protection class	IP66 / IP68 (0,2 bar 30min)
Type of Voltage	DC
Operational areas	Outdoor, Indoor
Temp. range min	-25 °C
Temp. range max	50 °C
Lightsource	LED
Lightsource incl.	Yes
Colour temperature	4000 K
Luminous flux	1600 lm
Colour rendering index	RA>80
Ø cable diameter min	6 mm
Ø cable diameter max	13 mm
Rated Lifetime	L90/B10 @Ta +45 °C
System Lifetime	50000 h
Mounting	Upside down, Ceiling, Upside, Surface mounting, Wall
Using for cable gland	
Colour	Black
External dimensions LxWxH	238x168x69mm
Approval	DNV

Your Contact:

WISKA India Pvt. Ltd.

Mr. Omkar Ashar · Unit No.247/248,Raheja Tesla Industrial District II , Edison Bldg No.-1A,
Plot No.GEN2/1/C/PART, TTC Industrial Area, MIDC, Juinagar, Navi Mumbai 400705, India

+91-22-4967-1438 · +91-22-4967-1439 · o.ashar@wiska.in · www.wiska.in

Weight

0,85 kg

Remarks:

Bulb: LED included, fixed

Color temperature: 4000K

Beam angle: medium beam 50°

Push-in connector 3-pole for



cable Ø 6-13mm

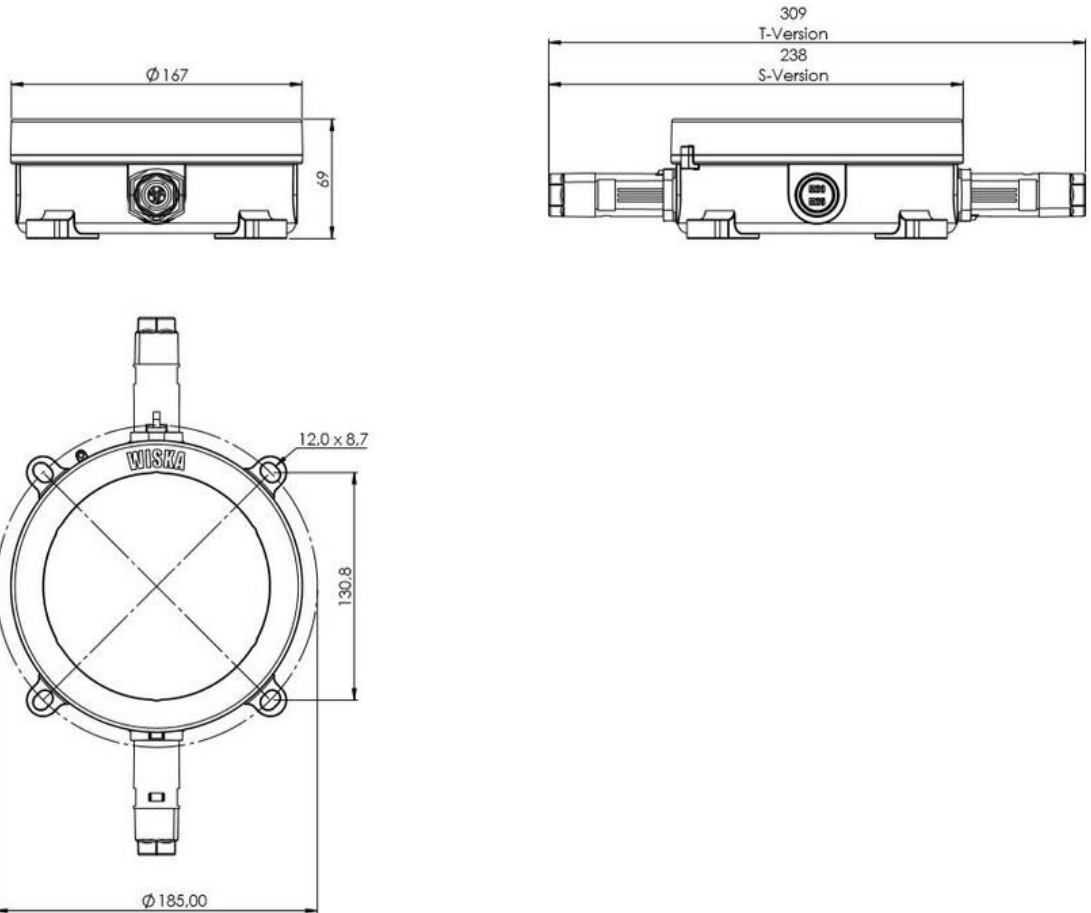
17.06.2026

Your Contact:

WISKA India Pvt. Ltd.

Mr. Omkar Ashar · Unit No.247/248,Raheja Tesla Industrial District II , Edison Bldg No.-1A,
Plot No.GEN2/1/C/PART, TTC Industrial Area, MIDC, Juinagar, Navi Mumbai 400705, India

 +91-22-4967-1438 ·  +91-22-4967-1439 · o.ashar@wiska.in · www.wiska.in



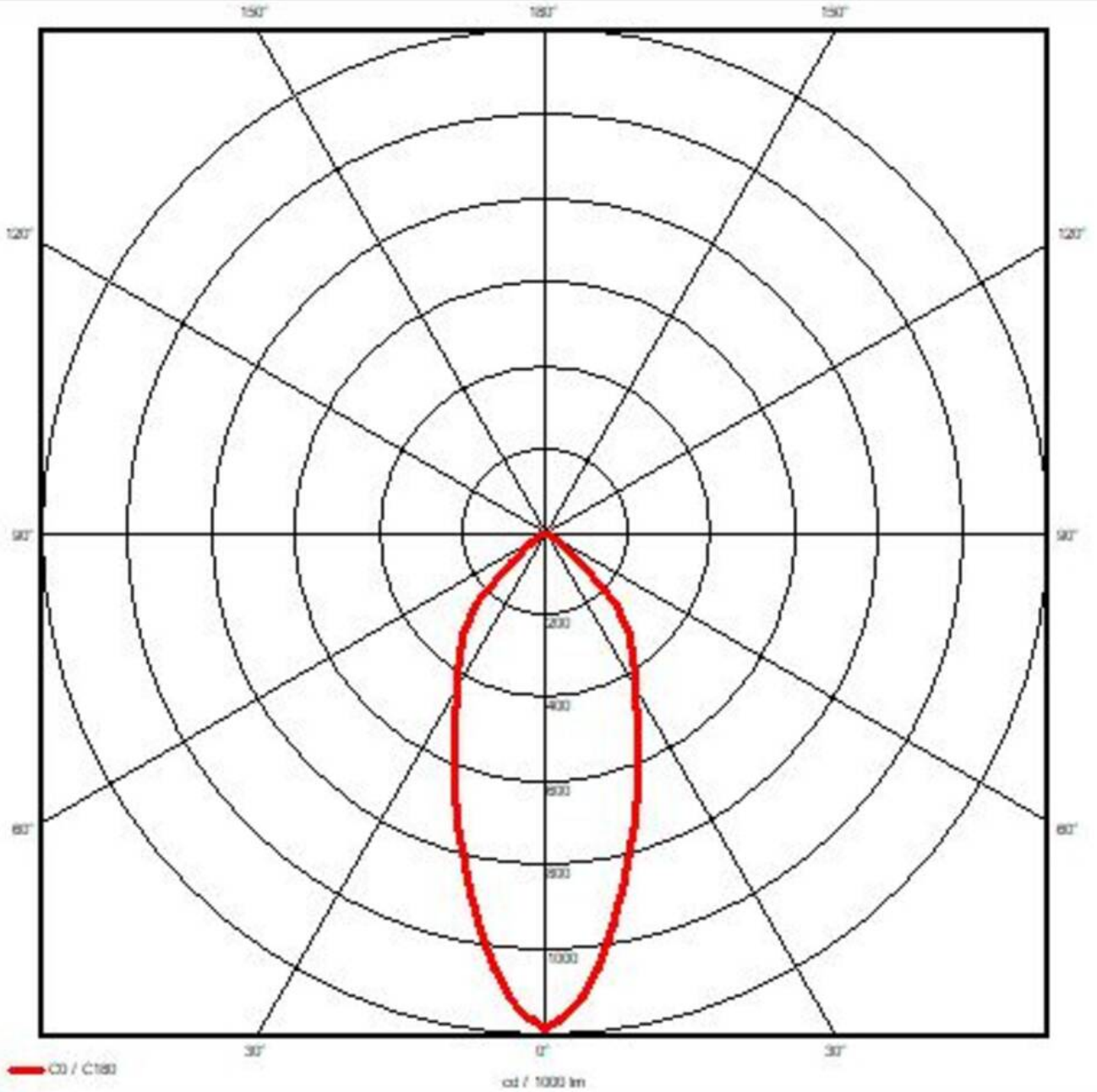
Your Contact:

WISKA India Pvt. Ltd.

Mr. Omkar Ashar · Unit No.247/248,Raheja Tesla Industrial District II , Edison Bldg No.-1A,
Plot No.GEN2/1/C/PART, TTC Industrial Area, MIDC, Juinagar, Navi Mumbai 400705, India

☎ +91-22-4967-1438 · ☎ +91-22-4967-1439 · o.ashar@wiska.in · www.wiska.in

Other technical data on request / subject to change without notice



Your Contact:

WISKA India Pvt. Ltd.

Mr. Omkar Ashar · Unit No.247/248,Raheja Tesla Industrial District II , Edison Bldg No.-1A,
Plot No.GEN2/1/C/PART, TTC Industrial Area, MIDC, Juinagar, Navi Mumbai 400705, India

☎ +91-22-4967-1438 · ☎ +91-22-4967-1439 · o.ashar@wiska.in · www.wiska.in