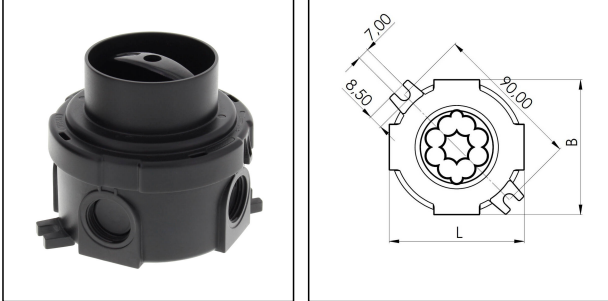


## COMBI MAR 304 SWITCH RS/6-1 BK

Rotary switch surface mounting, Change-over switch 1-pole plastic black, IP66/67



Products may differ in size, colour and appearance to those shown. If you require further information or customisation, please contact us directly.

<b>WISKA-Order no.</b>	10111249
<b>Type</b>	COMBI MAR 304 SWITCH RS/6-1 BK
<b>Voltage max. (V)</b>	250 V
<b>Current</b>	10 A
<b>Protection class</b>	IP66 / IP67
<b>Glow wire test</b>	960 °C
<b>Material</b>	Polypropylene
<b>Type of cable gland</b>	M 20 x 1,5
<b>Mounting</b>	Surface mounting
<b>Temp. range min</b>	-30 °C
<b>Temp. range max</b>	55 °C
<b>Type of switch</b>	Change-over, 1-pole
<b>Colour</b>	Black
<b>External dimensions LxWxH</b>	Ø 87 x 78 mm
<b>Variations</b>	on request

### Spare parts

<b>SP-1843 Change-over switch 6/1, 1-pol.</b>	22000356
---	----------

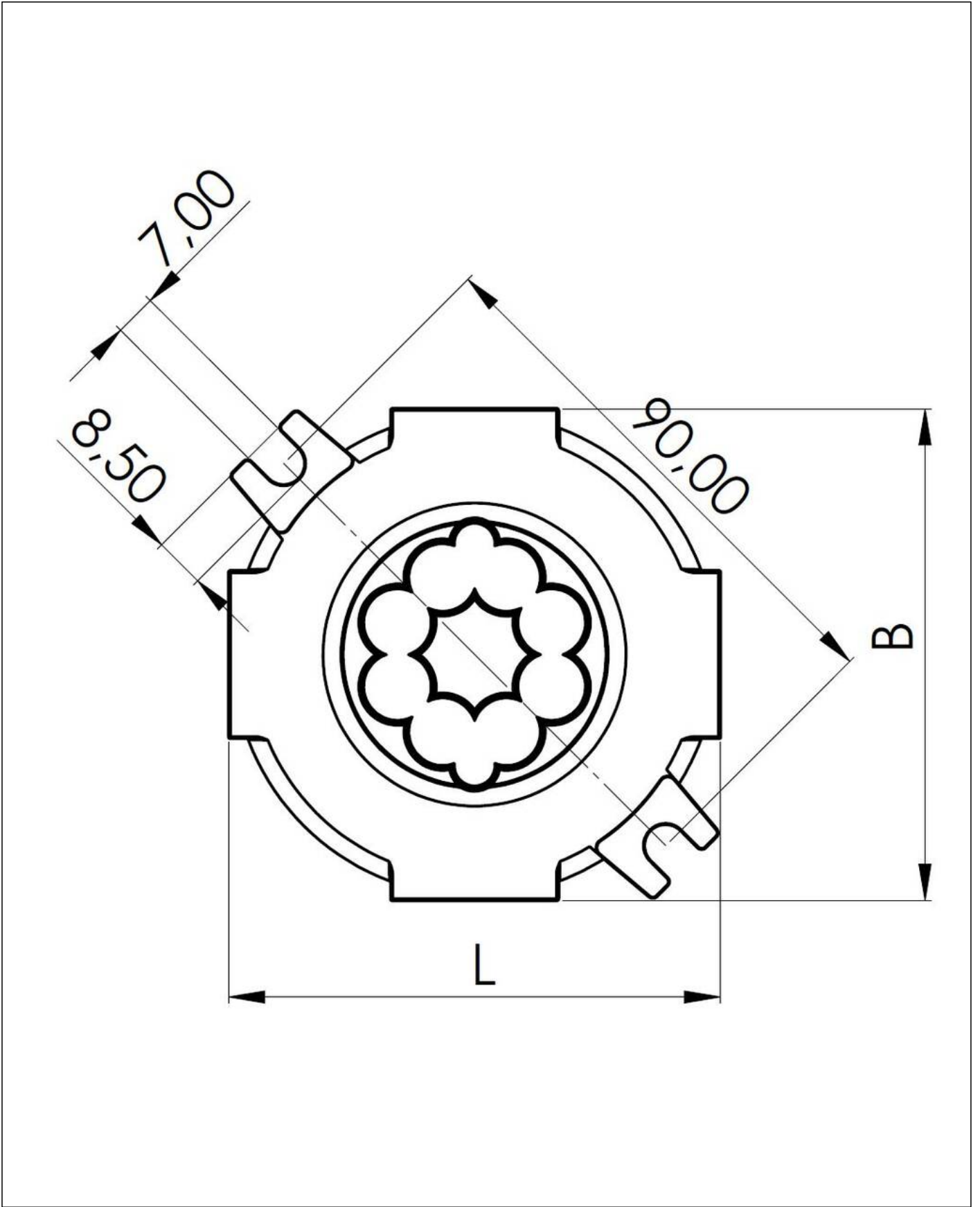
12.05.2026

Your Contact:

**WISKA India Pvt. Ltd.**

Mr. Omkar Ashar · Unit No.247/248,Raheja Tesla Industrial District II , Edison Bldg No.-1A,  
Plot No.GEN2/1/C/PART, TTC Industrial Area, MIDC, Juinagar, Navi Mumbai 400705, India

☎ +91-22-4967-1438 · ☎ +91-22-4967-1439 · o.ashar@wiska.in · www.wiska.in



Your Contact:

**WISKA India Pvt. Ltd.**

Mr. Omkar Ashar · Unit No.247/248, Raheja Tesla Industrial District II , Edison Bldg No.-1A,  
Plot No.GEN2/1/C/PART, TTC Industrial Area, MIDC, Juinagar, Navi Mumbai 400705, India

☎ +91-22-4967-1438 · ☎ +91-22-4967-1439 · o.ashar@wiska.in · www.wiska.in