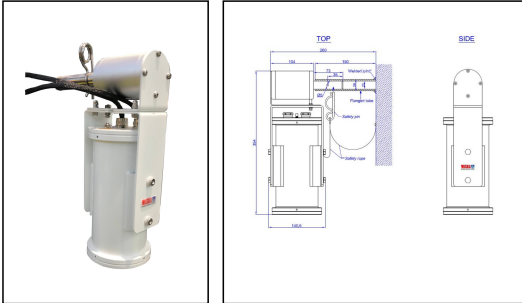


CH-S240/4032H/D400

IP-Outdoor compact camera station, pendular mounting, 32x optical zoom



Products may differ in size, colour and appearance to those shown. If you require further information or customisation, please contact us directly.

Type	CH-S240/4032H/D400
WISKA-Order no.	10111380
Material	Stainless steel
Surface	Powder coated
Colour	RAL 9016
Operational areas	Outdoor
Weight	8 kg
Protection class	IP68
Temp. range min	-30 °C
Temp. range max	55 °C
Humidity	100 %
Wash&Wipe	No
Resolution	2688x1520 (4MP)
Image Sensor	1/2.8" Starvis CMOS
Video Standard	Digital
Video Streaming	H.264/MJPEG
Zoom	Yes
Zoom (opt. x digi.)	512 (opt: 32x digi: 16x)
Frames per Second	30
Lighting Conditions	Low light
Min. illumination	0,005 lx / 0,0005 lx (b/w)
Angle of View (horizontal)	55.8° - 2.3°
Angle of View (vertical)	31.9° - 1.3°
Pan/Tilt	Hand operated
P/T-Type	D400

Your Contact:

WISKA India Pvt. Ltd.

Mr. Omkar Ashar · Unit No.247/248,Raheja Tesla Industrial District II , Edison Bldg No.-1A,
Plot No.GEN2/1/C/PART, TTC Industrial Area, MIDC, Juinagar, Navi Mumbai 400705, India

☎ +91-22-4967-1438 · ☎ +91-22-4967-1439 · o.ashar@wiska.in · www.wiska.in

Presets P/T	No
Rotation horizontal	330 °
Rotation vertical	+80 ° / -80 °
Mounting	Upside down
Vibration (0-100Hz)	1,4 g
Voltage	24 V
Type of Voltage	DC
Wattage	35 W
Junction box required	Yes
CCTV add-on	BLC, HLC, DWDR
Tariff number	85255000

Remarks:

IP Camera Outdoor CH-S240, IP68, FIX,
 resolution 4MP (2668 x 1520), 32x optical zoom,
 pendular mounting bracket D400,
 Cable length 5m
 Junction box type IBS2020 not included!
 // up-side-down mounting //

Spare parts

Pendel absorber D400	10112952
-----------------------------	----------

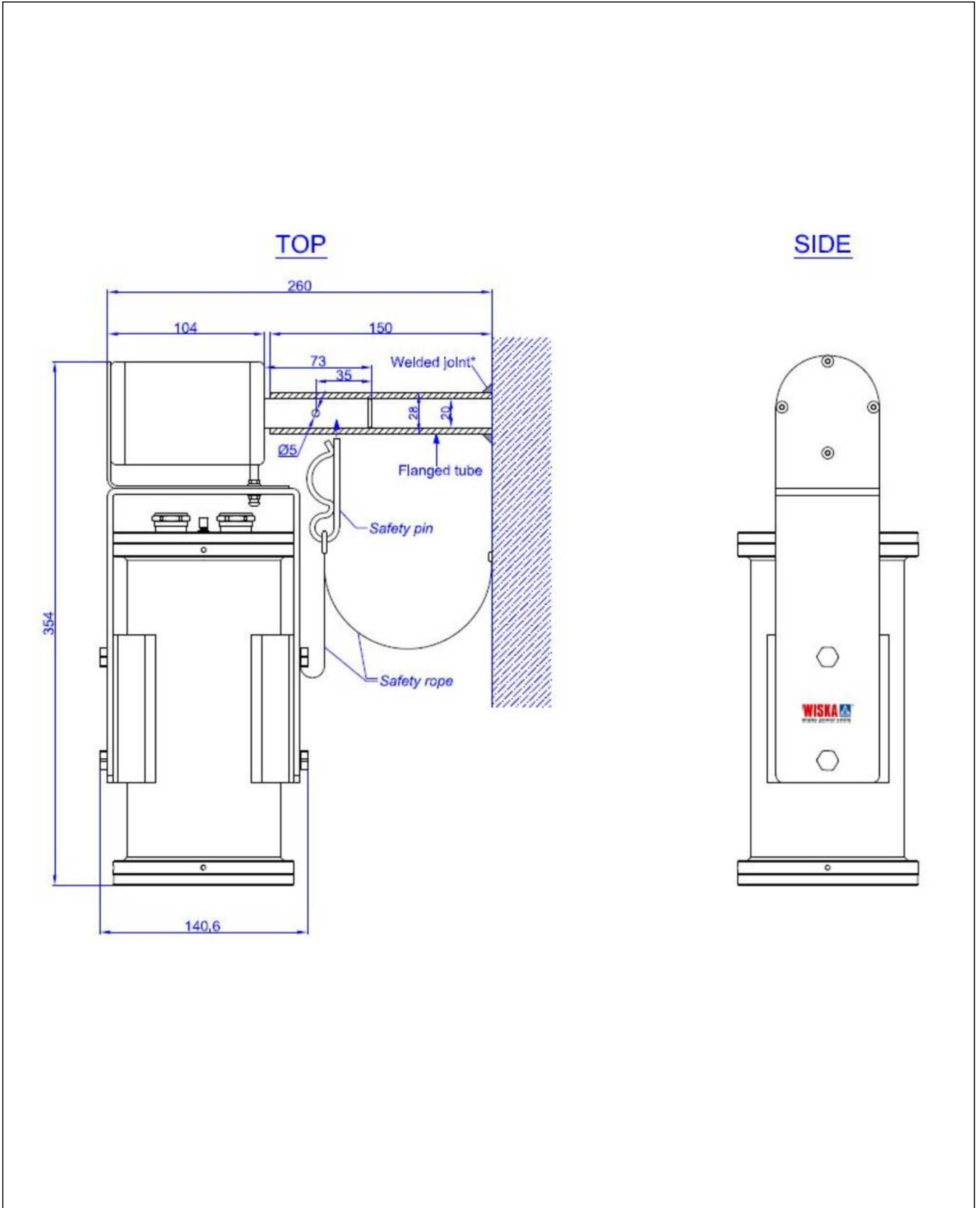
27.06.2026

Your Contact:

WISKA India Pvt. Ltd.

Mr. Omkar Ashar · Unit No.247/248,Raheja Tesla Industrial District II , Edison Bldg No.-1A,
 Plot No.GEN2/1/C/PART, TTC Industrial Area, MIDC, Juinagar, Navi Mumbai 400705, India

☎ +91-22-4967-1438 · ☎ +91-22-4967-1439 · o.ashar@wiska.in · www.wiska.in



Your Contact:

WISKA India Pvt. Ltd.

Mr. Omkar Ashar · Unit No.247/248, Raheja Tesla Industrial District II, Edison Bldg No.-1A,
Plot No.GEN2/1/C/PART, TTC Industrial Area, MIDC, Juinagar, Navi Mumbai 400705, India

☎ +91-22-4967-1438 · ☎ +91-22-4967-1439 · o.ashar@wiska.in · www.wiska.in