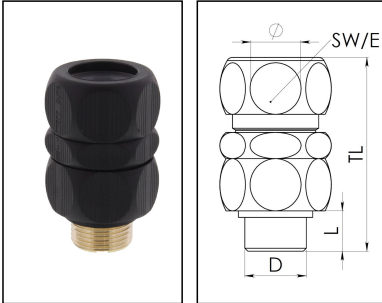


## CUPG-GS05-M25

### ShieldGLAND M25



Products may differ in size, colour and appearance to those shown. If you require further information or customisation, please contact us directly.

<b>Material cable gland</b>	Brass, Polyamide
<b>Material sealing gasket</b>	TPE, EPDM
<b>Material clamping cage</b>	Polyamide
<b>Temp. range min</b>	-40 °C
<b>Temp. range max</b>	100 °C
<b>Protection class</b>	IP68 (1,0 bar 30 min)
<b>Thread type</b>	M
<b>Ø Connection thread D</b>	25
<b>Lead</b>	1,5
<b>Length screw-in thread L</b>	13 mm
<b>Ø cable diameter min</b>	17 mm
<b>Ø cable diameter max</b>	28 mm
<b>Ø cable below cable shield max</b>	17 mm - 21 mm
<b>Key width SW</b>	41 mm
<b>Collar diameter (E)</b>	46 mm
<b>Total length TL</b>	61 mm - 65 mm
<b>Install. torques cap nut</b>	8 N m
<b>Install. torques fitting</b>	8 N m
<b>Advice</b>	LSF, LSOH
<b>WISKA-Order no.</b>	10112107
<b>Type</b>	CUPG-GS05-M25
<b>Packing unit</b>	10
<b>Tariff number</b>	74198090
<b>EAN number</b>	4007686292077
<b>ETIM-Classification</b>	EC000441

Your Contact:

WISKA India Pvt. Ltd.

Mr. Omkar Ashar · Unit No.247/248,Raheja Tesla Industrial District II , Edison Bldg No.-1A,  
Plot No.GEN2/1/C/PART, TTC Industrial Area, MIDC, Juinagar, Navi Mumbai 400705, India

☎ +91-22-4967-1438 · ☎ +91-22-4967-1439 · o.ashar@wiska.in · www.wiska.in

**Remarks:**

**LSF = Low smoke and fume**

**LSOH = Low smoke zero halogen**

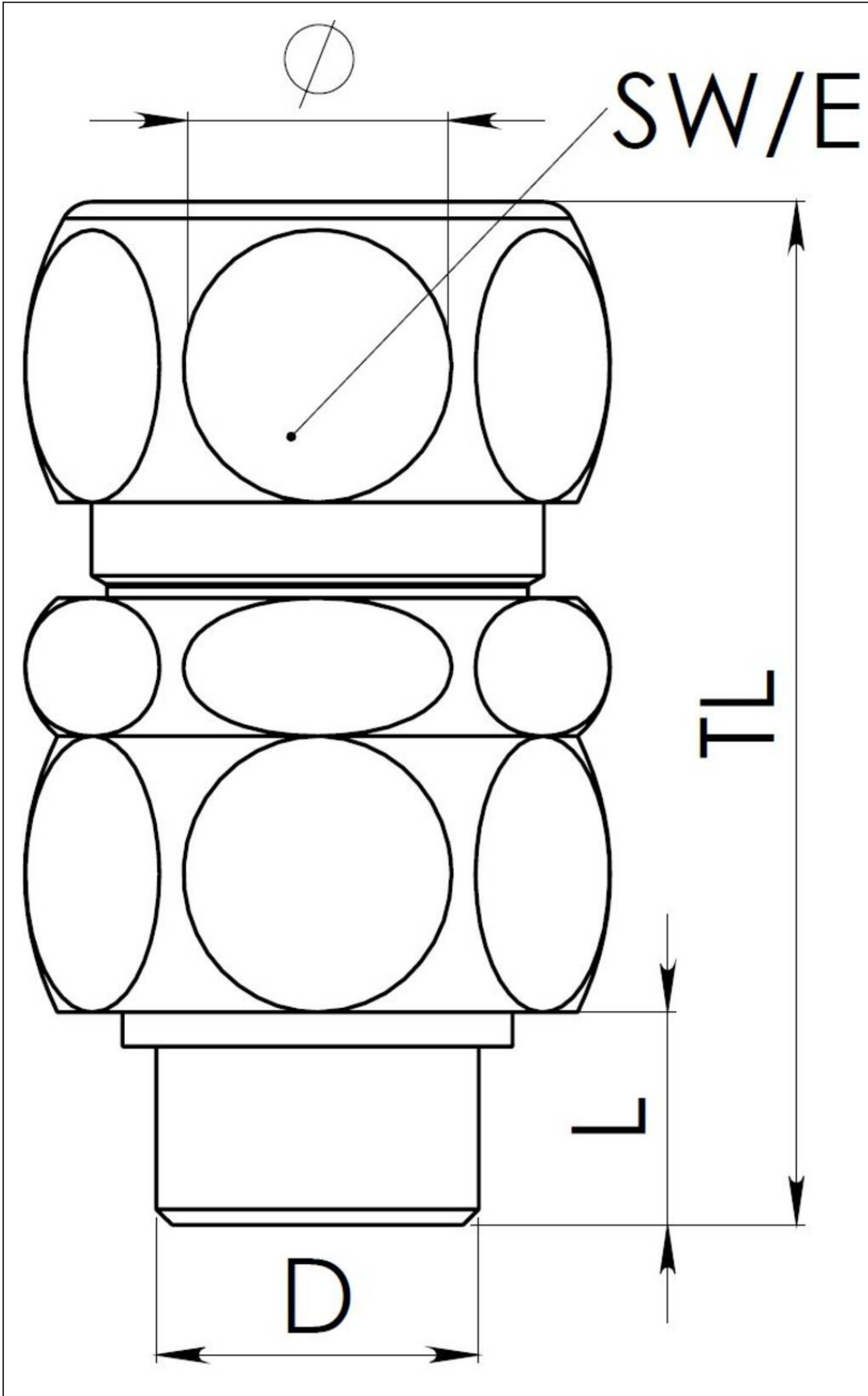
12.05.2026

Your Contact:

**WISKA India Pvt. Ltd.**

Mr. Omkar Ashar · Unit No.247/248,Raheja Tesla Industrial District II , Edison Bldg No.-1A,  
Plot No.GEN2/1/C/PART, TTC Industrial Area, MIDC, Juinagar, Navi Mumbai 400705, India

 +91-22-4967-1438 ·  +91-22-4967-1439 · o.ashar@wiska.in · www.wiska.in



Your Contact:

**WISKA India Pvt. Ltd.**

Mr. Omkar Ashar · Unit No.247/248, Raheja Tesla Industrial District II , Edison Bldg No.-1A,  
Plot No.GEN2/1/C/PART, TTC Industrial Area, MIDC, Juinagar, Navi Mumbai 400705, India

☎ +91-22-4967-1438 · ☎ +91-22-4967-1439 · o.ashar@wiska.in · www.wiska.in