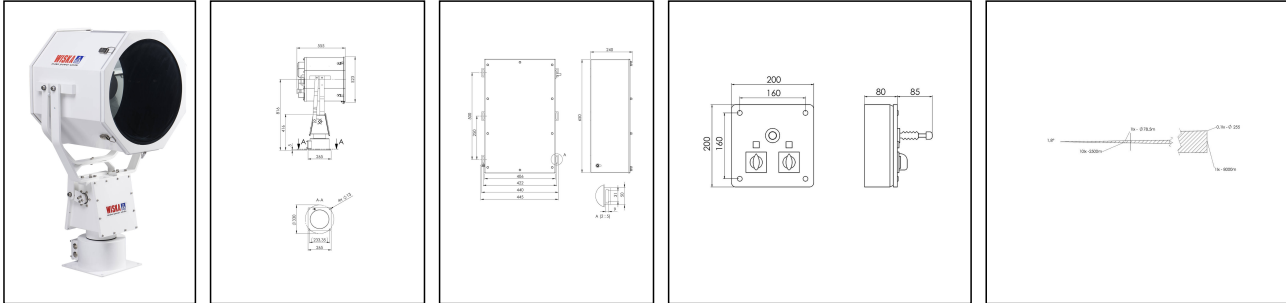


SX450 -1000-EO(220)-P27-R16-I02

Searchlight with Xenon lamp Ø 450mm 1000W 230V



Products may differ in size, colour and appearance to those shown. If you require further information or customisation, please contact us directly.

WISKA-Order no.	10112111
Type	SX450 -1000-EO(220)-P27-R16-I02
P/T-Type	FL52/230VAC
Horizontal °/s	5 °/sec
Vertical °/s	2,4 °/sec
Rotation horizontal	+185°/-185°
Rotation vertical	+34° / -34°
Material	Stainless steel
Control unit	RCU-A
Wattage	1000 W
Colour	RAL 9016
Surface	Powder coated
Voltage	230 V
Type of Voltage	AC
Frequence	50/60 Hz
Protection class	IP56
Operational areas	Outdoor
Reflector	Glass
Focusing	electric
Lightsource	Xenon lamp
Lightsource incl.	Yes
Luminous flux	32000 lm
Average lamp durability	2000 h
Light performance	immediately
Range (1 lux)	8000 m

Your Contact:

WISKA India Pvt. Ltd.

Mr. Omkar Ashar · Unit No.247/248,Raheja Tesla Industrial District II , Edison Bldg No.-1A,
Plot No.GEN2/1/C/PART, TTC Industrial Area, MIDC, Juinagar, Navi Mumbai 400705, India

☎ +91-22-4967-1438 · ☎ +91-22-4967-1439 · o.ashar@wiska.in · www.wiska.in

Light intensity mio/cd	64
Divergence	1,8°l/10
Temp. range min	-25 °C
Temp. range max	45 °C
Power supply, electronic	PSUX-E: 1000W outdoor
Type of cable gland	ESKVS 20, ESKVS 32
Material cable gland	Polyamide
Type of cable	non-armoured
Globe colour	Clear
Mounting	Upside
Tariff number	94054910

Remarks:

SX450: Searchlight with xenon short arc lamp 1000W, IP56 glass parabolic mirror 450mm
 1000W
 EO(220): Electronic power supply unit PSUX-EO outside IP66/67 + heater, 230V
 P27: Pan and Tilt unit FL52, 230V
 R16: Remote control unit surface RCU-A-F, 230V
 I02: with electric focus

Equipment:

- Toughened front glass
- Rubber sealing
- Quick fastening devices
- Ignition unit
- Stand-by heater
- Anti dazzle screen

Spare parts

SP-S-450 front frame + front glass	22000018
SP-SX/SH-450 Primary mirror	22000019
SP-SX/SH-450 Auxiliary reflector 100mm	22000020
SP-SX450 Xenon lamp 1000W	22000022
SP-SX450-Ignition unit XBO 1000W	22000035
SP-S-Quick releases clamp (4 pcs)	22000050
SP-S-Searchlight silicone 310ml	22000067
SP-SW-Gasket for searchlight housing	22000116
SP-S-FL52 Motor Unit Tilt (V) 230VAC	22001025
SP-S-FL52 Motor Unit Pan (H) 230VAC	22001026
SP-S-FL52 Cover sealing set	22001027

Your Contact:

WISKA India Pvt. Ltd.

Mr. Omkar Ashar · Unit No.247/248, Raheja Tesla Industrial District II , Edison Bldg No.-1A,
 Plot No.GEN2/1/C/PART, TTC Industrial Area, MIDC, Juinagar, Navi Mumbai 400705, India

☎ +91-22-4967-1438 · ☎ +91-22-4967-1439 · o.ashar@wiska.in · www.wiska.in

SP-S-FL52 Limit Switch Unit Tilt (V)	22001028
SP-S-FL52 Toothed wheel (H)	22001029
SP-S-FL52 Circuit board 230VAC	22001030
SP-S-FL52 Limit Switch Pan (H)	22001031
SP-S-FL52 Limit Switch Tilt (V)	22001032
SP-S-FL52 Motor Plate Tilt (V) 230VAC	22001033
SP-S-FL52 Internal control cable 7G1.0	22001034

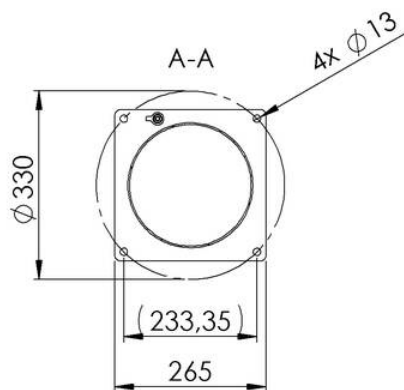
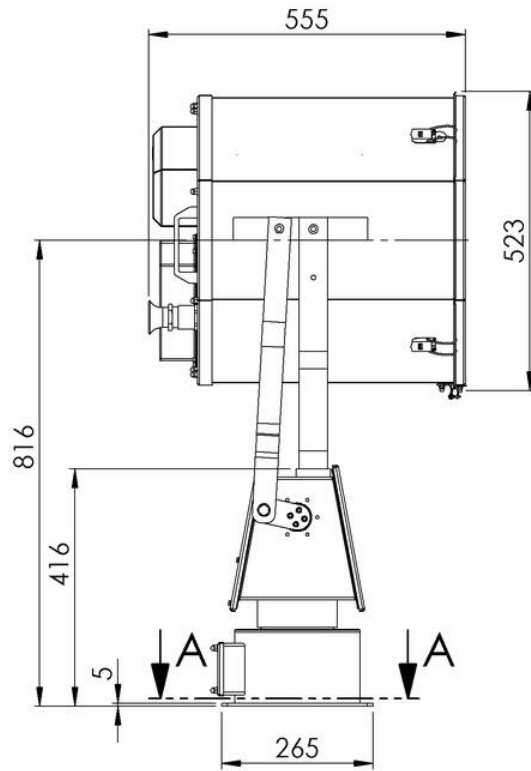
12.05.2026

Your Contact:

WISKA India Pvt. Ltd.

Mr. Omkar Ashar · Unit No.247/248,Raheja Tesla Industrial District II , Edison Bldg No.-1A,
Plot No.GEN2/1/C/PART, TTC Industrial Area, MIDC, Juinagar, Navi Mumbai 400705, India

☎ +91-22-4967-1438 · ☎ +91-22-4967-1439 · o.ashar@wiska.in · www.wiska.in

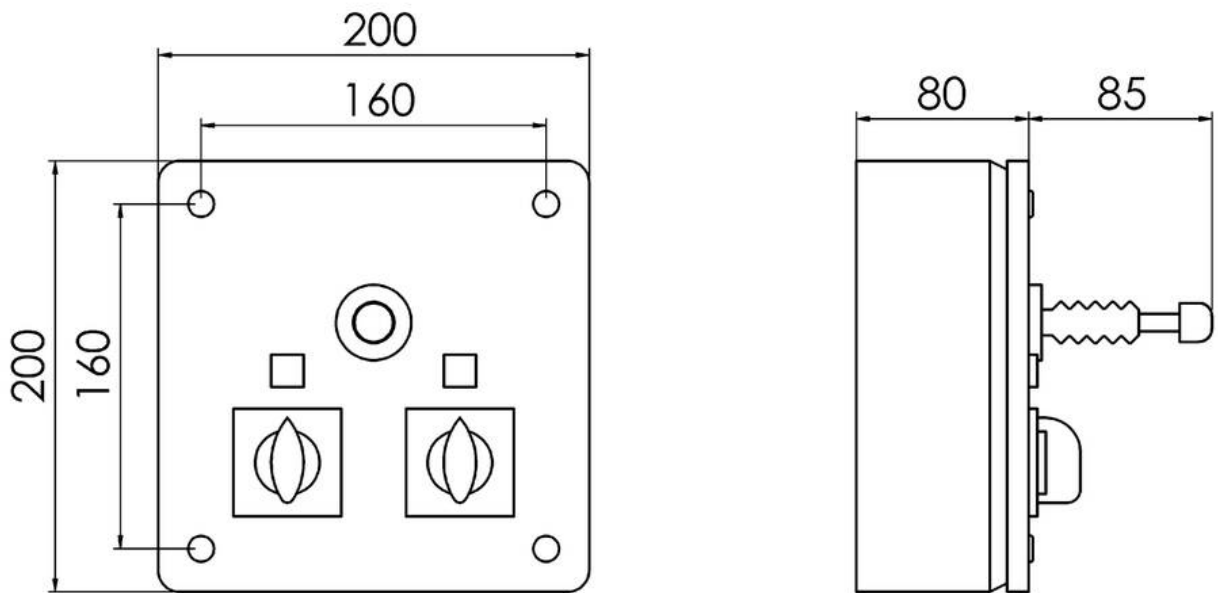


Your Contact:

WISKA India Pvt. Ltd.

Mr. Omkar Ashar · Unit No.247/248,Raheja Tesla Industrial District II , Edison Bldg No.-1A,
Plot No.GEN2/1/C/PART, TTC Industrial Area, MIDC, Juinagar, Navi Mumbai 400705, India

☎ +91-22-4967-1438 · ☎ +91-22-4967-1439 · o.ashar@wiska.in · www.wiska.in

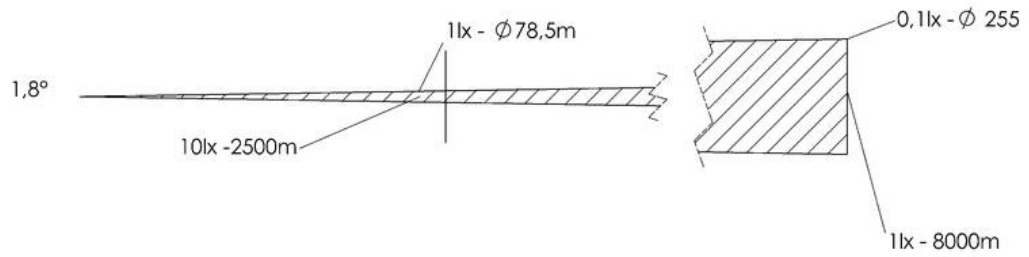


Your Contact:

WISKA India Pvt. Ltd.

Mr. Omkar Ashar · Unit No.247/248,Raheja Tesla Industrial District II , Edison Bldg No.-1A,
Plot No.GEN2/1/C/PART, TTC Industrial Area, MIDC, Juinagar, Navi Mumbai 400705, India

☎ +91-22-4967-1438 · ☎ +91-22-4967-1439 · o.ashar@wiska.in · www.wiska.in



Your Contact:

WISKA India Pvt. Ltd.

Mr. Omkar Ashar · Unit No.247/248, Raheja Tesla Industrial District II , Edison Bldg No.-1A,
Plot No.GEN2/1/C/PART, TTC Industrial Area, MIDC, Juinagar, Navi Mumbai 400705, India

☎ +91-22-4967-1438 · ☎ +91-22-4967-1439 · o.ashar@wiska.in · www.wiska.in

Other technical data on request / subject to change without notice