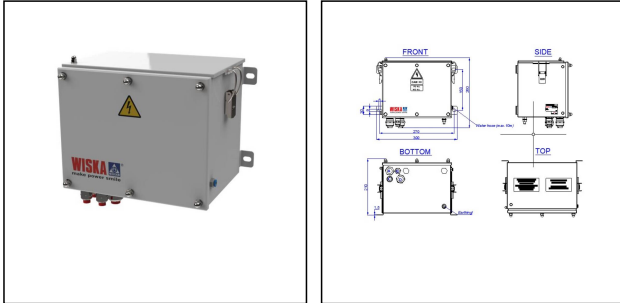


## WTC2520/FIX/EP

Junction box/water tank combination, Stainless steel 2,5L IP66/67



Products may differ in size, colour and appearance to those shown. If you require further information or customisation, please contact us directly.

<b>Type</b>	WTC2520/FIX/EP
<b>WISKA-Order no.</b>	10112120
<b>Material</b>	Stainless Steel 316L (1.4404)
<b>Protection class</b>	IP66
<b>Temp. range min</b>	-30 °C
<b>Temp. range max</b>	55 °C
<b>Vibration (0-100Hz)</b>	0,7 g
<b>Operational areas</b>	Indoor / Outdoor
<b>Range of use</b>	Network system
<b>for camera</b>	IP
<b>Mounting</b>	Surface mounting
<b>Colour</b>	RAL 9016
<b>Surface</b>	Powder coated
<b>Advice</b>	incl. 10m Waterhose
<b>Voltage</b>	100 V - 240 V
<b>Type of Voltage</b>	AC, 50-60Hz
<b>Max. Power</b>	4 A
<b>Max. Wattage&lt;br/&gt;</b>	163 W
<b>Weight</b>	6 kg
<b>Tariff number</b>	85369010

Remarks:

Junction box/water tank combination  
 type WTC2520/FIX/EP, Stainless steel S316L,  
 2,5L IP66  
 For fixed IP camera station type

Your Contact:

**WISKA India Pvt. Ltd.**

Mr. Omkar Ashar · Unit No.247/248,Raheja Tesla Industrial District II , Edison Bldg No.-1A,  
 Plot No.GEN2/1/C/PART, TTC Industrial Area, MIDC, Juinagar, Navi Mumbai 400705, India

☎ +91-22-4967-1438 · ☎ +91-22-4967-1439 · o.ashar@wiska.in · www.wiska.in

**Power supply: 100...240VAC /50-60Hz 4A**

**Cable glands: 4x EMSKV 20, 1x EMSKV 25**

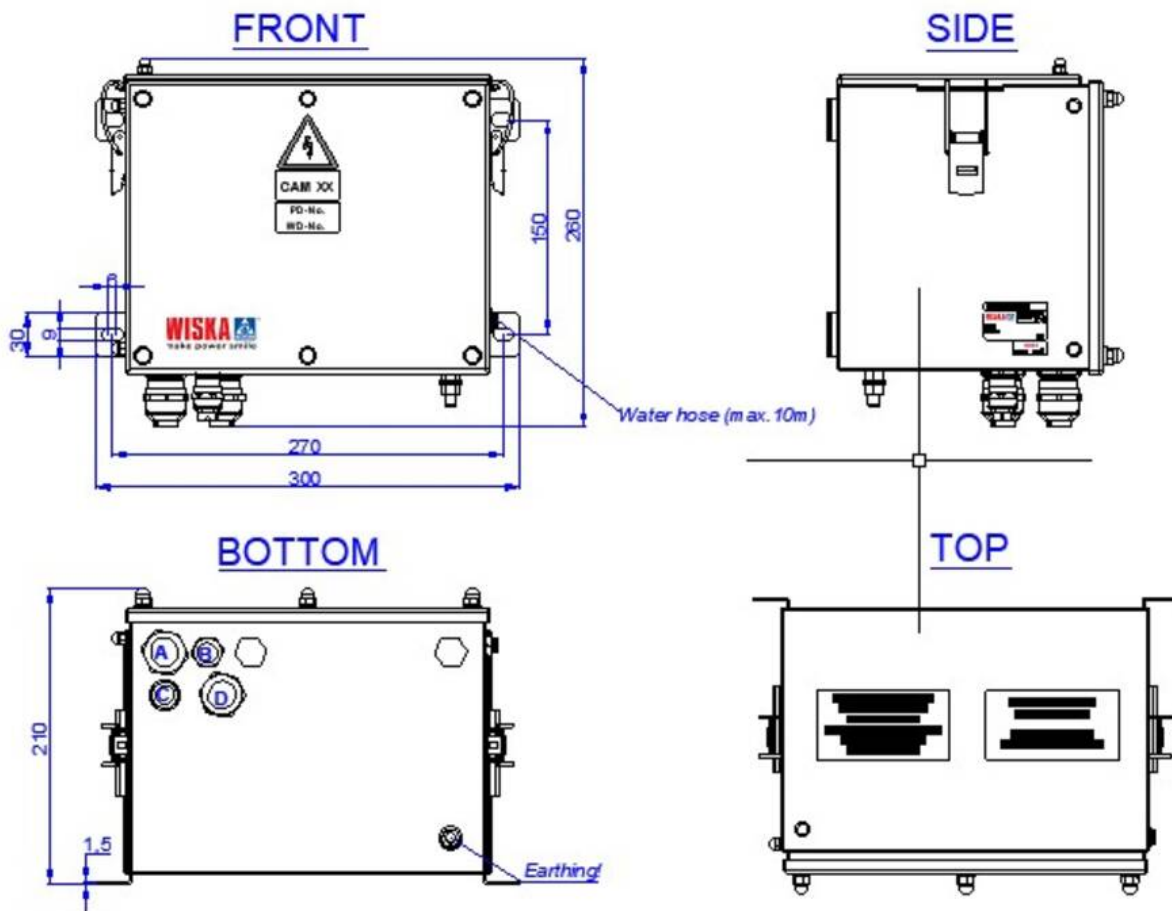
12.05.2026

Your Contact:

**WISKA India Pvt. Ltd.**

Mr. Omkar Ashar · Unit No.247/248,Raheja Tesla Industrial District II , Edison Bldg No.-1A,  
Plot No.GEN2/1/C/PART, TTC Industrial Area, MIDC, Juinagar, Navi Mumbai 400705, India

☎ +91-22-4967-1438 · ☎ +91-22-4967-1439 · o.ashar@wiska.in · www.wiska.in



Your Contact:

**WISKA India Pvt. Ltd.**

Mr. Omkar Ashar · Unit No.247/248,Raheja Tesla Industrial District II , Edison Bldg No.-1A,  
Plot No.GEN2/1/C/PART, TTC Industrial Area, MIDC, Juinagar, Navi Mumbai 400705, India

☎ +91-22-4967-1438 · ☎ +91-22-4967-1439 · o.ashar@wiska.in · www.wiska.in