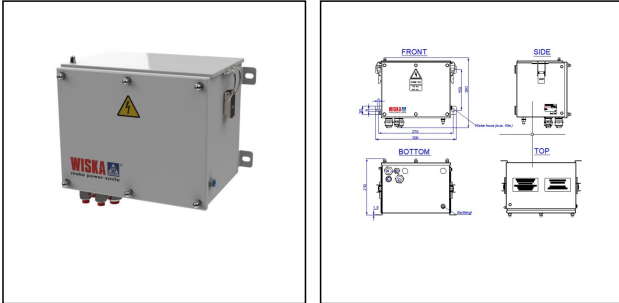


WTC2520/PTZ

Junction box/water tank combination, Stainless steel 2,5L IP66/67



Products may differ in size, colour and appearance to those shown. If you require further information or customisation, please contact us directly.

Type	WTC2520/PTZ
WISKA-Order no.	10112121
Material	Stainless Steel 316L (1.4404)
Protection class	IP66
Temp. range min	-30 °C
Temp. range max	55 °C
Vibration (0-100Hz)	0,7 g
Operational areas	Indoor / Outdoor
Range of use	Network system
for camera	IP
Mounting	Surface mounting
Colour	RAL 9016
Surface	Powder coated
Advice	incl. 10m Waterhose
Voltage	24 V
Type of Voltage	DC
Max. Power	4 A
Max. Wattage 	50 W
Weight	6 kg
Tariff number	85369010

Remarks:

Junction box/water tank combination
 type WTC2520/PTZ, Stainless steel S316L,
 2,5L IP66
 For PTZ IP camera station type

Your Contact:

WISKA India Pvt. Ltd.

Mr. Omkar Ashar · Unit No.247/248,Raheja Tesla Industrial District II , Edison Bldg No.-1A,
 Plot No.GEN2/1/C/PART, TTC Industrial Area, MIDC, Juinagar, Navi Mumbai 400705, India

☎ +91-22-4967-1438 · ☎ +91-22-4967-1439 · o.ashar@wiska.in · www.wiska.in

Power supply: 24VDC 4A from camera

Cable glands: 3x EMSKV 20, 1x EMSKV 25

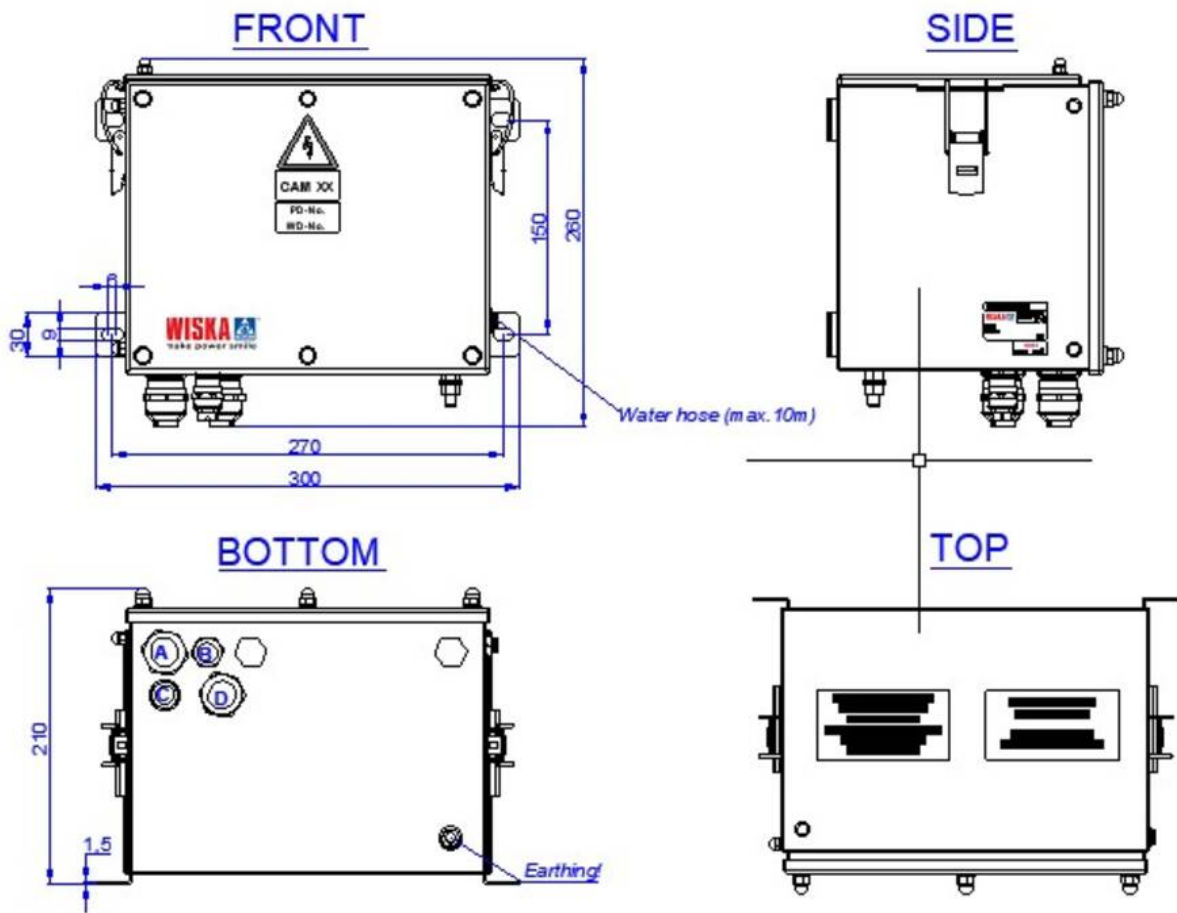
12.05.2026

Your Contact:

WISKA India Pvt. Ltd.

Mr. Omkar Ashar · Unit No.247/248,Raheja Tesla Industrial District II , Edison Bldg No.-1A,
Plot No.GEN2/1/C/PART, TTC Industrial Area, MIDC, Juinagar, Navi Mumbai 400705, India

☎ +91-22-4967-1438 · ☎ +91-22-4967-1439 · o.ashar@wiska.in · www.wiska.in



Your Contact:

WISKA India Pvt. Ltd.

Mr. Omkar Ashar · Unit No.247/248,Raheja Tesla Industrial District II , Edison Bldg No.-1A,
Plot No.GEN2/1/C/PART, TTC Industrial Area, MIDC, Juinagar, Navi Mumbai 400705, India

☎ +91-22-4967-1438 · ☎ +91-22-4967-1439 · o.ashar@wiska.in · www.wiska.in