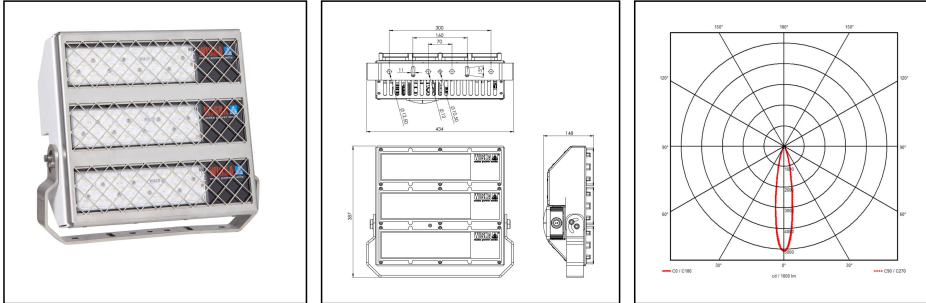


5200-3x40W-MV-WB-1AA-G02

Ex-LED Floodlight 5200, IP66/IP67



Products may differ in size, colour and appearance to those shown. If you require further information or customisation, please contact us directly.



WISKA-Order no.	10112360
Type	5200-3x40W-MV-WB-1AA-G02
Material	Stainless steel, Plastic
Wattage	120 W
Power[^]	3 x 40 W
Voltage	230 V
Voltage min. (V)	100 V
Voltage max. (V)	240 V
Type of Voltage	AC
Frequence	50/60 Hz
Protection class	IP66 / IP67
Temp. range min	-30 °C
Temp. range max	55 °C
Operational areas	Indoor / Outdoor
Mounting	Upside, Ceiling, Wall
Approval	IECEx EPS 22.0096X, EPS 23 ATEX 1 151 X
Explosion Groups	IIC
Temp.-class	T4
Zone	22, 2
Reflector	Wide beam
Lightsource	LED
Lightsource incl.	Yes
Luminous flux	12000 lm
Colour temperature	5600 K
Colour rendering index	≥ 80

Your Contact:

WISKA India Pvt. Ltd.

Mr. Omkar Ashar · Unit No.247/248,Raheja Tesla Industrial District II , Edison Bldg No.-1A,
Plot No.GEN2/1/C/PART, TTC Industrial Area, MIDC, Juinagar, Navi Mumbai 400705, India

☎ +91-22-4967-1438 · ☎ +91-22-4967-1439 · o.ashar@wiska.in · www.wiska.in



Rated Lifetime	L70/B10 @Ta +45 °C
System Lifetime	120000 h
Type of cable gland	ESKV 25 / 9-17mm
Material cable gland	Polyamide
Using for cable gland	
Ø cable diameter min	9 mm
Ø cable diameter max	17 mm
External dimensions LxWxH	437x387x148mm
Equipment	Guard
Weight	12,84 kg
Tariff number	94054990

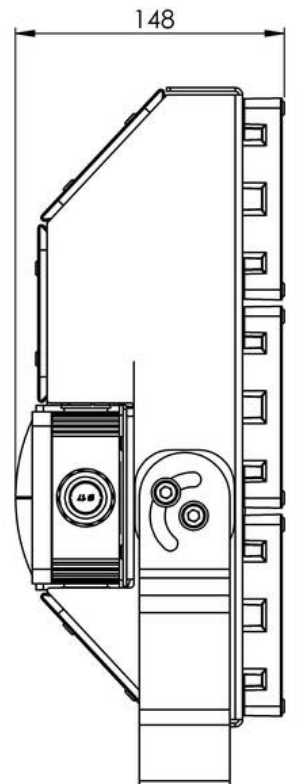
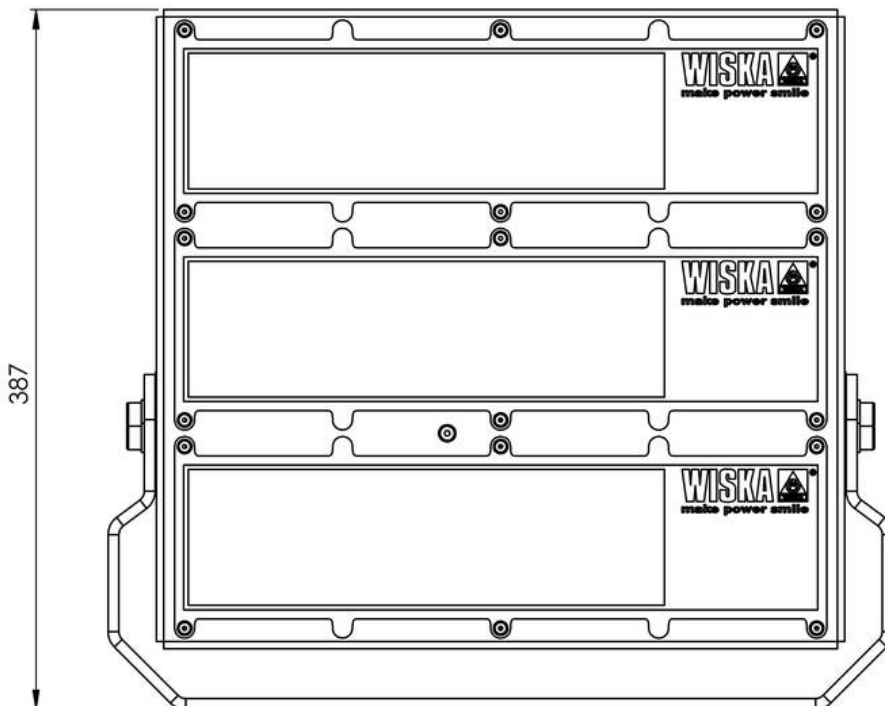
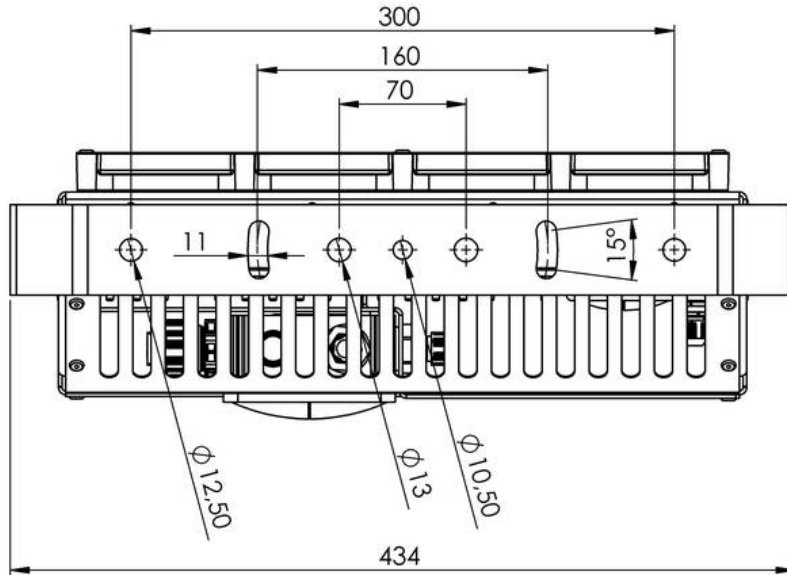
27.06.2026

Your Contact:

WISKA India Pvt. Ltd.

Mr. Omkar Ashar · Unit No.247/248,Raheja Tesla Industrial District II , Edison Bldg No.-1A,
Plot No.GEN2/1/C/PART, TTC Industrial Area, MIDC, Juinagar, Navi Mumbai 400705, India

 +91-22-4967-1438 ·  +91-22-4967-1439 · o.ashar@wiska.in · www.wiska.in

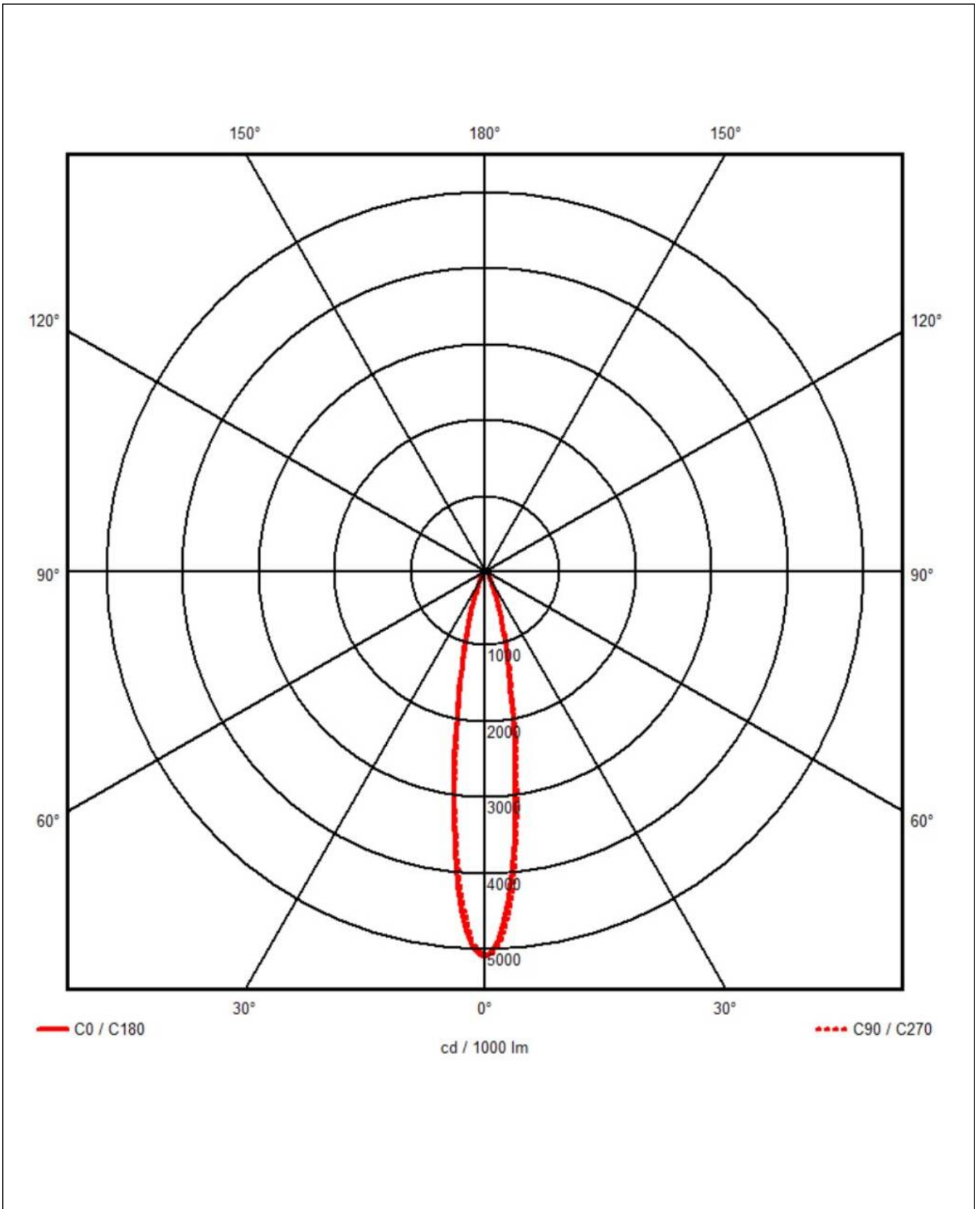


Your Contact:

WISKA India Pvt. Ltd.

Mr. Omkar Ashar · Unit No.247/248,Raheja Tesla Industrial District II , Edison Bldg No.-1A,
Plot No.GEN2/1/C/PART, TTC Industrial Area, MIDC, Juinagar, Navi Mumbai 400705, India

☎ +91-22-4967-1438 · ☎ +91-22-4967-1439 · o.ashar@wiska.in · www.wiska.in



Your Contact:

WISKA India Pvt. Ltd.

Mr. Omkar Ashar · Unit No.247/248,Raheja Tesla Industrial District II , Edison Bldg No.-1A,
Plot No.GEN2/1/C/PART, TTC Industrial Area, MIDC, Juinagar, Navi Mumbai 400705, India

☎ +91-22-4967-1438 · ☎ +91-22-4967-1439 · o.ashar@wiska.in · www.wiska.in