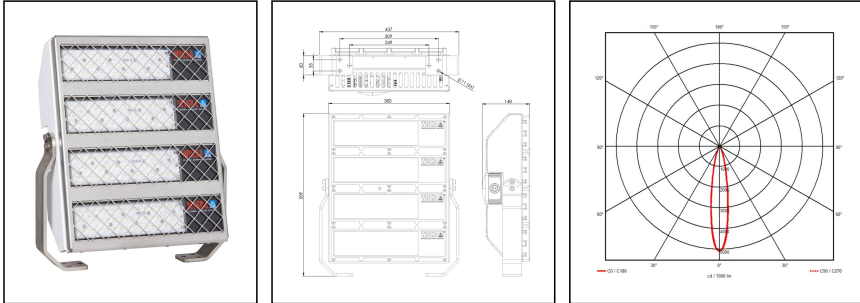


## 5200-4x40W-MV-WB-1AA-G02

Ex-LED Floodlight 5200, IP66/IP67



Products may differ in size, colour and appearance to those shown. If you require further information or customisation, please contact us directly.



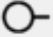
<b>WISKA-Order no.</b>	10112363
<b>Type</b>	5200-4x40W-MV-WB-1AA-G02
<b>Material</b>	Stainless steel, Plastic
<b>Wattage</b>	160 W
<b>Power<sup>^</sup></b>	4 x 40 W
<b>Voltage</b>	230 V
<b>Voltage min. (V)</b>	100 V
<b>Voltage max. (V)</b>	240 V
<b>Type of Voltage</b>	AC
<b>Frequence</b>	50/60 Hz
<b>Protection class</b>	IP66 / IP67
<b>Temp. range min</b>	-30 °C
<b>Temp. range max</b>	55 °C
<b>Operational areas</b>	Indoor / Outdoor
<b>Mounting</b>	Upside, Ceiling, Wall
<b>Approval</b>	IECEx EPS 22.0096X, EPS 23 ATEX 1 151 X
<b>Explosion Groups</b>	IIC
<b>Temp.-class</b>	T4
<b>Zone</b>	22, 2
<b>Reflector</b>	Wide beam
<b>Lightsource</b>	LED
<b>Lightsource incl.</b>	Yes
<b>Luminous flux</b>	16000 lm
<b>Colour temperature</b>	5600 K
<b>Colour rendering index</b>	≥ 80

Your Contact:

WISKA India Pvt. Ltd.

Mr. Omkar Ashar · Unit No.247/248,Raheja Tesla Industrial District II , Edison Bldg No.-1A,  
Plot No.GEN2/1/C/PART, TTC Industrial Area, MIDC, Juinagar, Navi Mumbai 400705, India

☎ +91-22-4967-1438 · ☎ +91-22-4967-1439 · o.ashar@wiska.in · www.wiska.in



<b>Rated Lifetime</b>	L70/B10 @Ta +45 °C
<b>System Lifetime</b>	120000 h
<b>Type of cable gland</b>	ESKV 25 / 9-17mm
<b>Material cable gland</b>	Polyamide
<b>Using for cable gland</b>	
<b>Ø cable diameter min</b>	9 mm
<b>Ø cable diameter max</b>	17 mm
<b>External dimensions LxWxH</b>	437x512x158mm
<b>Equipment</b>	Guard
<b>Weight</b>	17,1 kg
<b>Tariff number</b>	94054990

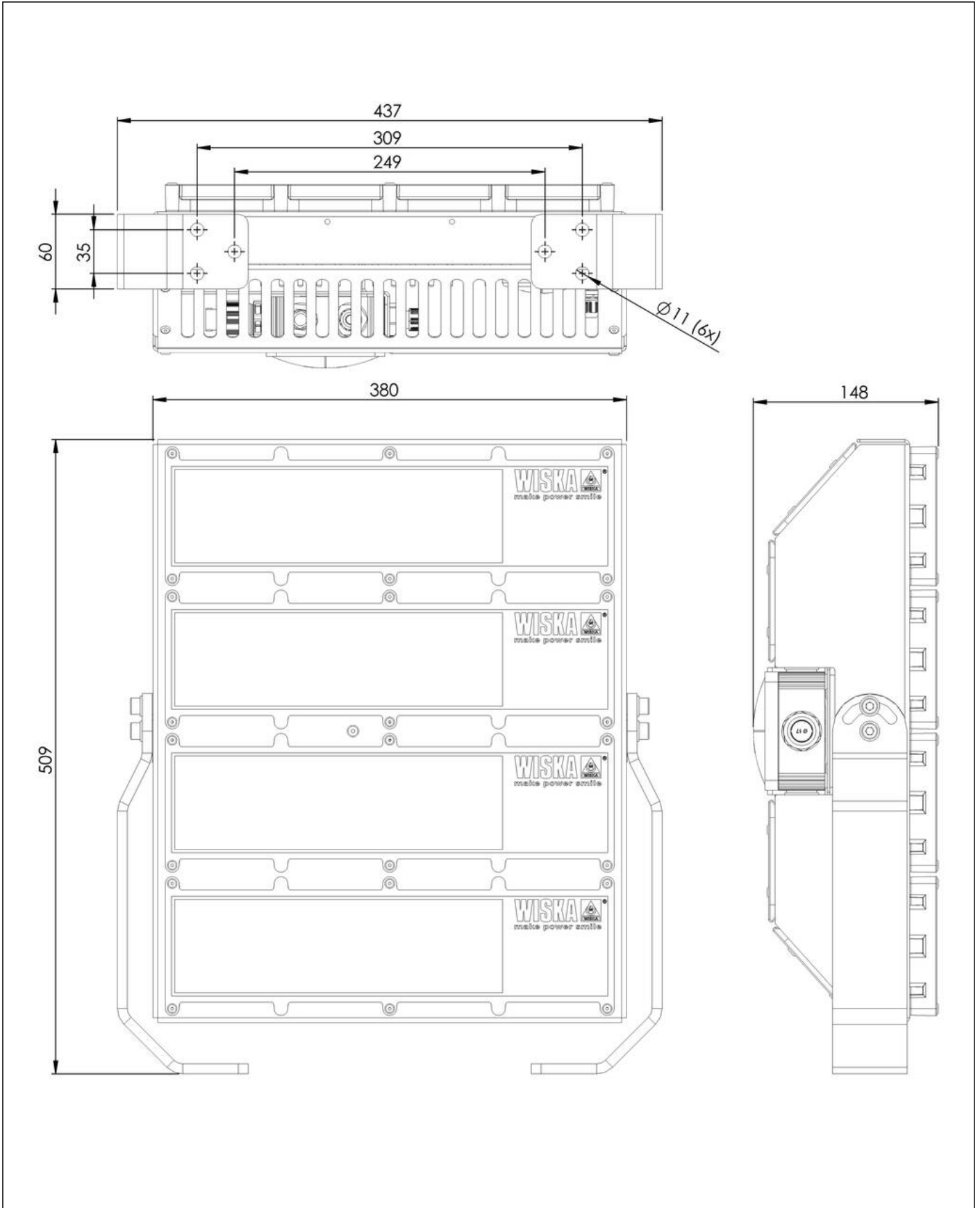
27.06.2026

Your Contact:

**WISKA India Pvt. Ltd.**

Mr. Omkar Ashar · Unit No.247/248,Raheja Tesla Industrial District II , Edison Bldg No.-1A,  
Plot No.GEN2/1/C/PART, TTC Industrial Area, MIDC, Juinagar, Navi Mumbai 400705, India

 +91-22-4967-1438 ·  +91-22-4967-1439 · o.ashar@wiska.in · www.wiska.in

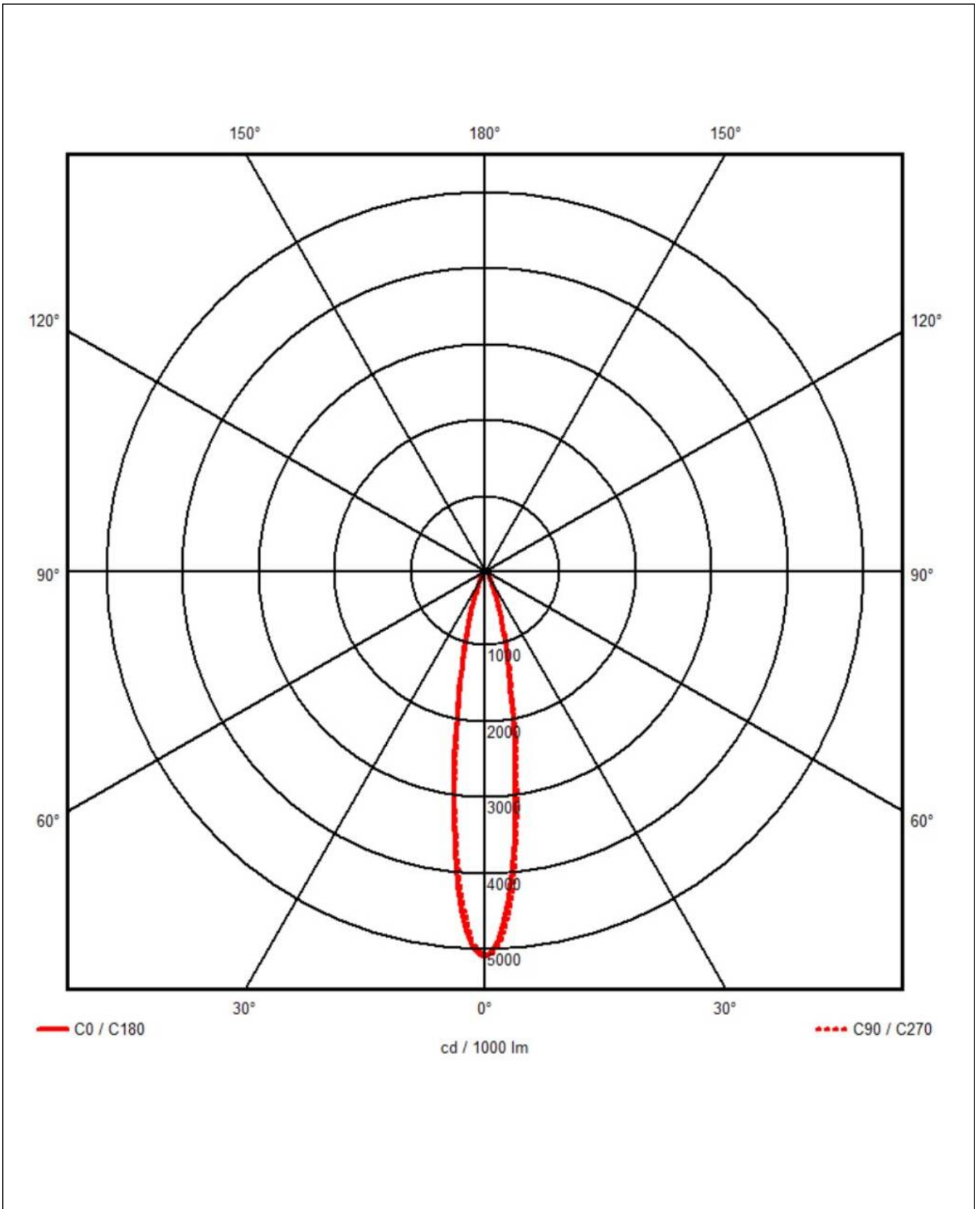


Your Contact:

**WISKA India Pvt. Ltd.**

Mr. Omkar Ashar · Unit No.247/248,Raheja Tesla Industrial District II , Edison Bldg No.-1A,  
Plot No.GEN2/1/C/PART, TTC Industrial Area, MIDC, Juinagar, Navi Mumbai 400705, India

☎ +91-22-4967-1438 · ☎ +91-22-4967-1439 · o.ashar@wiska.in · www.wiska.in



Your Contact:

**WISKA India Pvt. Ltd.**

Mr. Omkar Ashar · Unit No.247/248,Raheja Tesla Industrial District II , Edison Bldg No.-1A,  
Plot No.GEN2/1/C/PART, TTC Industrial Area, MIDC, Juinagar, Navi Mumbai 400705, India

☎ +91-22-4967-1438 · ☎ +91-22-4967-1439 · o.ashar@wiska.in · www.wiska.in

Other technical data on request / subject to change without notice