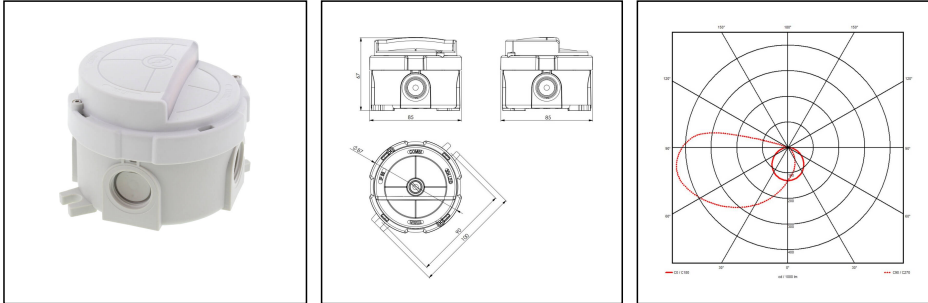


## COMBI 304 LED Light AC LG

LED multi-purpose luminaire 304 plastic 2,5W, 230VAC



Products may differ in size, colour and appearance to those shown. If you require further information or customisation, please contact us directly.

<b>WISKA-Order no.</b>	10112593
<b>Type</b>	COMBI 304 LED Light AC LG
<b>Material</b>	Plastic
<b>Globe colour</b>	Opal
<b>Power<sup>^</sup></b>	2,5 W
<b>Voltage</b>	230 V
<b>Protection class</b>	IP66
<b>Type of Voltage</b>	AC / DC
<b>Frequence</b>	50/60 Hz
<b>Operational areas</b>	Outdoor, Indoor
<b>Temp. range min</b>	-20 °C
<b>Temp. range max</b>	45 °C
<b>Lightsource</b>	LED
<b>Lightsource incl.</b>	Yes
<b>Colour temperature</b>	2700 K
<b>Luminous flux</b>	200 lm
<b>Colour rendering index</b>	RA>90
<b>Type of cable gland</b>	M 20 x 1,5
<b>Average lamp durability</b>	30000 h
<b>Rated Lifetime</b>	L90/B10 @Ta +45 °C
<b>Mounting</b>	Wall, Surface mounting
<b>Colour</b>	Grey
<b>External dimensions LxWxH</b>	Ø 87 x 67 mm
<b>Weight</b>	0,16 kg

Remarks:

Your Contact:

**WISKA India Pvt. Ltd.**

Mr. Omkar Ashar · Unit No.247/248,Raheja Tesla Industrial District II , Edison Bldg No.-1A,  
Plot No.GEN2/1/C/PART, TTC Industrial Area, MIDC, Juinagar, Navi Mumbai 400705, India

☎ +91-22-4967-1438 · ☎ +91-22-4967-1439 · o.ashar@wiska.in · www.wiska.in

- incl. 1 Ventgland ESVG 20 BK for cable Ø 6-13mm  
enclosed loose

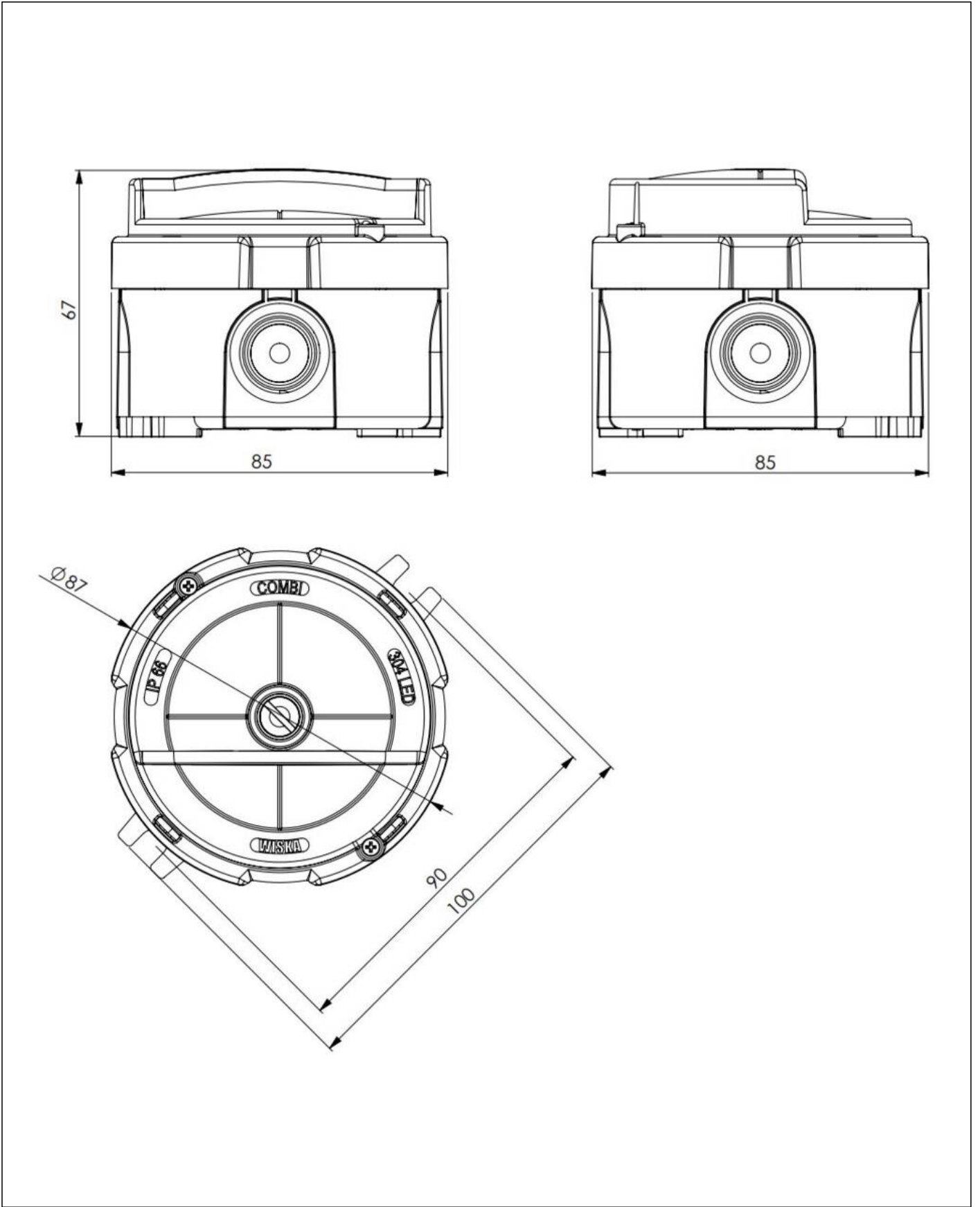
12.05.2026

Your Contact:

**WISKA India Pvt. Ltd.**

Mr. Omkar Ashar · Unit No.247/248,Raheja Tesla Industrial District II , Edison Bldg No.-1A,  
Plot No.GEN2/1/C/PART, TTC Industrial Area, MIDC, Juinagar, Navi Mumbai 400705, India

☎ +91-22-4967-1438 · ☎ +91-22-4967-1439 · o.ashar@wiska.in · www.wiska.in

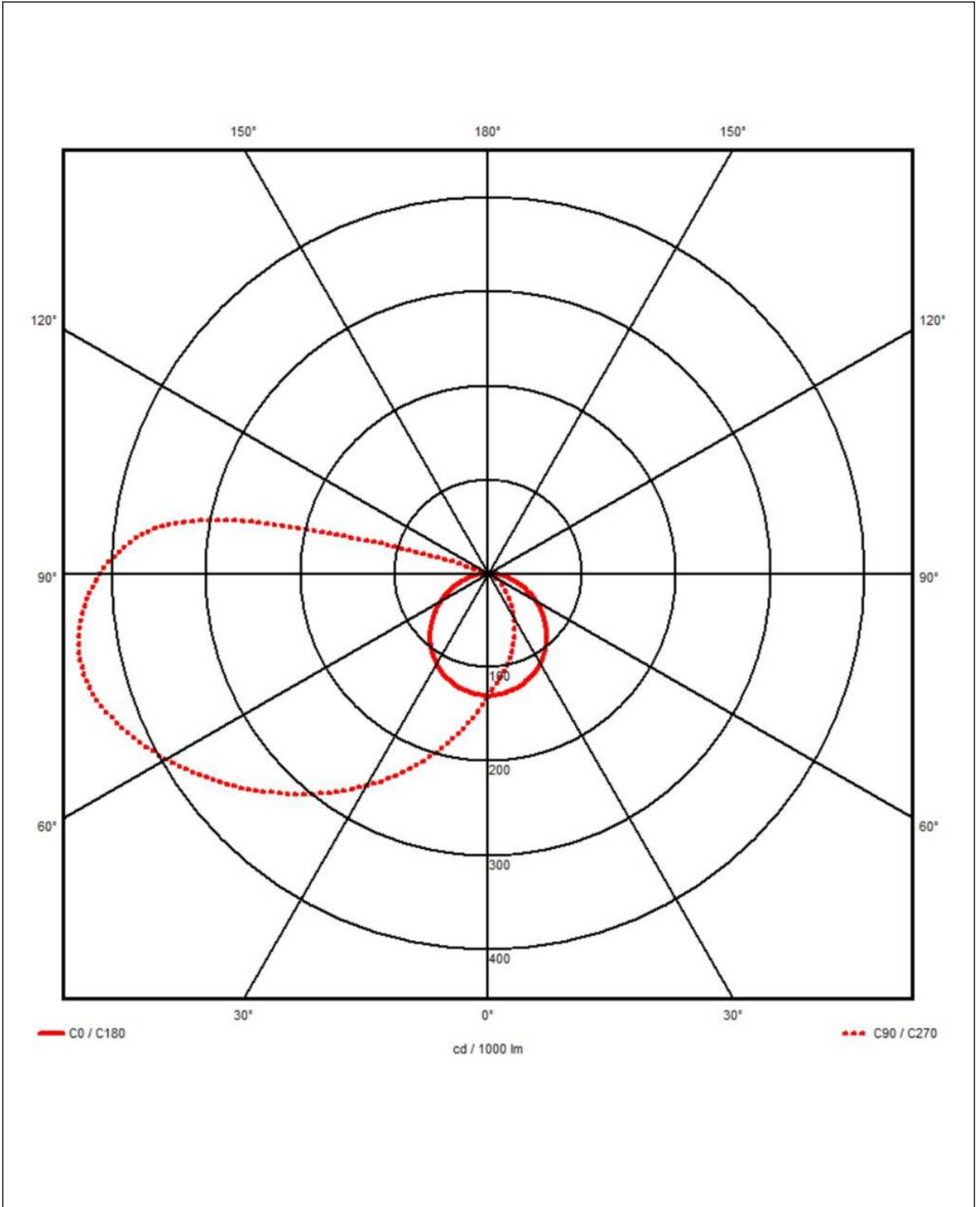


Your Contact:

**WISKA India Pvt. Ltd.**

Mr. Omkar Ashar · Unit No.247/248,Raheja Tesla Industrial District II , Edison Bldg No.-1A,  
Plot No.GEN2/1/C/PART, TTC Industrial Area, MIDC, Juinagar, Navi Mumbai 400705, India

☎ +91-22-4967-1438 · ☎ +91-22-4967-1439 · o.ashar@wiska.in · www.wiska.in



Your Contact:

**WISKA India Pvt. Ltd.**

Mr. Omkar Ashar · Unit No.247/248,Raheja Tesla Industrial District II , Edison Bldg No.-1A,  
Plot No.GEN2/1/C/PART, TTC Industrial Area, MIDC, Juinagar, Navi Mumbai 400705, India

☎ +91-22-4967-1438 · ☎ +91-22-4967-1439 · o.ashar@wiska.in · www.wiska.in