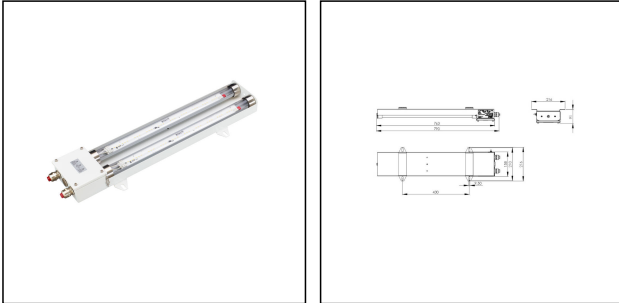


## 4201-2x13-230-2AA-LE

LED Ex multi-purpose luminaire 4201 stainless steel 2x13W 230V IP66/68



Products may differ in size, colour and appearance to those shown. If you require further information or customisation, please contact us directly.



<b>WISKA-Order no.</b>	10112613
<b>Type</b>	4201-2x13-230-2AA-LE
<b>Material</b>	Stainless steel
<b>Material globe/diffuser</b>	Polycarbonate
<b>Globe colour</b>	Clear
<b>Wattage</b>	26 W
<b>Power<sup>^</sup></b>	2 x 13 W
<b>Voltage</b>	230 V
<b>Type of Voltage</b>	AC
<b>Frequence</b>	50/60 Hz
<b>Protection class</b>	IP66 / IP68
<b>Operational areas</b>	Explosion protection, Outdoor
<b>Temp. range min</b>	-30 °C
<b>Temp. range max</b>	55 °C
<b>Lightsource</b>	LED
<b>Lightsource incl.</b>	Yes
<b>Colour temperature</b>	5600 K
<b>Luminous flux</b>	2800 lm
<b>Rated Lifetime</b>	L70/B50 @Ta +35 °C
<b>System Lifetime</b>	100000 h
<b>Colour rendering index</b>	CRI>80
<b>Material cable gland</b>	Brass nickel-plated
<b>Mounting</b>	Ceiling, Wall, Surface mounting
<b>Approval</b>	IECEX EPS 19.0109 X, EPS 19 ATEX 1 076 X
<b>Zone</b>	1

Your Contact:

WISKA India Pvt. Ltd.

Mr. Omkar Ashar · Unit No.247/248,Raheja Tesla Industrial District II , Edison Bldg No.-1A,  
Plot No.GEN2/1/C/PART, TTC Industrial Area, MIDC, Juinagar, Navi Mumbai 400705, India

☎ +91-22-4967-1438 · ☎ +91-22-4967-1439 · o.ashar@wiska.in · www.wiska.in

<b>Equipment</b>	Through wiring
<b>Product Color</b>	RAL 9016
<b>Surface</b>	Powder coated
<b>Weight</b>	5 kg

Remarks:

LED Ex multi-purpose luminaire, IP66/68

Ex db eb IIC T5...T6 Gb,

Ex tb IIIC T100°C ...T85°C Db

Certificates: IECEx EPS 19.0109X

EPS 19 ATEX 1 076 X

220/230V, 50/60Hz

2x13W LED, 5600K

LED strip

housing made of stainless steel

tube made of polycarbonate, clear

Luminous flux 2800lm

2 cable glands mounted on terminal box

EMSKE-L 25 EMV-Z brass, nickel-plated

for cable 10-17mm in diameter

4x3-pole spring terminal 4mm<sup>2</sup>

mounting via 2 mounting brackets

27.06.2026

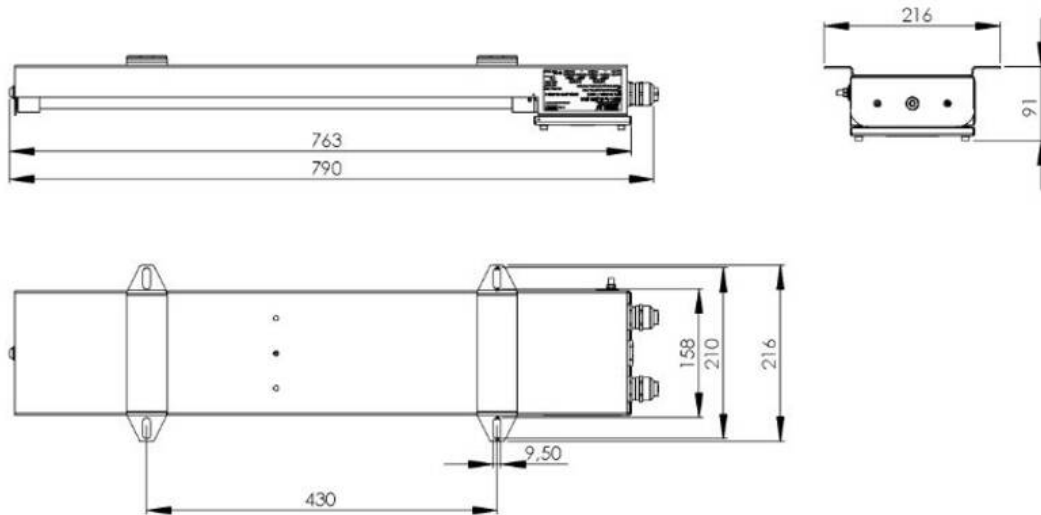
Your Contact:

**WISKA India Pvt. Ltd.**

Mr. Omkar Ashar · Unit No.247/248,Raheja Tesla Industrial District II , Edison Bldg No.-1A,

Plot No.GEN2/1/C/PART, TTC Industrial Area, MIDC, Juinagar, Navi Mumbai 400705, India

☎ +91-22-4967-1438 · ☎ +91-22-4967-1439 · o.ashar@wiska.in · www.wiska.in



Your Contact:

**WISKA India Pvt. Ltd.**

Mr. Omkar Ashar · Unit No.247/248,Raheja Tesla Industrial District II , Edison Bldg No.-1A,  
Plot No.GEN2/1/C/PART, TTC Industrial Area, MIDC, Juinagar, Navi Mumbai 400705, India

☎ +91-22-4967-1438 · ☎ +91-22-4967-1439 · o.ashar@wiska.in · www.wiska.in