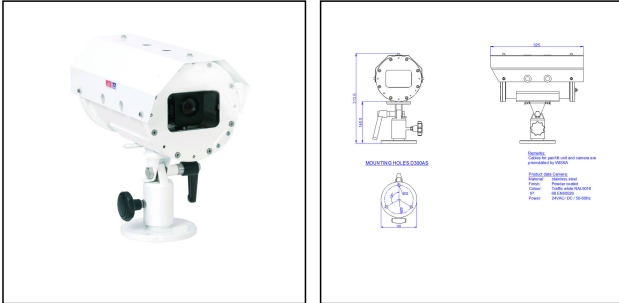


CH-EX260/4032H/D300AS

Ex outdoor network camera station, flameproof, Zone 1, IECEx



Products may differ in size, colour and appearance to those shown. If you require further information or customisation, please contact us directly.



Type	CH-EX260/4032H/D300AS
WISKA-Order no.	10112620
Material	Stainless steel
Surface	Powder coated
Colour	RAL 9016
Operational areas	Explosion protection
Zone	1
Explosion Groups	IIC
Temp.-class	T6
Type of protection	Ex d
Marking	II 2 D Ex tb IIC T85°C Db, II 2 G Ex db IIC T6 Gb
Weight	12 kg
Protection class	IP66, IP68 (0,2bar, 30min)
Temp. range min	-30 °C
Temp. range max	55 °C
Humidity	100 %
Wash&Wipe	No
Approval	TÜV NORD CERT
Resolution	2560x1440 (4MP)
Image Sensor	1/2.8" Starvis CMOS
Video Standard	Digital
Video Streaming	H.264/H.265/MJPEG
Zoom	Yes
Zoom (opt. x digi.)	512 (opt: 32x digi: 16x)
Frames per Second	30

Your Contact:

WISKA India Pvt. Ltd.

Mr. Omkar Ashar · Unit No.247/248,Raheja Tesla Industrial District II , Edison Bldg No.-1A,
Plot No.GEN2/1/C/PART, TTC Industrial Area, MIDC, Juinagar, Navi Mumbai 400705, India

+91-22-4967-1438 · +91-22-4967-1439 · o.ashar@wiska.in · www.wiska.in

Lighting Conditions	Low light
Min. illumination	0,005 lx / 0,0005 lx (b/w)
Angle of View (horizontal)	55.8° - 2.3°
Angle of View (vertical)	31.9° - 1.3°
Pan/Tilt	Hand operated
P/T-Type	D300AS
Presets P/T	No
Rotation horizontal	360 °
Rotation vertical	+80 ° / -80 °
Mounting	Upside
Vibration (0-100Hz)	1,4 g
Voltage	24 V
Type of Voltage	DC
Wattage	6 W
Junction box required	Yes
CCTV add-on	Back Light Compensation
Tariff number	85255000

Remarks:

CH EX260-U-03-M20-B-5m/D300AS
 Ex-Camera Station Outdoor CH-EX260,
 flame proof, Zone 1,
 IP66/IP68 (0,2bar 30min)
 Manual pan&tilt mounting bracket
 D300AS,
 Camera module:IP/POE
 Cable: 5 m MULTI-CAT5GL included
 connected to camera.
 Camera module: IP/POE,
 Resolution: max. 4MP (2560x1440)
 Lens: 4.8mm-154mm, autofocus
 Zoom: 32x
 ATEX:
 II 2 G Ex db IIC T6 Gb
 II 2 D Ex tb IIIC T85°C Db
 IECEX:
 Ex d IIC T6 Gb,
 Ex tb IIIC T85°C Db
 Junction-box: Type 510/11 not included!

Recommended accessories

Your Contact:

WISKA India Pvt. Ltd.

Mr. Omkar Ashar · Unit No.247/248,Raheja Tesla Industrial District II , Edison Bldg No.-1A,
 Plot No.GEN2/1/C/PART, TTC Industrial Area, MIDC, Juinagar, Navi Mumbai 400705, India

☎ +91-22-4967-1438 · ☎ +91-22-4967-1439 · o.ashar@wiska.in · www.wiska.in

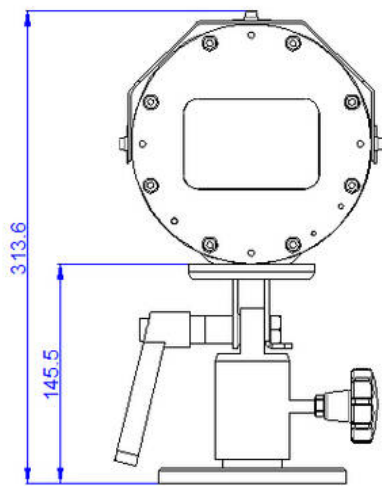
12.05.2026

Your Contact:

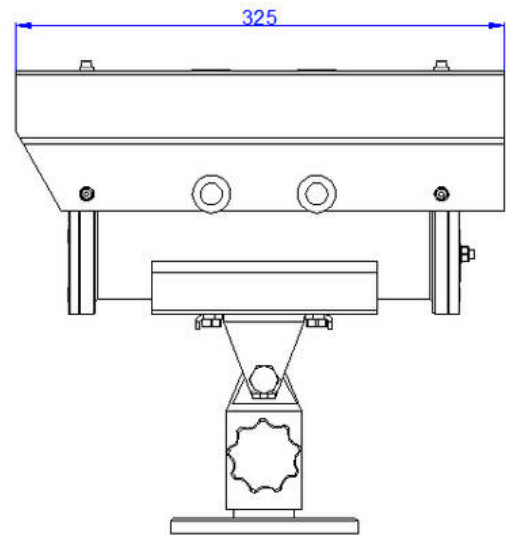
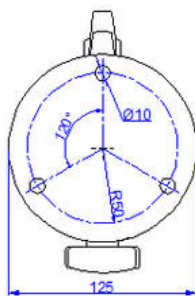
WISKA India Pvt. Ltd.

Mr. Omkar Ashar · Unit No.247/248,Raheja Tesla Industrial District II , Edison Bldg No.-1A,
Plot No.GEN2/1/C/PART, TTC Industrial Area, MIDC, Juinagar, Navi Mumbai 400705, India

☎ +91-22-4967-1438 · ☎ +91-22-4967-1439 · o.ashar@wiska.in · www.wiska.in



MOUNTING HOLES D300AS



Remarks:

Cables for pan/tilt unit and camera are preinstalled by WSKA

Product data Camera:

Material: stainless steel
Finish: Powder coated
Colour: Traffic white RAL9016
IP: 68 EN60529
Power: 24VAC/ DC / 50-60Hz

Your Contact:

WISKA India Pvt. Ltd.

Mr. Omkar Ashar · Unit No.247/248,Raheja Tesla Industrial District II , Edison Bldg No.-1A,
Plot No.GEN2/1/C/PART, TTC Industrial Area, MIDC, Juinagar, Navi Mumbai 400705, India

☎ +91-22-4967-1438 · ☎ +91-22-4967-1439 · o.ashar@wiska.in · www.wiska.in