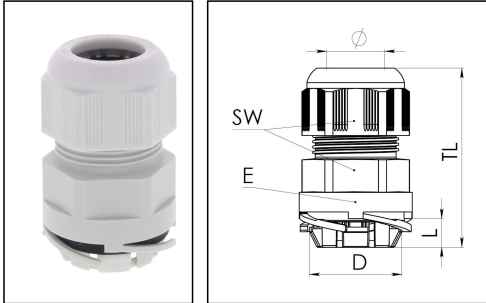


## ESKV-P 12 LG

Cable gland, plastic, M12, RAL 7035



Products may differ in size, colour and appearance to those shown. If you require further information or customisation, please contact us directly.



|                                 |                               |
|---------------------------------|-------------------------------|
| <b>Material</b>                 | Polyamide                     |
| <b>Material sealing gasket</b>  | on cable EPDM, on housing TPE |
| <b>Protection class</b>         | IP68                          |
| <b>Temp. range min</b>          | -40 °C                        |
| <b>Temp. range max</b>          | 100 °C                        |
| <b>Glow wire test</b>           | 750 °C                        |
| <b>Ø Connection thread D</b>    | 12                            |
| <b>Length screw-in thread L</b> | 6 mm                          |
| <b>Ø cable diameter min</b>     | 3 mm                          |
| <b>Ø cable diameter max</b>     | 7 mm                          |
| <b>Key width SW</b>             | 16 mm                         |
| <b>Collar diameter (E)</b>      | 19 mm                         |
| <b>Total length TL</b>          | 31 mm - 39 mm                 |
| <b>Ø Drilling</b>               | 12 mm - 12,2 mm               |
| <b>Wall thickness S</b>         | 0,5 mm - 3 mm                 |
| <b>Product Color</b>            | RAL 7035                      |
| <b>Type</b>                     | ESKV-P 12 LG                  |
| <b>Order no. RAL 7035</b>       | 10112627                      |
| <b>Packing unit</b>             | 50                            |
| <b>Tariff number</b>            | 39269097                      |
| <b>ETIM-Classification</b>      | EC000451                      |

### Recommended accessories

Your Contact:

WISKA India Pvt. Ltd.

Mr. Omkar Ashar · Unit No.247/248,Raheja Tesla Industrial District II , Edison Bldg No.-1A,  
Plot No.GEN2/1/C/PART, TTC Industrial Area, MIDC, Juinagar, Navi Mumbai 400705, India

☎ +91-22-4967-1438 · ☎ +91-22-4967-1439 · o.ashar@wiska.in · www.wiska.in

|                      |          |
|----------------------|----------|
| <b>RDE 12</b>        | 10062183 |
| <b>BS 7</b>          | 10064005 |
| <b>MFD 12/04/020</b> | 10064392 |
| <b>MFD 12/02/020</b> | 10100525 |

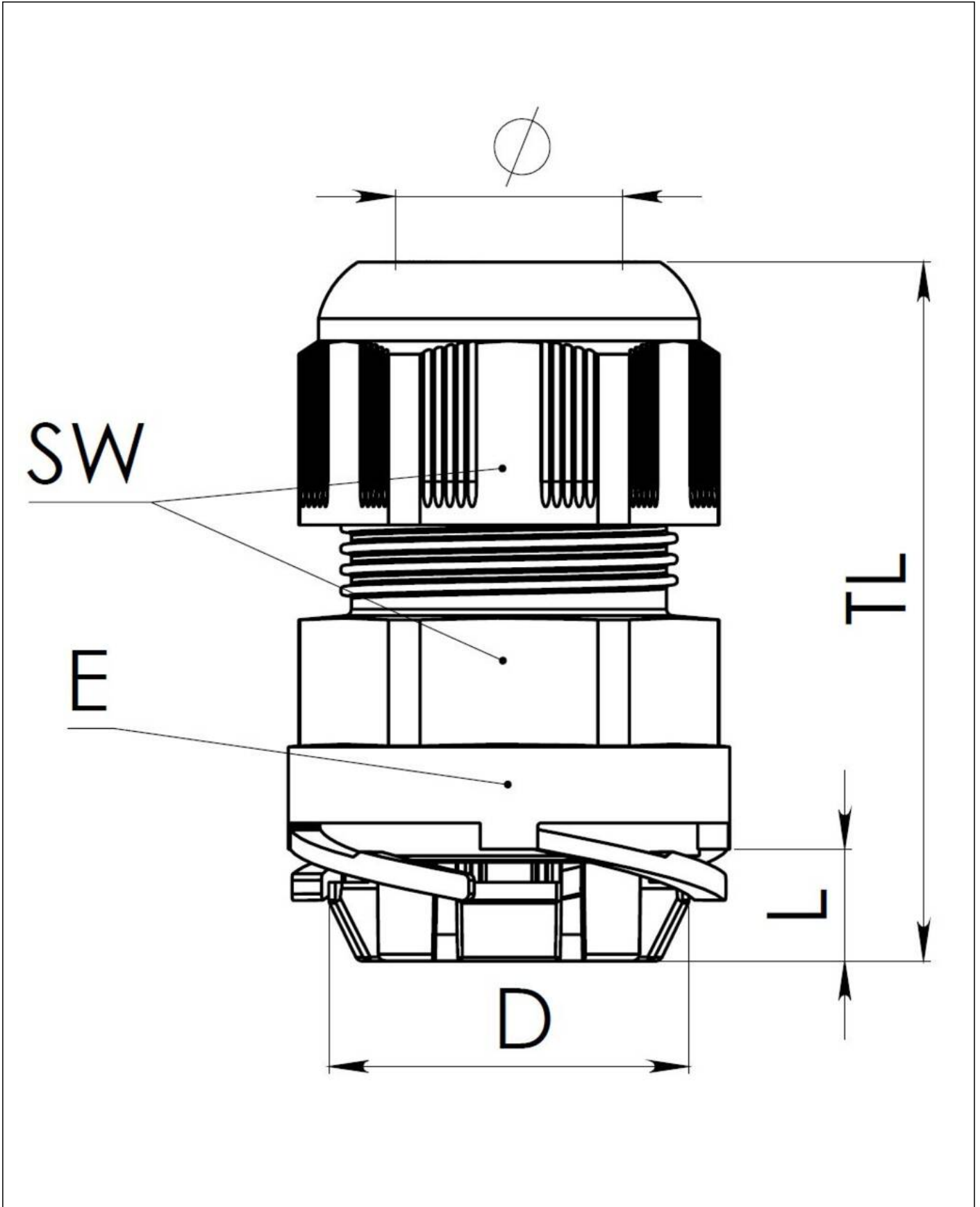
12.05.2026

Your Contact:

**WISKA India Pvt. Ltd.**

Mr. Omkar Ashar · Unit No.247/248,Raheja Tesla Industrial District II , Edison Bldg No.-1A,  
Plot No.GEN2/1/C/PART, TTC Industrial Area, MIDC, Juinagar, Navi Mumbai 400705, India

☎ +91-22-4967-1438 · ☎ +91-22-4967-1439 · o.ashar@wiska.in · www.wiska.in



Your Contact:

**WISKA India Pvt. Ltd.**

Mr. Omkar Ashar · Unit No.247/248,Raheja Tesla Industrial District II , Edison Bldg No.-1A,  
Plot No.GEN2/1/C/PART, TTC Industrial Area, MIDC, Juinagar, Navi Mumbai 400705, India

☎ +91-22-4967-1438 · ☎ +91-22-4967-1439 · o.ashar@wiska.in · www.wiska.in

Other technical data on request / subject to change without notice