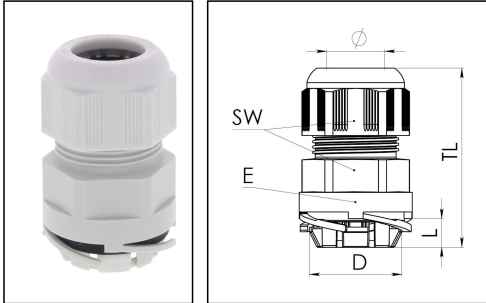


ESKV-P 16 LG

Cable gland, plastic, M16, RAL 7035



Products may differ in size, colour and appearance to those shown. If you require further information or customisation, please contact us directly.



Material	Polyamide
Material sealing gasket	on cable EPDM, on housing TPE
Protection class	IP68
Temp. range min	-40 °C
Temp. range max	100 °C
Glow wire test	750 °C
Ø Connection thread D	16
Length screw-in thread L	6 mm
Ø cable diameter min	4,5 mm
Ø cable diameter max	10 mm
Key width SW	20 mm
Collar diameter (E)	24 mm
Total length TL	36 mm - 43 mm
Ø Drilling	16 mm - 16,2 mm
Wall thickness S	1 mm - 3 mm
Product Color	RAL 7035
Type	ESKV-P 16 LG
Order no. RAL 7035	10112628
Packing unit	50
Tariff number	39269097
ETIM-Classification	EC000451

Recommended accessories

Your Contact:

WISKA India Pvt. Ltd.

Mr. Omkar Ashar · Unit No.247/248,Raheja Tesla Industrial District II , Edison Bldg No.-1A,
Plot No.GEN2/1/C/PART, TTC Industrial Area, MIDC, Juinagar, Navi Mumbai 400705, India

☎ +91-22-4967-1438 · ☎ +91-22-4967-1439 · o.ashar@wiska.in · www.wiska.in

RDE 16	10062184
BS 10	10064008
MFD 16/02/040	10064393
MFD 16/03/021	10101014

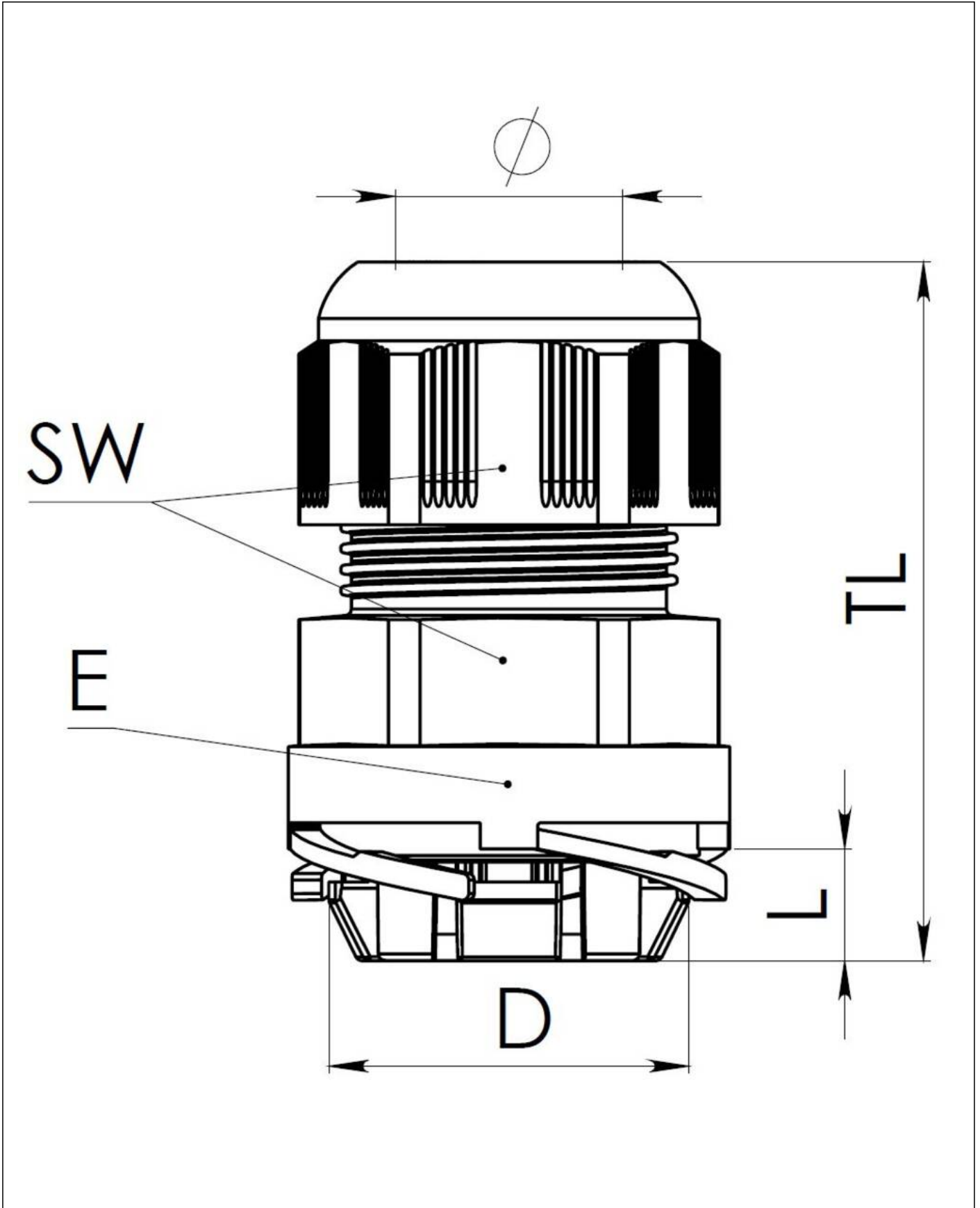
12.05.2026

Your Contact:

WISKA India Pvt. Ltd.

Mr. Omkar Ashar · Unit No.247/248,Raheja Tesla Industrial District II , Edison Bldg No.-1A,
Plot No.GEN2/1/C/PART, TTC Industrial Area, MIDC, Juinagar, Navi Mumbai 400705, India

☎ +91-22-4967-1438 · ☎ +91-22-4967-1439 · o.ashar@wiska.in · www.wiska.in



Your Contact:

WISKA India Pvt. Ltd.

Mr. Omkar Ashar · Unit No.247/248,Raheja Tesla Industrial District II , Edison Bldg No.-1A,
Plot No.GEN2/1/C/PART, TTC Industrial Area, MIDC, Juinagar, Navi Mumbai 400705, India

☎ +91-22-4967-1438 · ☎ +91-22-4967-1439 · o.ashar@wiska.in · www.wiska.in

Other technical data on request / subject to change without notice